

GERMAN  
POOL



德國寶

# 真空無線控溫電熱水壺

Cordless Temperature Control Vacuum Kettle

# KTV-215



在使用之前請詳細閱讀「使用說明書」及「保用條例」，並妥為保存。  
Please read these instructions and warranty information carefully before use and keep them handy for future reference.

即時網上登記保用  
Online Warranty Registration



使用說明書 USER MANUAL

# 目錄 Table of Contents

安全注意事項 Notice Before Use 03

產品結構 Product Structure 05

操作說明 Operating Instructions 06

重要說明 Important Notice 08

清潔與保養 Cleaning and Maintenance 09

技術規格 Technical Specifications 09

常見問題及解決方案 Troubleshooting 10

電路原理圖 Circuit Diagram 10

保用條款 Warranty Terms & Conditions 11

# 安全注意事項 Notice Before Use

## 重要說明

為保證使用安全，使用本產品前請務必遵守以下安全注意事項。

- 本產品只可用於指定用途。
- 本產品只供家居或以下類似場所使用：
  - 商場、辦公室或其他工作場所的員工廚房；
  - 在酒店、旅館或其他寄宿型場所中的顧客可用；
  - 住宿加早餐型旅館。
- 使用前請確保本產品銘牌標記的電壓與當地供電電壓相符合。若不符合，請勿使用。
- 必須將電源插頭有效的插入到帶有可靠接地的電源插座上使用。
- 本產品僅在提供的電源底座上使用。電源底座不可用於其他用途。
- 使用時，產品應放置在平穩的支撐面上，以及嬰幼兒觸及不到的地方，避免出現燙傷等危險。
- 本產品不適於肢體、感知或精神能力缺陷、缺乏經驗和知識的人群（包括幼兒、兒童）使用，除非該人士得到負責保障其安全的人士的監管或指引。
- 切勿讓兒童把玩本機；勿讓兒童在無看管的情況下使用、清潔或維修保養本機。
- 嚴禁將本產品置於明火、電爐等熱源上加熱，或在熱源旁使用。
- 本產品只限家庭和室內使用，切勿於室外使用。
- 電源線不可懸掛在桌子邊緣或者接觸到高溫表面，以防損壞電源線。
- 如果電源軟線損壞，請勿使用本機。為了避免危險，必須由製造商、其維修部或類似的專業人員更換。

## Important

For safety purpose, please observe the following safety precautions.

- DO NOT use for other than intended use.
- The appliance is intended to be used in household and similar appliances as:
  - Staff kitchen areas in shops, offices and other working environments
  - By clients in hotels, motels and other residential type environments
  - Bed and breakfast type environments
- Before connecting to the power supply, check that the voltage indicated on the appliance corresponds with the voltage at your home. If not, DO NOT use the kettle.
- The power plug should be inserted into grounded socket, and ensure it's well grounded.
- The kettle needs to be used with the attached power base. The power base CANNOT be used for other purposes.
- Ensure that the kettle is operated on a firm and flat surface where the children can't reach.
- This appliance is not intended to be used by persons (including children) with reduced physical, sensory or mental capabilities, of lack of experience and knowledge, unless they have been given supervision or instruction.
- Children being supervised not to play with the appliance. DO NOT let children use the appliance. Cleaning and user maintenance shall not be made by children without supervision
- This product CANNOT be placed on the heated surface or near a hot gas stove or electric burner or in a heated oven.
- This product is only intended for use in households, and DO NOT use outdoors.
- DO NOT let the power cord hang over the edge of a table or bench top or touch any hot surface, to avoid damage.
- DO NOT operate the appliance with a damaged cord or plug and any malfunctions. It must be repaired by the manufacturer, its service centre or similarly qualified electricians in order to avoid a hazard.

## 安全注意事項 Notice Before Use

- 本產品只可用於煲水，嚴禁使用本產品存放和烹飪咖啡、茶等酸、鹼性食物或酒等化學品。
- 請不要在無水狀態下啟動加熱功能，可能會造成不可逆轉的損壞。如果不慎錯誤操作啟動了加熱，應立即關閉電源開關約15分鐘後，再裝入水冷卻。
- 注水時請勿超過最大水位線，以防沸騰濺出。
- 煲水時，請確保壺蓋正確蓋好，以防蒸氣噴出；水壺工作過程中，不可打開壺蓋，以免燙傷。
- 煲水時，水壺表面會很熱，不要接觸高溫表面及壺口，切勿移動或打開壺蓋，以免被燙傷。僅使用手柄及開關按鈕。
- 當壺未冷卻，需要再次煲水時，請小心打開壺蓋，以免餘熱燙傷。
- 請勿於煲水過程中移動本產品。煲水完畢後，先關閉電源開關，再將水壺移開電源底座。
- 倒水時，請小心慢倒，以免沸水濺出燙傷人。
- 為確保安全，請勿於煲水完畢後立即重啟工作。一般情況下，讓水壺靜置25分鐘左右，待壺內溫度降至90°C以下後方可重啟工作（視不同使用環境而有所差異）。
- 請勿倒轉水壺，以防蒸氣或高溫水滴造成燙傷。
- 煲水完畢後，建議按住倒水按鈕數秒，以釋放壺內的壓力。
- 不使用時或清潔前，請關閉電源並將電源插頭從插座中拔出，待壺身冷卻後方可進行清潔。
- 嚴禁將產品及電源底座浸入水中或其他液體，以防觸電。
- 非專業人士切勿隨意拆卸產品，以免發現電擊危險或造成產品故障。
- 維修時，不可使用非生產廠家所推薦的零配件，以免引起火災、漏電或造成其它傷害。

- The kettle can only be used to boil water; DO NOT use it to cook coffee, tea, or chemicals such as alcohol.
- DO NOT heat without water, which might destroy the heating element. Should you accidentally allow the kettle to operate with not enough water or without water, unplug the kettle and cool it down for 15 minutes before refilling.
- DO NOT exceed the maximum level in case of scald.
- Always ensure the lid is firmly closed and DO NOT open lid while water is boiling to avoid being scalded.
- The kettle will be hot when boiling. DO NOT touch the spout or open the lid just after the boiling. DO NOT move the appliance when switched on. Only handle and control buttons can be touched.
- To avoid scalding, carefully open the lid when you need to boil water while the kettle is still hot.
- DO NOT move the kettle when in use. Turn off the power before moving the kettle from the power base.
- Pour hot water slowly and carefully to avoid scald.
- For safety concern and energy saving, the appliance CANNOT re-start immediately after boiling. It can be restarted only when the temperature inside is below 90°C. Normally the recovery time is about 25 minutes (it varies depending on different operating environment).
- DO NOT overturn the appliance. The lid is not fully sealed in order to release the steam during boiling. Small trickle of water will escape when overturned.
- After boiling, it is recommended to press the pouring lock for seconds before pouring water, to depressurize the steam inside.
- Always unplug the product from outlet when not in use and before cleaning. Allow the kettle to cool down before cleaning.
- DO NOT immerse the product and power base into water or any other liquid to prevent from electric shock.
- Non-professionals are not allowed to disassemble the appliance, to avoid electric shock or damages to the product.
- DO NOT use spare and accessory parts without the approval by the manufacturer, in case of fire, electric leakage and injury.

## 產品結構 Product Structure



### 裝箱明細 Accessories

名稱 Item	真空電熱水壺 Vacuum Water Kettle	電源底座 Power Base	說明書 User Manual	保用登記卡 Warranty Card
數量 Amount	1個 1pc	1個 1pc	1個 1pc	1個 1pc

# 操作說明 Operating Instructions

注意：初次使用前，建議先把水壺清潔乾淨，方法如下：

將水壺注入適量的水，不能超過最大水位線，煲滾水後把水全部倒出，如上重複兩次即可使用。

NOTE: Before first use of the kettle, clean the kettle according to the following steps:

Fill the kettle with water up to the maximum water level, boil and discard, and repeat it twice.

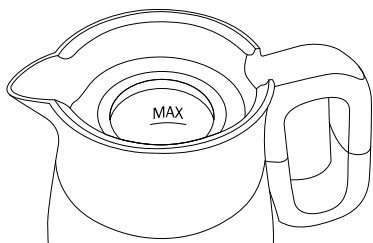


## 使用步驟

1. 將水壺從電源底座提起，將壺蓋安全鎖往內壓打開壺蓋，注水入壺內，然後蓋上壺蓋。

注意：

- 注水時請勿超過最大水位線，以防沸水濺出。
- 開機前，確保壺蓋緊密扣合好。
- 請確保壺身及電源底座保持乾燥、潔淨。



2. 將水壺放置於電源底座上，插上電源，進入待機狀態。

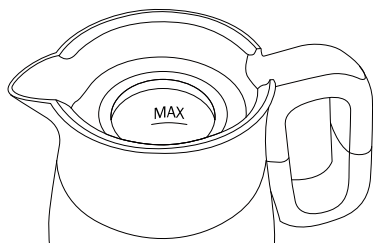
待機狀態下可檢測壺內水溫，如果未放水壺，底座上無顯示；在待機狀態下按電源開關，水壺開始煲水，默認設置水煲到100°C後斷電，進入待機狀態並發出“嘀”聲(當前水溫與設定溫度差5°C時，按電源開關鍵無回應)。

## Operation Steps

1. To fill the kettle, remove it from the power base and open the lid and fill water. Put the lid back after filling water.

NOTE:

- DO NOT fill the kettle over the maximum level, in case of water spilling out.
- Make sure the lid is closed firmly before connecting to power supply.
- Make the body and power base dry and clean.



2. Place the kettle on the power base and connect to power supply. The kettle is in standby mode.

In standby mode, the display will show the internal water temperature. The display will show nothing if the kettle is not placed on the base. In standby mode, press the power switch to start boiling water. The preset temperature is 100°C, and then the kettle will cut off and enter standby mode with a “beep” sound. (there will be no response if the difference between current water temperature and set temperature is within 5°C).

# 操作說明 Operating Instructions

3. 按開關鍵啟動水壺，按“+”或“-”鍵設置水溫(40°C-100°C)。當壺內水溫低於設置水溫時，顯示屏上的設置溫度閃爍三次，開始加熱，水溫達到設置溫度後，停止加熱，進入待機狀態，發出“嘀”提示音。當壺內水溫高於設置水溫時，顯示屏上的設置溫度閃爍三次後，顯示當前壺內水溫。

注意：

每按一次“-”鍵，設置溫度減5°C，減到40°C後，按“-”鍵則返回到100°C，如此循環；

每按一次“+”加鍵，設置溫度加5°C，加到100°C後，按“+”鍵則返回到40°C，如此循環。

4. 按保溫鍵進入保溫狀態，顯示屏顯示“WARM”，可按“+”或“-”鍵設置保溫溫度(40°C-95°C)，保溫時間4小時。再次按下保溫鍵即可關閉保溫功能。
5. 煲水完畢後，把水壺從電源底座上提起，然後按下倒水按鈕即可將水倒入杯中。

注意：

倒水時請小心燙傷，請勿打開壺蓋，以免燙傷。

6. 不使用本機時，請拔下電源插頭，清洗並晾乾，然後放置在電源底座上。

3. Press the power switch to start boiling water. Press the “+” or “-” button to set temperature (40°C-100°C). When the internal water temperature is lower than the set temperature, the kettle will start heating up after the display on screen blinks 3 times. When reaching the set temperature, the kettle stops heating and enters to standby mode with a “beep” sound. When the internal water temperature is higher than the set temperature, the display on screen blinks 3 times and shows the current water temperature without heating up.

NOTE:

The set temperature decreases 5°C by every press of “-” button. When it decreased to 40°C, press the “-” button again, the display will turn back to 100°C; the set temperature increases 5°C by every press of “+” button. When it increased to 100°C, press the “+” button again, the display will turn back to 40°C.

4. Press the keep warm button to enter keep warm mode. The screen displays “WARM”. Press “+” or “-” button to set keep warm temperature(40°C-95°C). The keep warm time is 4 hours. Press the button again to shut off keep warm function.

5. After boiling, lift the kettle from the power base, press the pouring lock and pour the water.

NOTE:

Do not open the lid when pouring the water, scald risk from hot water.

6. Unplug the appliance while it is not in use, clean and let it dry, and then place it on the base.

## 重要說明 Important Notice

1. 注水時請勿超過最大水位線，以防沸水濺出造成燙傷。
2. 開機前，確保壺蓋緊密扣合好。
3. 壺身放入底座前，先將底部擦乾，確保底座潔淨乾燥。
4. 若當前壺內水溫與設置水溫之間的溫度差小於5°C，本機將不會啟動加熱。
5. 清洗時，不可使用化學清潔劑、鋼絲球等金屬製潔具、木屑或其他研磨劑。
6. 產品最高加熱溫度為100°C。加熱時，可按開關鍵停止加熱，進入待機狀態。
7. 待機狀態下，30秒內無任何操作，顯示屏燈將熄滅。按任意按鈕，顯示屏燈將再次亮起，並顯示當前壺內水溫。按“+”或“-”鍵時，顯示屏將顯示設置溫度，在待機或加熱狀態下皆可調節溫度。
8. 當水溫到達設置溫度後，水壺停止加熱，進入待機狀態並發出“嘀”提示音。
9. 當水壺未正確放置在電源底座上時，顯示屏顯示“---”。除煲水過程中外，30秒內無任何操作，顯示屏燈將熄滅。
10. 若水壺意外發生無水乾燒情況，乾燒保護裝置會自動切斷電源。如需再煲水，請先等水壺冷卻後再注入冷水。
1. Make sure the water inside the appliance is not over the maximum water level, in case of spill and scald.
2. Make sure the lid is firmly locked before connecting to the power supply.
3. Make sure the base is dry and clean before placing it on the power base.
4. If the difference between current water temp. and the set temp. is within 5°C, the power will be off and the kettle will not start heating.
5. DO NOT use chemicals, metal scourers, saw dust or other abrasive cleaners to clean the kettle.
6. The highest temperature can be set is 100°C. To stop heating, press the power switch again.
7. In standby mode, the screen light will be off without operation within 30 seconds. Press any button to activate the screen and the screen indicates the current internal temperature. The screen will display the set temperature if “+” or “-” button being pressed. Temperature can be adjusted in both standby and heating mode.
8. When the water reached the set temp., the appliance will stop heating and enter into standby mode with a “beep” sound.
9. The indicator will display “---” if no kettle on the power base. Except in heating mode, the indicator light will be off if no operation within 30 seconds.
10. Should you accidentally operate the kettle without water, the boil-dry protection will automatically switch it off. In this condition, let the kettle cool down before filling with cold water and re-boiling.

## 清潔與保養 Cleaning and Maintenance

注意：清潔前請把水壺電源插頭拔下，待壺身冷卻後才進行清潔。

切勿不可將水壺或電源底座浸入水中或淋濕，以防出現漏電觸電危險。

NOTE: Always disconnect the kettle from the power outlet and let the kettle cool down before cleaning.

NEVER immerse the kettle or power base into water, or allow moisture to come into contact with these parts, in case of electric leakage.

觀看清潔視頻  
Cleaning Video Tutorial



### 外觀清潔

用濕軟布清潔水壺外表面，再用乾布擦乾即可。

### Exterior cleaning

Wipe over the exterior of the kettle with a soft damp cloth, and then wipe dry with a dry cloth.

### 清除沉澱物

自來水或非蒸餾水中的礦物質可能會沉積在水壺底部導致污垢，從而影響產品性能。請使用除垢劑並參照其使用說明定期對水壺進行除垢操作。也可以按照下面的方法使用白醋除垢：

1. 在水壺里加3杯白醋，再加入水，直至醋水混合物完全浸沒水壺內的沉澱物，浸泡一整晚。
2. 倒出水壺內的混合物，再往壺內注入純淨水到最大水位線，煲滾後將水倒掉。再重複幾次，直到水壺內沒有醋味。

### Remove the limescale

Minerals in water may deposit at the bottom of kettle, which will influence the usability of the kettle. Periodical descaling is needed. Please use detergents according to its instruction or clean with vinegar according to the following steps:

- 不使用本機或儲存本機的時候，可將電源線纏繞在底座底部的繞線槽內。

- a) Fill the kettle with 3 cups of white vinegar, and then add water until it is over the deposit in the kettle. Leave it to stand overnight.
- b) Empty the solution from the kettle. Fill the kettle with clean water to the maximum level, discard after boiling. Repeat for several times until there is no taste of vinegar.

- When the kettle is in storage or not in use, please wrap the power cord to the bottom of power base.

## 技術規格 Technical Specifications

型號 Model	KTV-215
電壓 Voltage	220-240V~50/60Hz
功率 Power	1,500-1,800W
容量 Capacity	1.5 L
機身尺寸 Dimensions	(H)243mm (W)208mm (D) 153mm
淨重 Net Weight	1.82kg

產品規格及設計如有變更，恕不另行通知。

中英文版本如有出入，一概以英文版為準。

本產品使用說明書以www.germanpool.com網上版為最新版本。

Specifications are subject to change without prior notice.

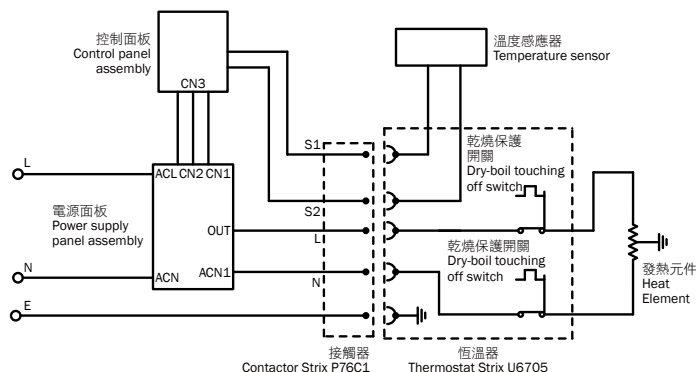
If there is any inconsistency or ambiguity between the Chinese version and the English version, the English version shall prevail. Refer to www.germanpool.com for the most up-to-date version of the User Manual.

# 常見問題及解決方案 Troubleshooting

如遇以下一般故障，請按建議指示處理，如仍處理不了或未發現故障原因，請與本公司客戶服務及維修中心聯繫

故障現象 Problem	可能原因 Possible Cause	處理方法 Solution
指示燈不亮 The indicator light is not on	插頭未插好或停電 The plug is not connected correctly or power failure	檢查插頭是否插好 Check if the plug is connected correctly
	線路板故障 Circuit board malfunction	聯絡客戶服務及維修中心 Contact customer service and repair centre
	指示燈壞 Indicator light malfunction	聯絡客戶服務及維修中心 Contact customer service and repair centre
水壺不加熱 The kettle is not heating	發熱管故障 Heating element malfunction	聯絡客戶服務及維修中心 Contact customer service and repair centre
	溫控器故障 Thermostat malfunction	聯絡客戶服務及維修中心 Contact customer service and repair centre
	水壺乾燒保護 Boil-dry protection is activated	關閉電源，往水壺內加入適量冷水 Turn off the kettle, and pour in cold water
水沸但不斷電 Water is boiled but the power is still on	機器故障 Machine error	聯絡客戶服務及維修中心 Contact customer service and repair centre
水未沸已斷電 Water is not boiled but the power is off	水壺內水垢太厚引起 Too much limescale	清除水垢 Remove the limescale
	機器故障 Machine error	聯絡客戶服務及維修中心 Contact customer service and repair centre

# 電路原理圖 Circuit Diagram



# 保用條款

此保用提供德國寶產品之機件在正常使用下壹年保用 (自購買日起計算)。

\* 貴戶須在購機十天內，以下列其中一種方式向本公司登記資料，保用手續方正式生效：

1) 填妥本公司網頁內之保用登記表格

[www.germanpool.com/warranty](http://www.germanpool.com/warranty)

2) 填妥保用登記卡，郵寄至本公司。



# Warranty Terms & Conditions

Under normal operations, the product will guarantee a 1-year full warranty provided by German Pool (effective from the date of purchase).

\* This warranty is not valid until customer registration information is received by our Service Centre within 10 days of purchase via one of the following means:

1) Visit our website and register online:

[www.germanpool.com/warranty](http://www.germanpool.com/warranty)

2) Complete all the fields on the attached Warranty Card and mail it back to our Customer Service Centre.



另請填妥以下表格並與正本發票一併保存，以便維修時核對資料。用戶提供之所有資料必須正確無誤，否則免費保用將會無效。 Please fill out the form below. This information and the original purchase invoice will be required for any repairs. Warranty will be invalidated if information provided is found to be inaccurate.

型號 Model No. : **KTV-215**

機身號碼 Serial No. : \_\_\_\_\_ 發票號碼 Invoice No. : \_\_\_\_\_

購買商號 Purchased From : \_\_\_\_\_ 購買日期 Purchase Date : \_\_\_\_\_

- 未能出示購買發票正本者，將不獲免費維修服務。
  - 用戶應依照說明書的指示操作。本保用並不包括：
    - 上門安裝、檢驗、維修或更換零件之人工以及一切運輸費用；
    - 因天然與人為意外造成的損壞 (包括運輸及其他)；
    - 電源接合不當、不依說明書而錯誤或疏忽使用本機所引致之損壞。
  - 於下列情況下，用戶之保用資格將被取消：
    - 購買發票有任何非認可之刪改；
    - 產品被用作商業或工業用途；
    - 產品經非認可之技術人員改裝或加裝任何配件；
    - 機身編號被擅自塗改、破壞或刪除。
  - 總代理有權選擇維修或更換配件或其損壞部份。
  - 產品一經被轉讓，其保用即被視作無效。
- Customer who fails to present original purchase invoice will not be eligible for free warranty service.
  - Customer should always follow the operating instructions. This warranty does not apply to:
    - labour costs for on-site installation, check-up, repair, replacement of parts and other transportation costs;
    - damages caused by accidents of any kind (including material transfer and others);
    - operating failures resulting from applying incorrect voltage, improper usage, and unauthorized installations or repairs.
  - This warranty is invalid if:
    - the purchase invoice is modified by an unauthorized party;
    - the product is used for any commercial or industrial purposes;
    - the product is repaired or modified by unauthorized personnel, or unauthorized parts are installed;
    - the serial number is modified, damaged or removed from the product.
  - German Pool will, at its discretion, repair or replace any defective part.
  - This warranty will be void if there is any transfer of ownership from the original purchaser.

## 客戶服務及維修中心

香港

九龍灣啟興道1-3號

九龍貨倉10樓

電話：+852 2333 6249

傳真：+852 2356 9798

電郵：repairs@germanpool.com

澳門

澳門俾利喇街145號

寶豐工業大廈3樓

電話：+853 2875 2699

傳真：+853 2875 2661

## Customer Service & Repair Centre

Hong Kong

10/F, Kowloon Godown

1-3 Kai Hing Road, Kowloon Bay,

Kowloon, Hong Kong

Tel : +852 2333 6249

Fax : +852 2356 9798

Email : repairs@germanpool.com

Macau

3/F, Edificio Industrial Pou Fung,

145 Rua de Francisco Xavier Pereira,

Macau

Tel : +853 2875 2699

Fax : +853 2875 2661

此保用只適用於香港及澳門

This warranty is valid only in Hong Kong and Macau

**GERMAN POOL**  **德國寶**

德國寶(香港)有限公司 German Pool (Hong Kong) Limited

**香港  
Hong Kong**

香港九龍土瓜灣馬頭角道116號  
新寶工商中心2期113號室  
Room 113, Newport Centre Phase II, 116 Ma Tau  
Kok Road, Tokwawan, Kowloon, Hong Kong.  
電話 Tel: +852 2773 2888  
傳真 Fax: +852 2765 8215

**中國  
China**

廣東省佛山市順德區  
大良南國東路德順廣場三層  
3/F, Takshun Plaza, Nanguo East Road,  
Shunde, Foshan, Guangdong  
電話 Tel: +86 757 2980 8308  
傳真 Fax: +86 757 2980 8318

**澳門  
Macau**

澳門俾利喇街145號  
寶豐工業大廈3樓  
3/F, Edificio Industrial Pou Fung,  
145 Rua de Francisco Xavier Pereira, Macau  
電話 Tel: +853 2875 2699  
傳真 Fax: +853 2875 2661



香港名牌十年成就獎  
HONG KONG TOP BRAND TEN YEAR  
ACHIEVEMENT AWARD



香港(S-MARK)  
安全認證



中國標榜/家電行業  
十大影響力品牌

**CEO**

CEO非凡品牌大賞



香港優質商標



香港工商業獎



最具素質  
創建品牌企業獎

**商**

香港中小企業  
最佳拍檔大獎



香港消費者推選品牌



香港《O夢》  
優質服務證書

© 版權所有。未獲德國寶授權，不得翻印、複製或使用本說明書作任何商業用途，違者必究。

© All rights reserved. Copying, reproducing or using the contents of this manual is not allowed without prior authorization from German Pool, violators will be prosecuted.

[www.germanpool.com](http://www.germanpool.com)