

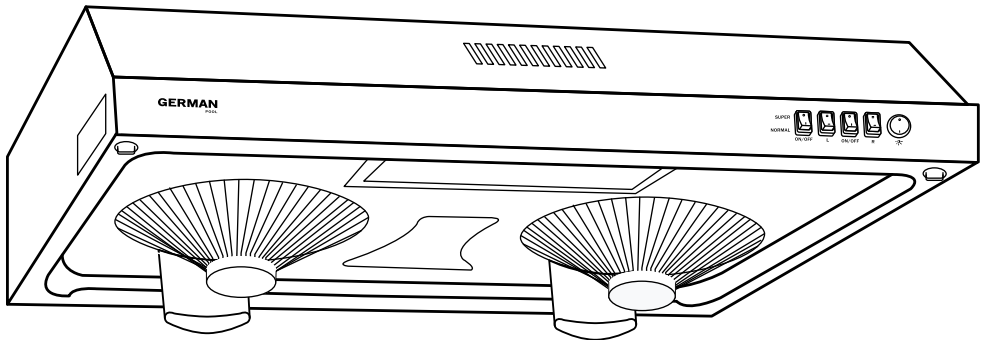
GERMAN
POOL



德國寶

台式抽油煙機
Wall-Mount Range Hood

TOR-721
TOR-723
TYP-716
TYP-717



在使用之前請詳細閱讀「使用說明書」及「保用條例」，並妥為保存。
Please read these instructions and warranty information carefully before use and keep them handy for future reference.



使用說明書 OPERATING INSTRUCTIONS

目錄 Table Of Contents

注意事項 Notice Before Use 02

產品結構 Product Structure 04

- TOR-721 / TOR-723

- TYP-716 / TYP-717

安裝說明 Installation Instructions 06

清潔與保養 Care & Maintenance 07

技術規格 Technical Specifications 08

保用條款 Warranty Terms & Conditions 09

注意事項 Notice Before Use

重要說明

為安全起見，初次使用產品前請先細閱本說明書，並保存說明書，以便作參考之用。

本產品只供家居使用。請必須依照本說明書內的指示安裝及操作。

Important

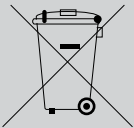
For safety purpose, you should read the instructions carefully before using the appliance for the first time. Save the instructions for future reference.

The appliance is designed for domestic use and may only be installed and operated in accordance with these instructions for use.

1. 本產品並不適用於兒童、身體或心智殘障、缺乏經驗或知識的人士使用和玩樂，除非該人士得到負責保障其安全的人士的監管或指引。
2. 請將產品遠離兒童。不要讓兒童單獨使用本產品。
3. 為免發生危險，若發現電源線有任何損壞，必須停止使用產品，並立即聯絡本公司或合資格技術人員進行更換。
4. 清潔、維修或拆除抽油煙機前應先切斷電源。
5. 電源插座必須安裝接地線。
6. 請接駁獨立排氣喉將油煙排往室外。
7. 抽油煙機頂部的圓形接駁口須接駁排氣喉來把油煙排出室外，應使用6吋直徑排氣喉。
8. 請勿直接潑水噴淋機身以免損壞電器機件。
9. 抽油煙機安裝於氣體爐上方時，抽油煙機底部距離爐面 $700\pm 50\text{mm}$ 之間為宜。
10. 切勿在抽油煙機下直接燃點明火。
1. The appliance is not intended for the use of, and playing with, by persons (including children) with reduced physical, sensory or mental capabilities, or any individual lacking experience and knowledge, unless they have been given supervision or instruction.
2. Keep children away from the appliance. Do not let them use the appliance without supervision.
3. If the power supply cord is damaged, do not operate the appliance. Contact German Pool or a licensed technician for replacement immediately.
4. Disconnect the power supply before cleaning.
5. The range hood must be earthed.
6. Connect the range hood with an independent air vent for exhausting fumes to the exterior.
7. The connection opening at the top of the range hood is to be connected to the exhaust pipe for exhausting fumes into the air vent. Exhaust pipe of 6 inches in diameter should be used.
8. To protect electrical parts, do not splash or spray the range hood with water.
9. The appliance should be positioned $700\pm 50\text{mm}$ above the cooking range.
10. Do not flambe under the range hood.

注意事項 Notice Before Use

11. 德國寶抽油煙機抽吸力特強，大部分油煙在抽油煙機操作時已被抽出室外，故此油杯的油污量很少，請放心使用。
 12. 抽油煙機不可與燃氣或使用其他能源之器具共同使用同一排放管道。
 13. 當使用抽油煙機時，如房間內同時使用燃氣或其他能源的器具，房間必須有足夠通風。
 14. 用戶必須遵照有關排放空氣的條例來安裝及使用本產品。
 15. 抽油煙機的風輪及易沾油污的部份之表面均須最少每星期進行清洗一次，避免油污因長時間積聚而引致火警危險。
 16. 安裝、清潔、更換燈泡及拆除抽油煙機時請戴上安全手套，以免受傷。
11. German Pool range hood has high venting efficiency. Most of the grease vapor will be exhausted through the air vent when the range hood is in operation. Hence only very little amount of residual oil will be collected in the oil container.
 12. The air must not be discharged into a venting pipe that is used for exhausting fumes from appliances burning gas or other fuels.
 13. There should be adequate ventilation of the room when the range hood is used along with appliances that burn gas or other fuels.
 14. Regulations concerning the discharge of air have to be fulfilled.
 15. To prevent fire hazard in case of oil build-up, the turbine impellers and other easily-soiled parts must be cleaned at least once a week.
 16. Please wear safety gloves for installation, cleaning, light bulb changing and dismantling in order to prevent injuries.



注意

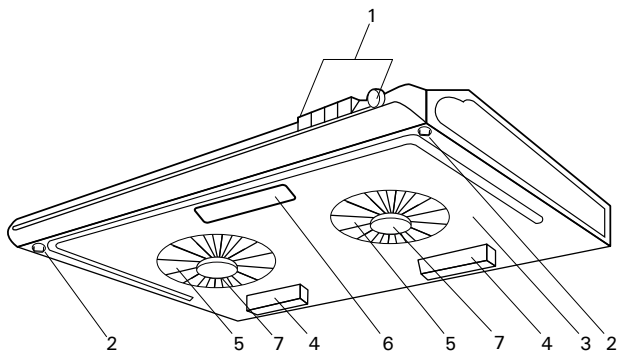
此標誌表示本產品在歐盟地區範圍內不得與其他家居垃圾一併棄掉。為避免不受控制的廢物處理危害環境或人類健康的可能性，請循環使用可再用物料。請善用社區回收系統或聯絡本產品的銷售商協助回收已用的電器來進行環保處理。

Attention

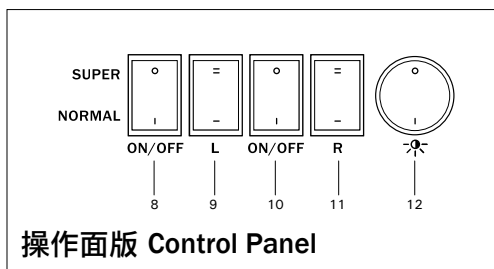
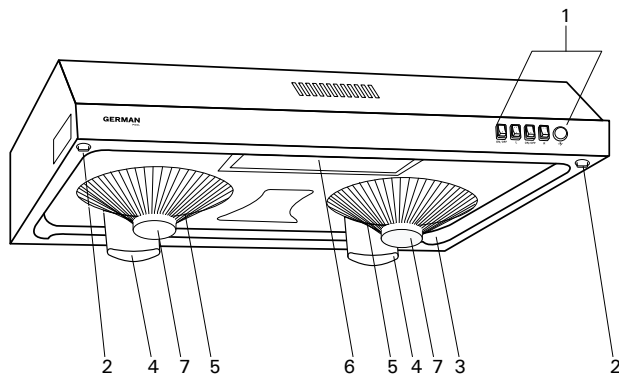
This symbol indicates that this product should not be disposed with other household wastes throughout the E.U. To prevent possible harm to the environment or human health from uncontrolled waste disposal, recycle it responsibly to promote the sustainable reuse of material resources. To return your used device, please use the return and collection systems or contact the retailer from where the product was purchased. They can take this product for environmentally safe recycling.

產品結構 Product Structure

TOR-721



TOR-723

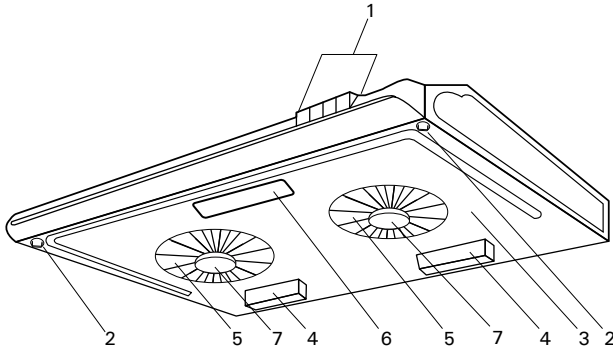


1. 操作面版 Control Panel
2. 易拆式旋鈕 (一對) Bottom Cover Knob (1 pair)
3. 底蓋 Bottom Cover
4. 油杯 (一對) Oil Container (1 pair)
5. 風網 (一對) Fan Grille (1 pair)
6. 照明燈 Lighting
7. 防漏油碟 (一對) Oil Collector (1 pair)

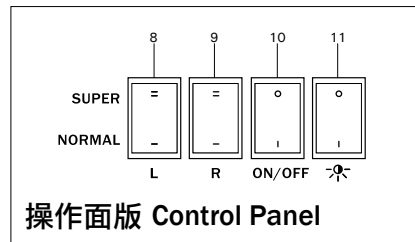
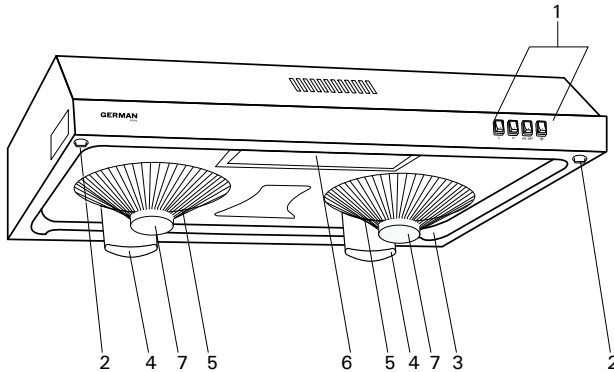
8. 風機開關 (左) Left Fan On/Off Switch
9. 速度調校掣 (左) Left Speed Control
= 高速 Super - 低速 Normal
10. 風機開關 (右) Right Fan On/Off Switch
11. 速度調校掣 (右) Right Speed Control
= 高速 Super - 低速 Normal
12. 照明燈開關 Light Switch

產品結構 Product Structure

TYP-716



TYP-717



1. 操作面版 Control Panel
2. 易拆式旋鈕 (一對) Bottom Cover Knob (1 pair)
3. 底蓋 Bottom Cover
4. 油杯 (一對) Oil Container (1 pair)
5. 風網 (一對) Fan Grille (1 pair)
6. 照明燈 Lighting
7. 防漏油碟 (一對) Oil Collector (1 pair)

8. 速度調校掣 (左) Left Speed Control
= 高速 Super - 低速 Normal
9. 速度調校掣 (右) Right Speed Control
= 高速 Super - 低速 Normal
10. 總開關 Main Power Switch
11. 照明燈開關 Light Switch

安裝說明 Installation Instructions

I. 安裝高度

抽油煙機底部距離爐面 70-75 cm 之間為宜，距離越接近 70 cm，抽油煙效果越佳。

I. Height of Installation

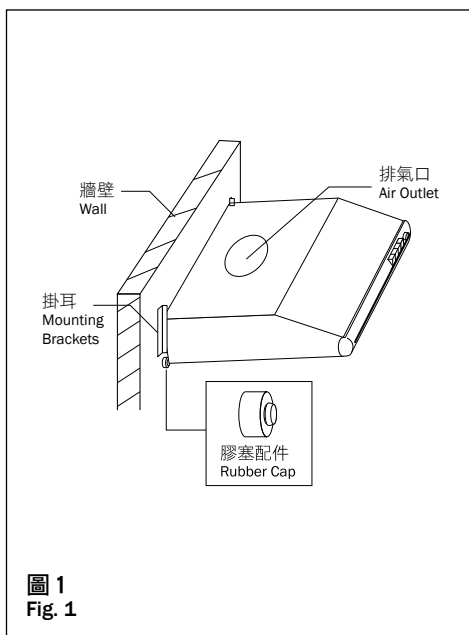
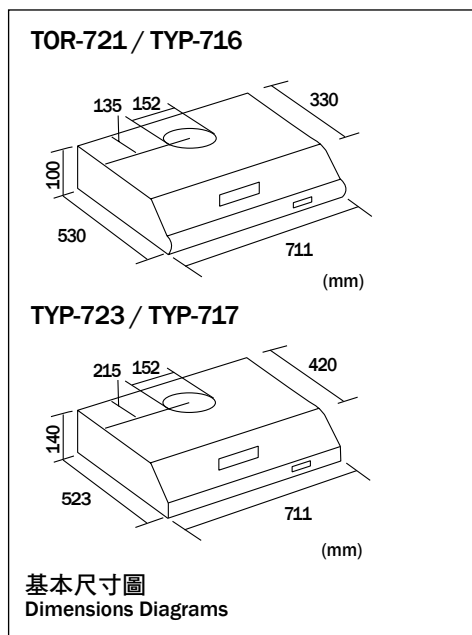
The appliance should be positioned 70-75 cm above the cooking range. A distance that is near 70 cm results in higher venting efficiency.

II. 安裝程序

1. 根據抽油煙機兩掛耳之間的距離，在牆上打孔。
2. 裝上膨脹螺絲，然後將抽油煙機上的掛耳用螺絲固緊入膨脹螺絲中，再以螺母旋緊螺絲即可。
3. 將機背安裝支架的螺絲釘旋鬆，把兩側掛耳調至適合的位置，然後將整機用螺絲釘緊固在牆上。
4. 安裝時機身必須保持左右水平，並須把隨機附設的膠塞裝在機背後，讓機身前端稍為向上傾斜(圖1)。

II. Installation Procedures

1. Drill holes in the wall based on the positions and distance between the mounting brackets.
2. Install screw anchors in the holes. Screw the mounting brackets through the anchors. Secure screws with nuts.
3. Loosen the screws of the mounting stand at the back of the range hood. Adjust the range hood to a suitable position on the wall.
4. Keep the range hood horizontally balanced and fix it to the wall with screws provided. Place the provided rubber cap behind the range hood so that the front of the unit is tilted slightly (Fig. 1).



清潔與保養 Care & Maintenance

重要說明

- 為達成本產品的最佳效能，用戶應最少每週清洗抽油煙機一次。
- 警告: 如用戶不依照本說明書指示進行維修或清潔保養 (特別是風扇及易沾油污部份)，有可能會導致火警。

Important

- To ensure the most optimum efficiency, the range hood must be cleaned at least once a week.
- Warning: There is a risk of fire if repair and cleaning of the range hood (especially the fan and other easily-soiled parts) are not carried out in accordance with the instructions.

1. 清潔抽油煙機前先關掉電源。

2. 取出油杯，再扭開2邊易拆式旋鈕，將底蓋拆下。

1. Cut off the power supply before cleaning the range hood.

2. Remove the two oil containers, then turn the 2 bottom cover knobs to detach the bottom cover.

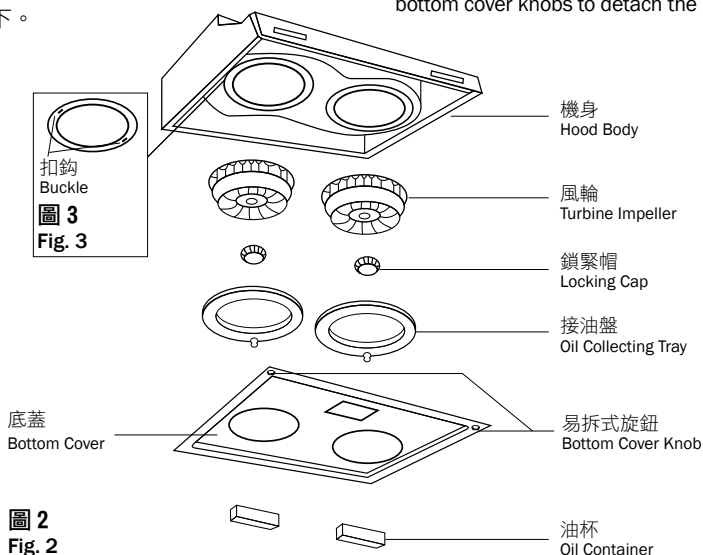


圖 2
Fig. 2

3. 將接油盤除下。如使用TOR-723或TYP-717型號，將兩個銀色扣鉤移開才可將接油盤取下(圖3)。

4. 將鎖緊帽按順時針方向旋鬆，取出風輪。

5. 清潔時，內外表面可用軟布沾中性清潔劑擦拭並用清水揩抹，注意避免刮花機身內外表面。

6. 清潔後，按上述相反的程序裝上，請檢查底板上的掛勾與機身是否妥當接合，以策安全。

3. Detach the oil collecting trays. For TOR-723 or TYP-717 models, free oil collecting trays from the two small buckles (Fig 3).

4. Loosen the locking caps by turning the caps clockwise and take out the turbine impellers.

5. Use a soft cloth to clean the inner and outer surfaces with a mild liquid detergent, and then rinse the trays with water. Avoid using a rough or metal brush to scrub the surface.

6. After cleaning, assemble the parts in reverse order as shown above. To ensure safety, make sure that the bottom cover is securely hooked with the hood body.

技術規格 Technical Specifications

型號 Model	TOR-721	TOR-723	TYP-716	TYP-717
電壓 Voltage / 頻率 Frequency	220 V / 50 Hz			
功率 Rated Power	310 W		160 W	
顏色 Colour	銀色 Silver			
摩打轉速 Motor Speed	2,100 R.P.M.	2,300 R.P.M.	1,600 R.P.M.	1,650 R.P.M.
排風量 Exhaust Flow	1,320 m ³ /hr	1,380 m ³ /hr	960 m ³ /hr	1,020 m ³ /hr
照明燈 Lighting	40 W			
排風口直徑 Exhaust Outlet Diameter	Ø152mm / 6"			
機身尺寸 Dimensions	(H) 100 mm (W) 711 mm (D) 530 mm	(H) 140 mm (W) 711 mm (D) 523 mm	(H) 100 mm (W) 711 mm (D) 530 mm	(H) 140 mm (W) 711 mm (D) 523 mm
淨重 Net Weight	10.5 kg	11.3 kg	10.2 kg	11.1 kg

產品規格及設計如有變更，恕不另行通知。
Specifications are subject to change without prior notice.

中英文版本如有出入，一概以中文版為準。
If there is any inconsistency or ambiguity between the English version and the Chinese version,
the Chinese version shall prevail.

本產品使用說明書以 www.germanpool.com 網上版為最新版本。
Refer to www.germanpool.com for the most up-to-date version of the Operating Instructions.

如欲獲取更多有關本產品最新資訊，歡迎瀏覽本公司網站。
For additional product information, please visit our website.

www.germanpool.com

請填妥以下空格並與發票一併保存，以便維修時核對資料。用戶提供本公司之所有資料必須正確無誤，並且須於維修時出示購買發票，否則免費保用將會無效。

Please fill out the form below. This information and the original purchase invoice will be required for any repairs.

Warranty will be invalid if information provided is found to be inaccurate or purchase invoice is not presented.

型號 Model No. : TOR-721 TOR-723 TYP-716 TYP-717

機身號碼 Serial No. : _____ 發票號碼 Invoice No. : _____

購買商號 Purchased From : _____ 購買日期 Purchase Date : _____

保用條款

本抽油煙機機件在正常使用下，總代理德國寶將根據下列條款為客戶免費提供全機及零件保用壹年。TOR-721及TOR-723之摩打保用期為十年；TYP-716及TYP-717之摩打保用期則為三年。(由購買日期起計)

* 貴戶須在購機十天內，以下列其中一種方式向本公司登記資料，保用手續方正式生效：

1) 填妥本公司網頁內之保用登記表格

www.germanpool.com/warranty

2) 填妥保用登記證，並連同購機發票之副本一併郵寄到客戶服務部

(本公司將不發還發票副本或登記證)

1. 未能出示購買發票正本者，將不獲免費維修服務。

2. 用戶應依照說明書的指示操作。本保用並不包括：
- 安裝、上門檢驗、更換零件之人工或運輸費用等；
- 因天然與人為意外造成的損壞 (包括運輸及其它)；
- 產品外殼之表面、燈泡、任何塑膠附件及輔助裝置如集油杯等；
- 電源接合不當、不依說明書而錯誤或疏忽使用本機所引致之損壞。

3. 於下列情況下，用戶之保用資格將被取消：
- 購買發票有任何非認可之刪改；
- 產品被用作商業或工業用途；
- 產品經非認可之技術人員改裝或加裝任何配件；
- 機身編號被擅自塗改、破壞或刪除。

4. 總代理有權選擇維修或更換配件或其損壞部份。

5. 產品一經被轉讓，其保用即被視作無效。

* 此保用只在香港、九龍、新界區有效，東涌、愉景灣及離島，須額外收取交通費用。

客戶服務及維修中心

德國寶(香港)有限公司

香港九龍紅磡暢通道 1 號

中旅貨運物流中心8樓

電話：+852 2333 6249

傳真：+852 2356 9798

電郵：repairs@germanpool.com

Warranty Terms & Conditions

Under normal operations, the range hood will receive a 1-year full warranty provided by German Pool. Motor warranties for TOR-721 and TOR-723 models are 10 years, and for TYP-716 and TYP-717 models 3 years. (Effective starting from the date of purchase.)

* This warranty is not valid until Customer's registration information is returned to and received by our Service Centre within 10 days of purchase via one of the following methods:

1) Visit our website and register online:

www.germanpool.com/warranty

2) Complete all fields on the attached Warranty Card and mail it back to our Customer Service Centre along with a photocopy of the purchase invoice (Warranty Card and invoice copy will not be returned to Customer)

1. Customer who fails to present original purchase invoice will be disqualified for free warranty.

2. Customer should always follow the operating instructions. This warranty does not apply to:
- labour costs for installation, on-site check-up, replacement of parts and other transportation costs;
- damages caused by accidents of any kind (including transport and others);
- casing of hood body, light bulbs, plastic parts and accessories such as oil collecting cups;
- operating failures resulted by incorrect voltage, improper operations and unauthorized installations or repairs.

3. This warranty is invalid if:
- purchase invoice is modified by unauthorized party;
- product is used for any commercial or industrial applications;
- product is repaired or modified by unauthorized personnel, or unauthorized parts are installed;
- serial number is modified, damaged or removed from the product.

4. German Pool will, in its discretion, repair or replace any defective part.

5. This warranty will be void if there is any transfer of ownership from the original purchaser.

* Service area includes Hong Kong Island, Kowloon and New Territories only. Repairs in Tung Chung, Discovery Bay or other areas are subject to an extra service charge.

Customer Service & Repair Centre

German Pool (Hong Kong) Limited

8/F, China Travel (Cargo) Logistics Ce

1 Cheung Tung Road

Hung Hom, Kowloon, Hong Kong

Tel : +852 2333 6249

Fax : +852 2356 9798

Email : repairs@germanpool.com

此保用只適用於香港

This warranty is valid only in Hong Kong

**GERMAN
POOL**



德國寶

德國寶(香港)有限公司 German Pool (Hong Kong) Limited

中國香港 Hong Kong, China

香港九龍土瓜灣馬頭角道116號
新寶工商中心2期113號室
Room 113, Newport Centre Phase II,
116 Ma Tau Kok Road, Tokwawan,
Kowloon, Hong Kong

電話 Tel: +852 2773 2888
傳真 Fax: +852 2765 8215

中國內地 Mainland China

廣東省佛山市順德區大良南國東路
德順廣場三層
3/F, Takshun Plaza, Nanguo East
Road, Shunde, Foshan, Guangdong

電話 Tel: +86 757 2980 8308
傳真 Fax: +86 757 2980 8318

中國澳門 Macau, China

澳門宋玉生廣場263號
中土大廈15樓I座
Alameda Dr. Carlos D'Assumpcao
No. 263, Edif. China Civil Plaza, 15
Andar, I, Macau

電話 Tel: +853 2875 2699
傳真 Fax: +853 2875 2661



香港名牌十年成就獎
HONG KONG TOP BRAND TEN YEAR
ACHIEVEMENT AWARD



香港卓越名牌
HONG KONG
PREMIER BRAND



2007
CERTIFICATE AWARDED FOR THE BEST BRAND ENTERPRISE
最佳品牌企業



中小企業
最佳拍檔大獎



© 版權所有。未獲德國寶授權，不得翻印、複製或使用本說明書作任何商業用途，違者必究。
© All rights reserved. Copying, reproducing or using the contents of this manual is not allowed without prior authorization from German Pool, violators will be prosecuted.

www.germanpool.com