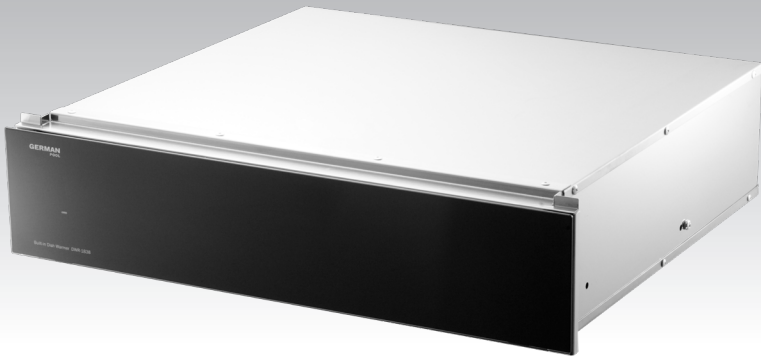


Built-in Dish Warmer

DWR-1838



Online Warranty Registration



Please read these instructions and warranty information carefully before use and keep them handy for future reference.

USER MANUAL

請即進行保用登記！
有關保用條款細則，請看說明書最後一頁。

Please register your warranty information now !
For Warranty Terms & Conditions,
please refer to the last page of this user manual.

Table of Contents

Warnings & Safety Precautions	04
Installation Instructions	06
Operation Instructions	09
Cleaning & Maintenance	11
Troubleshooting	12
Technical Specification	13
Warranty Terms & Conditions	23

Warnings & Safety Precautions

WARNING!

Read all instructions carefully before using this product.

- This product is for domestic indoor use only. If this product is used for any commercial, industrial, rental or other purposes, product warranty will be VOIDED.
- This product is not intended for use by children or persons with reduced physical, sensory or mental capabilities, or lack of experience and knowledge, unless they have been given supervision or instruction concerning use of this product by an adult responsible for their safety.
- Mind your children and **DO NOT** let children play with this product.
- Cleaning and user maintenance shall not be made by children without supervision.
- Check the voltage indicated on the rating label before using this product.
- If the supply cord is damaged, it must be replaced by the manufacturer, its service agent or similarly qualified persons in order to avoid hazards.
- Unplug this product from the power source before cleaning and maintenance.
- Contact German Pool authorized service technician for repair or maintenance of this product.

Proper Use Of This Product

1. This product is compliant with current safety regulations. Improper use may nonetheless cause damage to persons and/or property.
2. The inside of this product may reach a temperature of up to 75 °C when the thermostat is set to the maximum position. When taking out hot dishes, use appropriate kitchen mitts as necessary.
3. Remember that children have very delicate skin which is more sensitive to heat. Therefore, **DO NOT** allow children to play with this product.
4. When the **ON** button is pressed, this product will start heating and there is the danger of burns.

Safety Instructions And Warnings

1. This product is not intended for use by persons (including children) with reduced physical, sensory or mental capabilities, or lack of experience and knowledge, unless they have been given supervision or instruction concerning use of this product by a person responsible for their safety.
2. Children should be supervised to ensure that they do not play with this product.
3. **DO NOT** use this product to keep warm, reheat or cook foods and beverages. Humidity from foods or beverages may cause problems for this product.
4. **DO NOT** lean or sit on the open drawer. The telescopic carriage may be damaged.
5. The maximum load of the drawer is 25kg.
6. Make sure that this product is firmly secured to the cabinet.
7. **DO NOT** keep plastic or flammable objects in this product. When this product is turned on, these kinds of objects may melt or catch fire.

Warnings & Safety Precautions

Fire Hazard

1. DO NOT use this product to heat the room.
2. Never use steam cleaners. They may cause short circuits and damage this product.
3. Never under any circumstances insert objects (eg. screwdrivers, pointed objects, paper, etc.) through the slots in the protection grille of the heating element and fan.
4. If the supply cord is damaged, it must be replaced by the manufacturer or its service agent or a similarly qualified person in order to avoid a hazard.

Disposal Of Packaging

1. The packaging materials protect this product during transport.
2. Recycling of the packaging makes it possible to save raw materials and reduce waste volumes. If you dispose of the packaging yourself, ask local authorities for the location of the nearest collection centre.

Disposal Of Electrical And Electronic Appliances



This product is marked according to the European Directive 2002/96/EC on Waste Electrical and Electronic Equipment (WEEE). By ensuring this product is disposed of correctly, you will help prevent potential negative consequences for the environment and human health, which would otherwise be caused by inappropriate waste handling of this product.

The symbol marked on this product or on the documents accompanying this product indicates that this product may not be treated as household waste. Instead it shall be handed to the applicable collection point for the recycling of electrical and electronic equipment. Disposal must be carried out in accordance with local environmental regulations for waste disposal. For more detailed information about the treatment, recovery and recycling of this product, please contact your local city office, your household waste disposal or the shop where you purchased this product.

Installation Instructions

Electrical Connection

- Contact a qualified technician for the electrical connection of this product.
- Before connecting this product to the electrical mains, ensure that the technical data (voltage and frequency) indicated on the rating label concur with those of the electrical mains. If in doubt, contact a qualified technician.
- If the plug is disconnected from the electrical power cord, a qualified technician will be required to insert and connect this product. Contact a qualified technician who is knowledgeable of local standards and of any additional regulations issued by the local electric company, and who ensures that work is carried out in compliance with these standards.
- **⚠ WARNING!** Check that this product is correctly connected to an approved earth wire to ensure electrical safety. If necessary, have the system checked by a qualified technician. The manufacturer shall not be held liable for damage to individuals or property due to lack or interruption of the earth wire.
- If this product is connected to the mains with an extension cord, make sure that the extension cord and the connection are insulated against humidity.
- This product can only be used only after being properly installed.
- DO NOT open the covering of this product. If you come into contact with wires that carry voltage or if you modify the electrical and mechanical structure of this product, it is possible that this product will malfunction during operation.
- If installation, maintenance and repair work is not carried out correctly, there may be hazards for the user. The manufacturer declines all liability for this type of personal injury or property damage.
- Installation, repair and cleaning work are to be carried out only with this product disconnected from electrical mains. This product is disconnected from the electrical mains in the following cases:
 - the main switch of the electrical system is off.
 - the safety switch is off.
 - this product is unplugged.
- When unplugging this product, DO NOT pull on the cord. Take hold of the plug.
- It is advisable to connect this product to the mains with an electrical plug. This will make technical assistance easier should it become necessary.
- Make sure the plug can be reached after this product has been installed.
- If connection is not made by means of an electrical plug, contact an electrician who is knowledgeable of local standards and of any additional regulations issued by the local electric company, and who ensures that work is carried out in compliance with these standards.
- If the electrical outlet is no longer accessible after installation, or if a fixed connection is to be made, the installer must provide a separation device for each pole.
- Valid separation devices include switches with a contact opening of at least 3mm.
- Data required for connection can be found on the rating label. This information must match the data of the electrical mains.

Installation Instructions

- The manufacturer shall not be held liable for damage to persons or property due to incorrect installation, or improper, wrong or ludicrous use of this product. The manufacturer shall not be held liable for accidents (eg. electric shock) caused by lack or interruption of the earth wire.
- After assembly, all parts of this product must be insulated so that no mishaps may occur during operation.

Safety Instructions For Installation

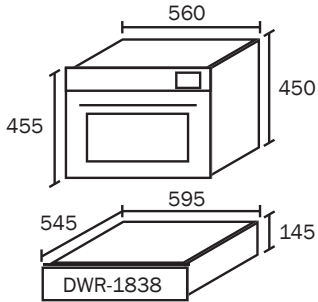
- Before connecting this product to the electrical mains, compare the connection data (voltage and frequency) indicated on the rating label with the data of the electrical mains. The data must match, otherwise it may damage this product. If in doubt, contact a qualified technician.
- Make sure that the electrical outlet is easily accessible even after this product has been installed.
- This product can only be installed with other appliances with a maximum weight of 40kg and which are provided with adequate cooling ventilation.
- For installation of the combination appliance, follow the instructions in the relative sections of this user manual.
- To ensure safe operating conditions, installation and electrical connection of this product must be performed by qualified personnel.

Installation Space Measurements

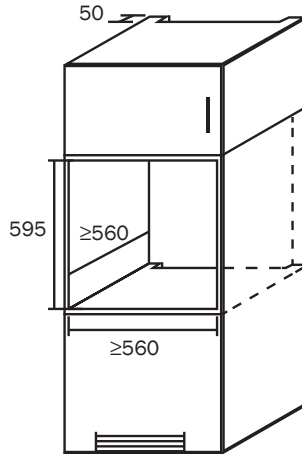
- Dimensions in the diagram include this product's dimensions together with the dimensions of the combination appliance (oven).
- All measurements are indicated in millimetres.

Installation Instructions

When Installed Together With German Pool SGV-5220 / SGV-5228 Built-in Steam & Grill Oven

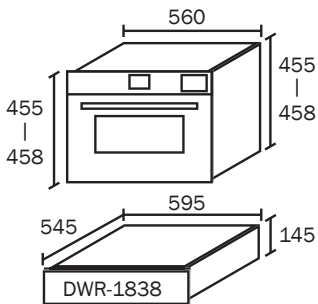


Dish Warmer Dimensions

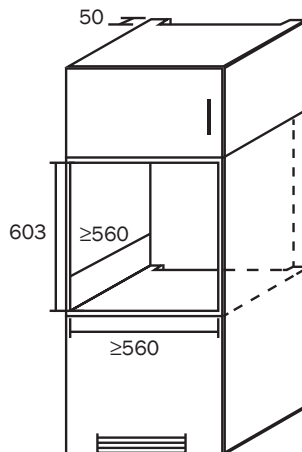


Oven Dimensions

When Installed Together With German Pool SGM-3620 / SGM-T4228/ SGM-4228L Built-in Steam & Grill Microwave Combi Oven



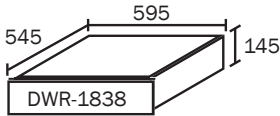
Cutout Dimensions



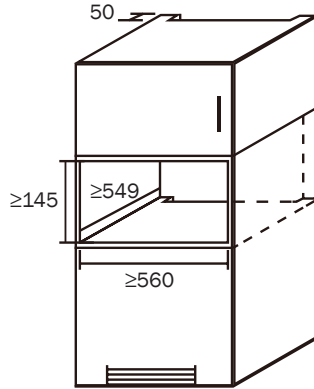
Schematic Diagram After Installation

Installation Instructions

When Installed Alone



Cutout Dimensions



Schematic Diagram After Installation

Operation Instructions

Before Initial Use

Before using this product for the first time, please clean it according to the following steps:

1. Clean the surface with a soft cloth then wipe dry.
2. Turn on this product, turn the temperature knob up to the maximum setting and preheat at least 2 hours to eliminate any residual grease, oil or manufacturing resins.

Note:

During preheating, residual matters may cause odors, this is a natural phenomenon. Please ensure the room is well-ventilated.

How To Use

1. Press the product's front panel lightly and the drawer will pop open.
2. Press the switch (position 1) to turn on the product. Indicator light on the panel will light up constant.
3. Place in tableware to be warmed.

Note:

This product's load capacity depends on the size of the tableware; this product's maximum capacity is 25kg.

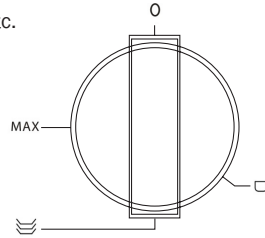
4. Rotate the turn knob to adjust the temperature, then lightly push the panel until the drawer closes.
5. After using, press the switch (position 0) to turn off the product. Indicator light on the panel will go dark.



Operation Instructions

Selecting Temperature

- Rotate the turn knob to select temperature between approx. 30 °C-75 °C.
- Rotate the turn knob clockwise to increase temperature, and anticlockwise to decrease temperature.
- Icons on the turn knob indicate optimal temperatures for warming different tableware:
 - ☐ Cup (approx. 40 °C): for warming cups, glasses, etc.
 - ≡ Dishes (approx. 60 °C): for warming bowl, plates, etc.
 - MAX Max (approx. 75 °C): for warming dishes.



⚠ WARNING!

DO NOT forcibly rotate the turn knob too far to prevent damaging the thermostat.

Note:

- Warming time depends on the tableware's material, thickness, load amount, arrangement of load, temperature setting, etc. It is recommended to determine the best settings for your needs based on practical experience.
- Turn off this product before retrieving warmed tableware; to prevent scalding, it is recommended to wear oven mittens or use pot holders when retrieving the warmed items.

Cleaning & Maintenance

WARNING!

- Turn off this product and allow it to cool down completely before cleaning.
 - When unplugging this product, DO NOT tug on the power cord. Take hold of the plug.
-
- Use a soft sponge moistened with diluted detergent and warm water to clean this product, then wipe dry with a soft cloth.
 - DO NOT use water to wash the switch area, the thermostat area and the grille area which protects the internal components.
 - Any penetration of liquids or other substances into electrically live parts may cause failures or short circuits, creating hazards for the user.

Stainless Steel Panels

- Stainless steel can be easily scratched, use only special non-abrasive products for cleaning steel.
- DO NOT clean with cleansers that contain soda, acids or chloride, abrasive detergents (powder or cream), abrasive sponges (eg. steel wool pads) or sponges that contain residual abrasive detergent.

Drawer Bottoms

- Bottoms of the drawers can be wiped with soft cloth moistened with warm water and gentle dish detergent, then wiped with moist cloth and left to air dry completely.
- Make sure drawers are completely dry before closing them.

Troubleshooting

⚠ WARNING!

- This product must only be repaired by qualified and authorized technicians only.
- Improper or incorrectly performed repairs may create grave hazards for the safety of the user.

Problem	Possible Cause	Solution
Dish not warm enough	Power is not connected	Connect power
	Temperature is not set correctly	Reset temperature
	Heat outlet is blocked by large plate or bowl	Avoid blocking heat outlet
	Dish-heating time not sufficient	Extend heating time
	Fan is not working	Contact German Pool Customer Service & Repair Centre
	Heating element defective	
	Main switch of electrical system defective	
Power cord damaged		
Dish too hot	Temperature is not set correctly	Reset temperature
	Temperature setting device defective	Contact German Pool Customer Service & Repair Centre

Note:

Heating time may be affected by various factors, including: material and thickness of tableware, size of load, arrangement of load, temperature setting, etc. Optimal heating time for tableware is subjective, therefore it is recommended to determine the time based on your experience or preferences.

Technical Specification

Model	DWR-1838
Power	380 - 460 W
Voltage / Frequency	220 - 240 V / 50 Hz
Product Dimensions	(H) 145 (W) 595 (D) 549 mm
Net Weight	15.5 kg
Maximum Load Capacity	25 kg

- Specification is subject to change without prior notice.
- If there is any inconsistency or ambiguity between the English version and the Chinese version, the English version shall prevail.
- Refer to www.germanpool.com for the most update version of the user manual.

目錄

警告及注意事項 15

安裝說明 17

使用說明 19

清潔與保養 21

故障檢修 21

技術規格 22

保用條款 23

警告及注意事項

⚠ 警告！

使用本產品前，請仔細閱讀所有說明。

- 本產品只限家居室內日常使用，如產品作任何商業、工業、出租或其他用途，保用證即告失效。
- 請勿讓兒童或身體有殘障、精神不健全及對本產品缺乏經驗或知識的人士單獨使用本產品；如需使用，必須要在負責任的成年人監管下方可使用。
- 應照顧好兒童，確保他們不會玩耍本產品。
- 無成年人監管下，勿讓兒童清潔及維護本產品。
- 使用前，請先檢查所有電壓是否與本產品標籤上的電壓相符。
- 如果電源線損壞，為免發生意外，電源線必須由廠方、廠方指定的維修中心或同等合格的技術人員進行更換。
- 清潔或檢查本產品前，必須先關機及拔掉插頭。
- 請聯繫德國寶授權的技術人員進行維修或保養本產品。

正確使用本產品

1. 本產品符合現行安全法規，但使用不當仍可能對人員或財產造成損害。
2. 當恆溫器設置到最大位置時，本產品內部溫度可能高達75°C。取出碗碟時，必須根據需要使用合適的廚房手套。
3. 兒童的皮膚對熱量更敏感，嚴禁讓兒童玩耍本產品。
4. 當按下開機鍵開機後，本產品就會開始加熱，小心燙傷。

安全說明和警告

1. 本產品不適合身體、感官或精神能力較差或缺乏經驗和知識的人員（包括兒童）使用，除非有負責其安全的人員對他們進行有關使用本產品的監督或指導。
2. 必須監督兒童，確保他們不玩耍本產品。
3. 嚴禁使用本產品保溫、重新加熱或烹飪食物和飲料，食物或飲料中的濕氣可能會導致本產品出現異常。
4. 嚴禁倚靠或坐在打開的抽屜上，伸縮托架可能會因而損壞。
5. 本產品的最大承重為25公斤。
6. 必須確保本產品牢固地安裝在機櫃上。
7. 嚴禁在本產品內存放塑料或易燃物品，當本產品運行時，此類物體可能會熔化或著火。

火災危險

1. 嚴禁使用本產品為房間供暖。
2. 嚴禁使用蒸汽清潔器，否則可能導致短路並損壞本產品。
3. 任何情況下嚴禁插入任何物體（包括螺絲刀、尖頭物體、紙張等）至加熱元件和風扇的保護格柵中。
4. 如電源線損壞，必須由製造商或其服務代理或具有類似資格的人員更換，以避免危險。

警告及注意事項

包裝的處置

1. 包裝材料用於在運輸過程中保護本產品。
2. 回收包裝可以節省原材料並減少廢物量。如自行處置包裝，請向相關機構查詢最近收集中心的位置。

電氣和電子設備的處置



本產品遵從2002/96/EC歐盟指令和WEEE指令。用戶應確保本產品被正確棄置處理，防止造成對健康和環境有害的後果。

貼在產品上的標誌和附帶檔表示本產品在使用壽命結束後要送到授權的電子產品回收中心，根據當地法規進行收回，不能像普通生活廢物一樣處理。

安裝說明

電氣連接注意事項

- 有關本產品的電氣連接，請聯繫合資格的技術人員進行操作。
- 將本產品連接到電源之前，必須確保銘牌上顯示的電壓和頻率與電源的技術數據一致，如有疑問，請聯繫合資格的技術人員。
- 如插頭與電源線斷開，則需要合資格的技術人員插入並連接本產品。請聯繫合資格的技術人員，了解所在地的標準和電力公司的任何附加規定，並確保工作按照這些標準進行。
- **⚠ 警告！** 檢查本產品是否正確連接到獲認證的地線，以確保電氣安全。如有必要，請由合資格的技術人員檢查系統。對於因接地線缺失或中斷而造成的個人或財產損失，本公司不承擔任何責任。
- 如本產品通過延長線連接到電源，必須確保延長線和連接處絕緣及防潮。
- 本產品只有在正確安裝後才能使用。
- 如接觸帶電壓的電線或改造本產品的電氣和機械結構，嚴禁打開本產品的外蓋，避免在運行過程中發生故障。
- 如安裝、維護和修理工作不正確，可能會為用戶帶來危險。本公司對此類人身傷害或財產損失不承擔任何責任。
- 安裝、維修和清潔工作只能在電源斷開的情況下進行，例如：
 - 電氣系統的主開關關閉
 - 安全開關關閉
 - 本產品電源插頭已拔出
- 拔除電源插頭時，嚴禁拉扯電源線，必須握住插頭。
- 建議使用電源插頭將本產品連接至電源，可令維修或保養變得更加容易。
- 必須確保插入電源後，用戶能夠輕易觸及插頭。
- 如非透過電源插頭進行連接，請聯繫熟悉所在地標準和電力公司的任何附加規定的電工，並確保按照這些標準進行操作。
- 如插入電源後無法接觸電源插座，或進行固定連接，安裝人員必須為每個極提供分離裝置。
- 有效的分離裝置包括觸點開口至少為3mm的開關。
- 連接所需的數據可在銘牌上找到，該信息必須與電源數據匹配。
- 對於因不正確安裝、不當或錯誤地使用本產品而造成的人員或財產損失，本公司不承擔任何責任。對於因接地線缺失或中斷而引起的事故（例如觸電），本公司不承擔任何責任。
- 安裝後必須確保本產品所有部件絕緣，以免在操作過程中發生事故。

安裝注意事項

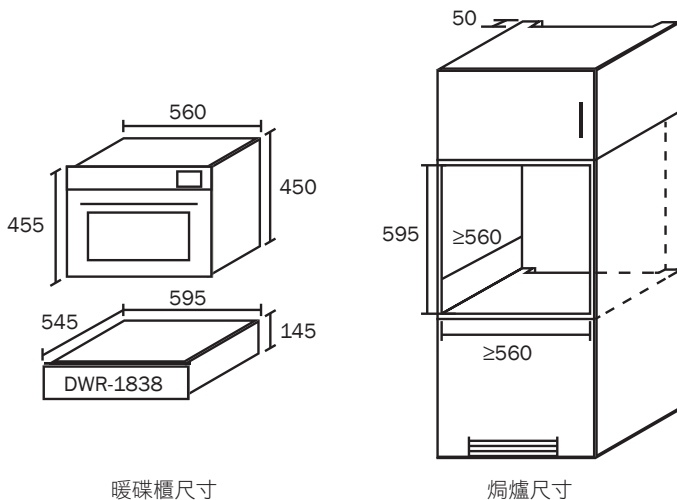
- 將本產品連接至電源前，必須確認銘牌上指示的電壓和頻率與電源數據匹配，否則可能損壞本產品，如有疑問，請聯繫合資格的技術人員。
- 安裝時必須確保即使在安裝後也可以輕鬆接觸到電源插座。
- 本產品只能與最大重量為40公斤且具有足夠冷卻通風的其他設備一起安裝。
- 有關本產品與其他設備組合安裝，請遵循本說明書的相關說明。
- 本產品的接電和安裝必須由合資格人員進行，以確保操作安全。

安裝說明

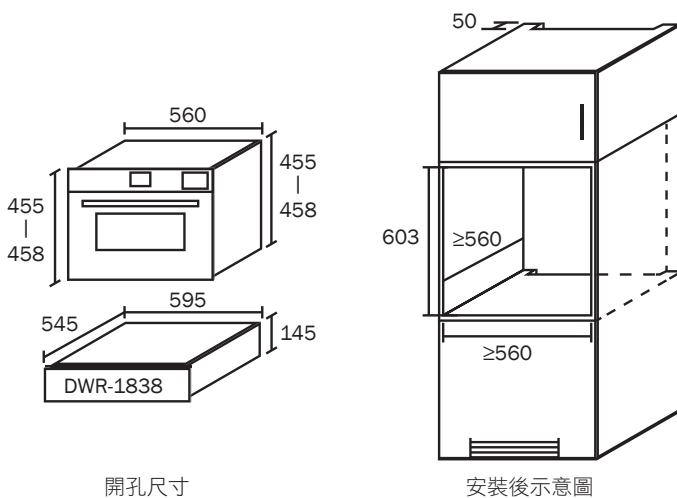
安裝空間測量

- 圖列尺寸是根據本產品的尺寸加上與其組合的設備（焗爐）的尺寸所得出。
- 所有測量值均以毫米為單位。

與德國寶嵌入式蒸烤焗爐SGV-5220 / SGV-5228組合使用

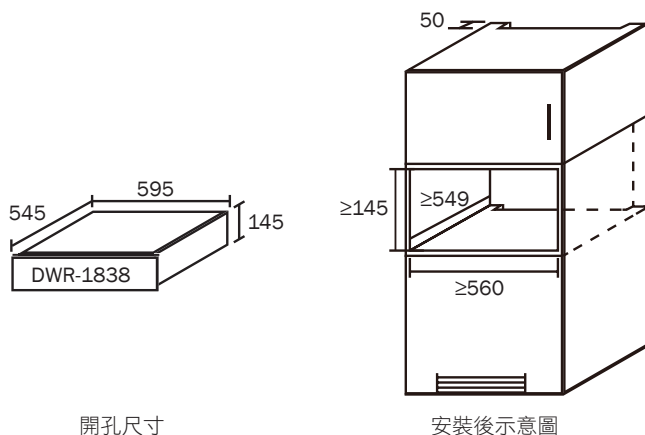


與德國寶嵌入式微蒸烤焗爐SGM-3620 / SGM-T4228 / SGM-4228L組合使用



安裝說明

單獨嵌入安裝



使用說明

使用前注意事項

首次使用本產品前，請先按照以下方法進行清潔：

1. 用軟布清潔產品表面，然後擦乾。
2. 開啟本產品，將溫度旋鈕擰到最大，預熱至少2小時以消除任何殘留的油脂、油或樹脂等。

注意：

殘留物可能在加熱過程中產生氣味，屬正常情況，請確保房間內空氣流通。

使用步驟

1. 輕按機身面板，本產品的抽屜彈出。
2. 按下開關（位置1）開機，面板上的指示燈常亮。
3. 放入需要加熱的物品。

注意：

本產品的負載能力取決於餐具的尺寸；本產品最多可承受25公斤重量。

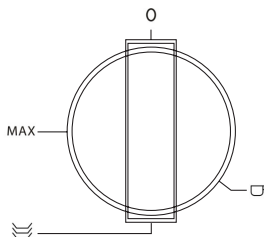
4. 擰動旋鈕調校溫度，完成後輕推機身面板至抽屜正確關上。
5. 使用完畢後按開關（位置 0）關機，面板上的指示燈熄滅。



使用說明

選擇溫度

- 擰動旋鈕可讓您選擇約30°C至75°C之間的溫度。
- 順時針擰動旋鈕提升溫度，逆時針擰動旋鈕降低溫度。
- 旋鈕上的標示代表不同用途的最佳溫度：
 - ☐ 杯（約40°C）：用於杯子、玻璃杯等。
 - ☑ 碗碟（約60°C）：用於碗、碟等。
 - MAX 最大（約75°C）：用於餐盤保溫。



⚠ 警告！

嚴禁強行擰動至超出限位，避免損壞恆溫器。

注意：

- 加熱不同物品所需的時間取決於餐具材質及厚度、負載量、擺放方法、溫度設定等，建議根據實際情況決定時間長短。
- 取出加熱後的物品前，請先關閉本產品；建議使用手套或鍋架等取出加熱的物品，避免燙傷。

清潔及保養

⚠ 警告！

- 清潔前必須先關掉本產品，並待本產品完全冷卻後方可進行清潔。
- 拔下電源插頭時，嚴禁拉扯電源線，必須握住插頭。
- 使用軟海綿、少許清潔劑和溫水進行清潔，然後用軟布擦乾。
- 用於保護內部組件的格柵區域以及開關、恆溫器區域嚴禁用水清洗。
- 任何液體或其他物質滲入帶電部件都可能導致故障或短路，從而對用戶造成危險。

帶不銹鋼面板的部份

- 不銹鋼容易被劃傷，應使用鋼材專用的非研磨產品進行清潔。
- 嚴禁使用含有蘇打、酸或氯化物的洗滌劑、研磨洗滌劑（粉末或霜）、研磨海綿（例如鋼絲棉墊）或含有殘留研磨洗滌劑的海綿。

抽屜底部

- 抽屜底部可用沾上溫水和溫和清潔劑的軟布清潔，然後徹底晾乾。
- 必須待抽屜完全乾燥後才可關上。

故障檢修

故障問題	可能原因	解決方法
碗碟不夠熱	未有連接電源	打開電源
	未有設定正確的溫度	重新設定溫度
	散熱口被大盤子或碗蓋住	避免散熱口被覆蓋
	碗碟加熱時間不足	延長加熱時間
	散熱風扇不運作	聯絡德國寶客戶服務及維修中心
	加熱元件故障	
	電氣系統主開關故障	
電源線損壞		
碗碟過熱	未有設定正確的溫度	重新設定溫度
	溫度設定裝置故障	聯絡德國寶客戶服務及維修中心

注意：

影響加熱時間的因素有多種原因，包括：餐具的材質和厚度、負載的大小、負載的排列、溫度設置等。由於菜餚的最佳加熱時間是主觀的，因此，建議根據您自己的喜好和實際情況進行調整。

技術規格

型號	DWR-1838
功率	380 - 460 W
電壓/頻率	220 - 240 V / 50 Hz
產品尺寸	(H) 145 (W) 595 (D) 549 mm
淨重	15.5 kg
最大承重	25 kg

- 產品規格及設計如有變更，恕不另行通知。
- 中英文版本如有出入，一概以英文版為準。
- 本產品使用說明書以www.germanpool.com網上版為最新版本。

保用條款

Warranty Terms & Conditions

此保用提供德國寶產品之機件在正常使用下壹年保用(自購買日起計算)。

Under normal operations, the product will guarantee a 1-year full warranty provided by German Pool (effective from the date of purchase).

*貴戶須在購機十天內，以下列其中一種方式向本公司登記資料，保用手續方正式生效：

- 1) 填妥德國寶VIP手機應用程式保用登記表(掃描右方二維碼)
- 2) 填妥本公司網頁保用登記表
www.germanpool.com/warranty
- 3) 填妥保用卡郵寄至本公司



* This warranty is not valid until customer registration information is received by our Service Centre within 10 days of purchase via one of the following means:

- 1) Visit our VIP App and register online:
(Scan the QR Code on the right)
- 2) Visit our website and register online:
www.germanpool.com/warranty
- 3) Complete the attached Warranty Card and mail it back to our Customer Service Centre.



另請填妥以下表格並與正本發票一併保存，以便維修時核對資料。用戶提供之所有資料必須正確無誤，否則免費保用將會無效。 Please fill out the form below. This information and the original purchase invoice will be required for any repairs. Warranty will be invalidated if information provided is found to be inaccurate.

型號 Model No. : DWR-1838

機身號碼 Serial No. : _____

購買商號 Purchased From : _____

發票號碼 Invoice No. : _____

購買日期 Purchase Date : _____

1. 未能出示購買發票正本者，將不獲免費維修服務。
2. 用戶應依照說明書的指示操作。本保用並不包括：
 - 上門安裝、檢驗、維修或更換零件之人工以及一切運輸費用；
 - 因天然與人為意外造成的損壞(包括運輸及其他)；
 - 電源接合不當、不依說明書而錯誤或疏忽使用本機所引致之損壞。
3. 於下列情況下，用戶之保用資格將被取消：
 - 購買發票有任何非認可之刪改；
 - 產品被用作商業或工業用途；
 - 產品經非認可之技術人員改裝或加裝任何配件；
 - 機身編號被擅自塗改、破壞或刪除。
4. 總代理有權選擇維修或更換配件或其損壞部份。
5. 產品一經被轉讓，其保用即被視作無效。

1. Customer who fails to present original purchase invoice will not be eligible for free warranty service.
2. Customer should always follow the operating instructions. This warranty does not apply to:
 - labour costs for on-site installation, check-up, repair, replacement of parts and other transportation costs;
 - damages caused by accidents of any kind (including material transfer and others);
 - operating failures resulting from applying incorrect voltage, improper usage, and unauthorized installations or repairs.
3. This warranty is invalid if:
 - the purchase invoice is modified by an unauthorized party;
 - the product is used for any commercial or industrial purposes;
 - the product is repaired or modified by unauthorized personnel, or unauthorized parts are installed;
 - the serial number is modified, damaged or removed from the product.
4. German Pool will, at its discretion, repair or replace any defective part.
5. This warranty will be void if there is any transfer of ownership from the original purchaser.

客戶服務及維修中心

中國香港

九龍大業街59號

三湘九龍灣貨運中心地下B室

電話：+852 2773 2888

傳真：+852 2356 9798

電郵：repairs@germanpool.com

中國澳門

澳門青洲大馬路(青洲新路)

515號美居廣場第二期1樓A座

電話：+853 2875 2699

傳真：+853 2875 2661

Customer Service & Repair Centre

Hong Kong, China

Unit B, G/F, Sunshine Kowloon Bay

Cargo Centre, 59 Tai Yip Street,

Kowloon, Hong Kong

Tel : +852 2773 2888

Fax : +852 2356 9798

Email : repairs@germanpool.com

Macau, China

A, 1 Andar, Mei Kui Kuong

Cheong Fase 2, No.515 Avenida

Do Conselheiro Borja Macau

Tel : +853 2875 2699

Fax : +853 2875 2661

此保用只適用於香港及澳門

This warranty is valid only in Hong Kong and Macau

German Pool (Hong Kong) Limited

Hong Kong, China

Room 113, Newport Centre Phase II, 116 Ma Tau
Kok Road, Tokwawan, Kowloon, Hong Kong.
Tel: +852 2773 2888
Fax: +852 2765 8215

Mainland, China

8th, Xinxiang Road, Wusha Industrial Park,
Daliang, Shunde, Foshan, Guangdong
Tel: +86 757 2219 6888
Fax: +86 757 2219 6809

Macau, China

A, 1 Andar, Mei Kui Kuong Cheong Fase 2,
No.515 Avenida Do Conselheiro Borja, Macau
Tel: +853 2875 2699
Fax: +853 2875 2661



香港《S MARK》
安全認證



中國銀行/渣打銀行等
十大影響力品牌

CEO

CEO非凡品牌大賞



香港優質獎



香港工商業獎



最具潛質
創建品牌企業獎



香港中小企業
最佳品牌大獎



香港消費者推崇品牌



香港《O獎》
優質服務證書



香港名牌十年成就獎
HONG KONG TOP BRAND TEN YEAR
ACHIEVEMENT AWARD

© All rights reserved. Copying, reproducing or using the contents of this manual is not allowed without prior authorization from German Pool, violators will be prosecuted.