

Multifunctional Steak Grill

ESG-1706



Online Warranty Registration



Please read these instructions and warranty information carefully before use and keep them handy for future reference.

USER MANUAL

Table of Contents

Warnings & Safety Precautions	03
Product Structure	05
Operation Instructions	07
Cleaning & Maintenance	12
Technical Specification	12
Warranty Terms & Conditions	23

Warnings & Safety Precautions

WARNING!

Read all instructions carefully before using this product.

- This product is for domestic indoor use only. If this product is used for any commercial, industrial, rental or other purposes, product warranty will be VOIDED.
- This product is not intended for use by children or persons with reduced physical, sensory or mental capabilities, or lack of experience and knowledge, unless they have been given supervision or instruction concerning use of this product by an adult responsible for their safety.
- Mind your children and DO NOT let children play with this product.
- Cleaning and user maintenance shall not be made by children without supervision.
- Check the voltage indicated on the rating label before using this product.
- If the supply cord is damaged, it must be replaced by the manufacturer, its service agent or similarly qualified persons in order to avoid hazards.
- Unplug this product from the power source before cleaning and maintenance.
- Contact German Pool authorized service technician for repair or maintenance of this product.

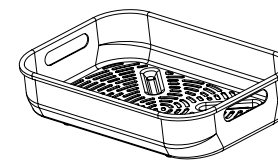
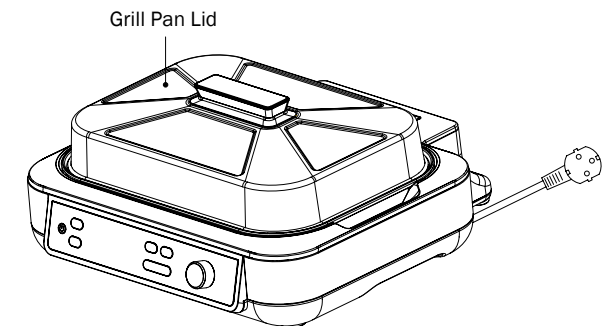
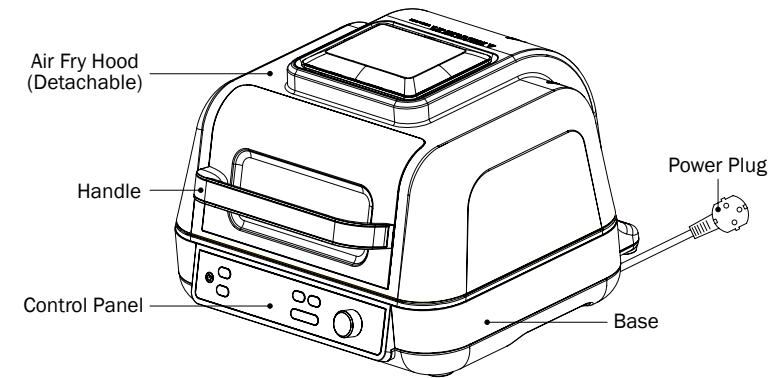
1. To prevent the danger of suffocation, after opening the box, discard all packing materials or store them in a place where children cannot reach.
2. This product should only be used by adults who have read and understood this user manual. This product is not to be used by children or persons with reduced physical, sensory or mental capabilities or lack of experience and knowledge of this product.
3. This product and its power cord must be kept out of children's reach. DO NOT allow children to use this product. Constant supervision is necessary when this product is used around children.
4. This product is for domestic use only, DO NOT use this product for any other than its intended purpose. DO NOT use this product outdoors or in other non-indoor scenes (eg. mobile home, etc).
5. This product must be placed in a spot that children cannot reach. Make sure this product is placed on a level, clean and dry surface. DO NOT place this product near the counter's edge to prevent it from dropping onto the floor.
6. Plugs and sockets must not be placed under this product. DO NOT use this product with an extension cord in order to avoid others tripping over it or getting entangled.
7. When this product is in use, keep at least 15cm empty space all around this product to ensure proper air ventilation.
8. To prevent electric shock, DO NOT touch the power cord or immerse the main unit, power cord or power plug in water or other liquids.
9. Before using this product, make sure this product is correctly installed and free from malfunction or damage. DO NOT use this product if the power cord or plug is damaged.
10. Before using this product, make sure you understand how to use the accessories. DO NOT use non-recommended accessories in order to avoid the risk of fire or personal injury.
11. The grill pan must be installed before using this product. The grill pan is essential for all functions, usage of other accessories may differ according to food type or cooking method.
12. Make sure the accessory is clean and dry before placing it into this product.

Warnings & Safety Precautions

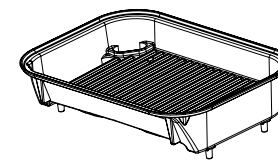
13. DO NOT move this product when it is in use. When this product is in use, DO NOT block or cover its air inlet or air outlet to avoid overheating or damaging the product.
14. During or immediately after cooking, DO NOT touch the product or accessories (aside from the handle and control panel). To avoid getting burnt, wear oven mittens when retrieving food from the product.
15. If this product catches grease fire or emits black smoke, unplug the power plug immediately.
16. DO NOT operate this product by means of an external timer or separate remote-control system.
17. Unplug the power plug before cleaning or when this product is not in use.

Product Structure

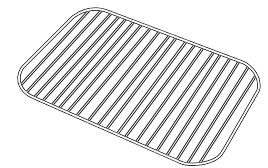
Main Unit & Accessories



Fry Basket



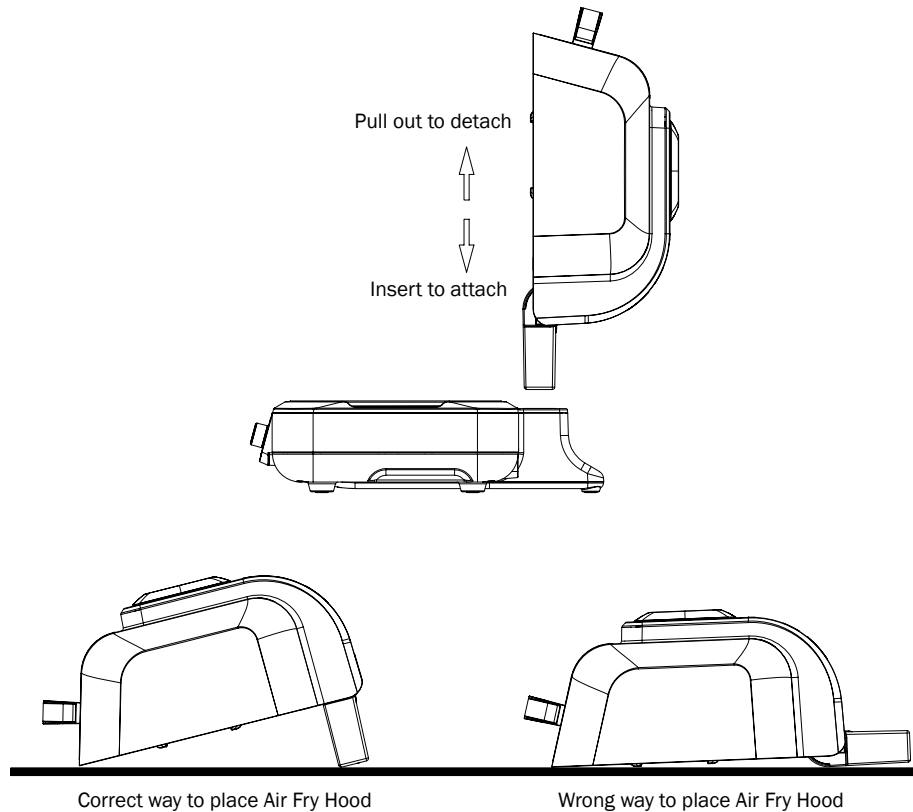
Grill Pan



Steam Rack

Product Structure

Attaching & Detaching Air Fry Hood

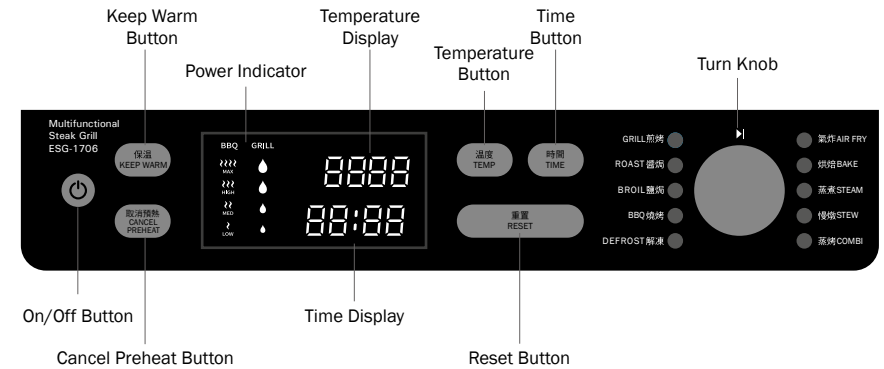


Operation Instructions

Before Initial Use

1. Remove all packing materials, tags and tapes from the product.
2. Take all accessories out from the box, and read this User Manual thoroughly. Pay special attention to the "Operation Instructions" and "Warnings & Safety Precautions" sections to avoid risking personal injury or property damage.
3. Clean Grill Pan, Fry Basket, Steam Rack and other accessories; Grill Pan Lid, Fry Basket and Steam Rack are dishwasher-safe. DO NOT wet the Air Fry Hood, main unit and base of the Grill Pan.
4. Before cooking with this product for the first time, select Air Fry Function, set temperature to the maximum of 230°C, set cooking time to 30 minutes, and place in food material (note: this food is not to be eaten, and should be disposed of afterwards) and let it cook. This will get rid of any new product smell.
5. When the product is used for the first time, the heating element may emit a small amount of white smoke or smell, this is a normal phenomenon.

Control Panel



Button	Description
On/Off	<ul style="list-style-type: none"> Press this button to turn on product, product enters standby state Press this button again to turn off product
Keep Warm	<ul style="list-style-type: none"> In standby state, press this button to enter Keep Warm state In Keep Warm state, press this button again to cancel Keep Warm and return to standby state
Cancel Preheat	Some modes come with Preheat function; during Preheat, press this button to cancel Preheat and directly start cooking
Temperature	When selecting mode or during cooking, press this button to adjust temperature
Time	When selecting mode or during cooking, press this button to adjust time
Reset	In standby state or when selecting mode, press this button to cancel all adjustments and reset to default mode setting
Turn Knob	<ul style="list-style-type: none"> In standby state, turn knob to select mode, press knob to start cooking When adjusting temperature/time, turn knob to increase or decrease temperature/time During cooking, press knob to cancel cooking and return to standby state

Operation Instructions

Display Panel	Description
PRE	Signals that product is preheating
SHUT LID	Signals user to shut the Air Fry Hood
FLIP LID	Signals user to open or detach the Air Fry Hood
FLIP	Signals user to flip food over
ADD FOOD	Signals user to place in food
END	Signals that product has finished cooking and stopped heating
FOOD PAN	Signals user to place in Grill Pan
MAX / HI / MED / LO	Signals that power is at Maximum / High / Medium / Low

⚠ WARNING!

The Grill Pan must be used with all cooking modes!

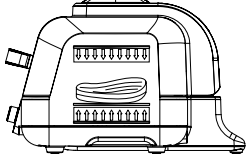
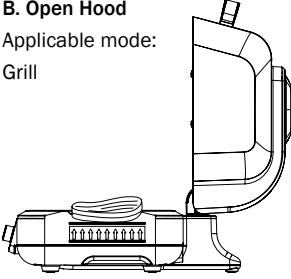
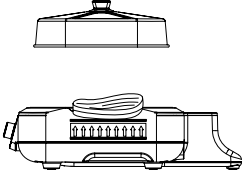
Cooking Steps

- Clean and dry Grill Pan, place it into the product base. The Grill Pan is necessary for all cooking modes, other accessories are optional for different cooking modes.
- Connect the power source. Press On/Off Button to turn on product, product enters standby state. Rotate Turn Knob to select mode (mode details listed below):

Mode	Description	Default Temperature/Power	Default Time	Adjustable Temperature/Power	Adjustable Time	Recommended Accessories
Grill	Grills and sears food from both above & below, locks in moisture so food is seared outside and succulent inside	High	10 min	Max/High/Medium/Low	1 - 30 min	Air Fry Hood + Grill Pan
Roast	Slow roasts at low heat, suitable for thick cuts of meat or food with sauce	180 °C	25 min	120 °C-220 °C	1 min - 4 hr	Air Fry Hood + Grill Pan
Broil	Suitable for salt-baked food	230 °C	10 min	230 °C-250 °C	1 min - 1 hr	Air Fry Hood + Grill Pan
BBQ	Suitable for pan-fry or barbecue food	220 °C	30 min	170 °C/185 °C/205 °C/220 °C	1-30 min	Air Fry Hood / Grill Pan Lid + Grill Pan
Defrost	Quick defrost of frozen food	65 °C	6 hr	25 °C-90 °C	1 min - 12 hr	Air Fry Hood + Grill Pan
Air Fry	Creates deep fry effect without oil	190 °C	18 min	150 °C-230 °C	1 hr	Air Fry Hood + Fry Basket + Grill Pan
Bake	Suitable for baking bread, cake and pastry	160 °C	35 min	120 °C-205 °C	1 min - 4 hr	Air Fry Hood + Grill Pan
Steam	Cooks food with hot steam	P1	10 min	P1-P3	1 min - 1 hr	Grill Pan Lid + Steam Rack + Grill Pan
Stew	Slow cooks food	P1	1 hr	P1-P3	30 min - 4 hr	Grill Pan Lid + Grill Pan
Combi	Steam and then Grill	Steam: P1 Grill: 180 °C	Steam: 30 min Grill: 10 min	Steam: P1-P3 Grill: 150 °C-220 °C	Steam: 1 min - 2 hr Grill: 1 - 30 min	Grill Pan Lid + Steam Rack + Grill Pan + Air Fry Hood
Keep Warm	Keeps food warm	70 °C	24 hr	/	/	/

Operation Instructions

- This product can be used in 3 ways – Closed Hood, Open Hood and Detached Hood, and each way caters to different modes, as shown in the table below:

A. Closed Hood	B. Open Hood	C. Detached Hood
<p>Applicable modes: Grill Bake, Roast, Broil, Defrost, Air Fry, Bake</p> 	<p>Applicable mode: Grill</p> 	<p>Applicable modes: Steam, Stew</p> 

A. Closed Hood Cooking

Note:

Air Fry Hood must be used.

- Select Grill / Roast / Broil / Defrost / Air Fry / Bake mode, then:
 - To adjust temperature or power, press Temperature Button then rotate Turn Knob to adjust.
 - To adjust time, press Time Button then rotate Turn Knob to adjust.
 - Press Turn Knob to start cooking.
- Grill Bake, Roast, Air Fry and Bake modes come with Preheat function:
 - If the selected mode has Preheat function, product will automatically start to preheat, Display Panel will show “PRE” and preheat progress; after preheat is completed, Display Panel will flash “ADD FOOD” and buzzer will beep to remind user to place in the food. Open the Air Fry Hood, place in food and close hood. Product will start to cook, and Display Panel will show set temperature/power and remaining cooking time.
 - If selected mode does not have Preheat function, product will automatically start to cook, and Display Panel will show set temperature/power and remaining cooking time.

Note:

- During preheating, pressing Preheat Button will cancel preheat and product will directly start cooking.
- If user does not place in food within 15 minutes after preheating is completed, the product will automatically turn off.
- If user opens the Air Fry Hood during preheating or cooking, Display Panel will flash “SHUT LID” and the upper heating element will stop heating, but the lower heating element will continue to heat.
- During cooking, press Temperature Button/Time Button to adjust temperature/time, when adjustment is completed, Display Panel flashes 5 time then automatically confirms the current setting.

Operation Instructions

3. If using Grill Bake / Roast / Broil / Defrost / Air Fry / Bake modes for more than 2 minutes, Display Panel will flash "FLIP" and buzzer will beep to remind user to flip the food over. If user does not want to flip the food, simply ignore the reminder.
4. After cooking is finished, Display Panel will flash "END" and buzzer will beep, after which the product will turn off.

B. Open Hood Cooking

Note:

Using the Air Fry Hood is optional. If Air Fry Hood is used, when the hood is opened, only the lower heating element will heat; when the hood is closed, both upper and lower heating elements will heat.

1. Select Grill mode, then:
 - To adjust temperature (170°C/185°C/205°C/220°C), press Temperature Button then rotate Turn Knob to adjust.
 - To adjust time, press Time Button then rotate Turn Knob to adjust.
 - Press Turn Knob to start cooking.
2. Grill mode has Preheat function. Product will start to preheat, Display Panel will show "PRE" and heating progress; after preheat is completed, Display Panel will flash "ADD FOOD" and buzzer will beep for 5 seconds to remind user to place in the food, then product will start to cook, and Display Panel will show set temperature and remaining cooking time.

Note:

- During preheat, pressing Preheat Button will cancel preheat and product will directly start cooking.
- During cooking, press Temperature Button/Time Button to adjust temperature/time, when adjustment is completed, Display Panel flashes 5 time then automatically confirms the current setting.

3. If cooking time is more than 2 minutes, Display Panel will flash "FLIP" and buzzer will beep to remind user to flip the food over. If user does not want to flip the food, simply ignore the reminder.
4. After cooking is finished, Display Panel will show "END" and buzzer will beep, after which the product will turn off.

C. Detached Hood Cooking

Note:

- Air Fry Hood must be opened or detached, otherwise the product will not operate properly. Detached hood cooking is recommended for steaming, stewing or steam-grilling food.
- The maximum amount of water that can be added into the Grill Pan does not exceed 1.5 liters.

Operation Instructions

1. Select mode, then:
 - To adjust power (P1-P3), press Temperature Button then rotate Turn Knob to adjust.
 - To adjust time, press Time Button then rotate Turn Knob to adjust.
 - Press Turn Knob to start cooking.
2. Steam mode has Preheat function:
 - If Steam mode is selected, product will start to preheat, Display Panel will show "PRE" and preheat progress; after preheat is completed, Display Panel will flash "ADD FOOD" and buzzer will beep for 5 seconds to remind user to place in the food, then product will start to cook, and Display Panel will show set power and remaining cooking time.
 - If Stew mode is selected, product will directly start to cook, Display Panel will show set temperature/power and remaining cooking time.

Note:

- During preheat, pressing Preheat Button will cancel preheat and product will directly start cooking.
- During preheat or cooking, if Air Fry Hood is closed, Display Panel will show "FLIP LID" to remind user to open or detach the hood.
- During cooking, press Temperature Button/Time Button to adjust temperature/time, when adjustment is completed, Display Panel flashes 5 time then automatically confirms the current setting.

3. After cooking is finished, Display Panel will show "END" and buzzer will beep, after which the product will turn off.

Combi Mode

1. In standby state, select Combi Mode.
2. To adjust power or time, please follow the steps in "C. Detached Hood Cooking".
3. After steaming is completed, take out the food and steam rack, pour off the water inside the Grill Pan (please be careful of hot water), then put the Steam Rack and food inside the Grill Pan.
4. Install and close the Air Fry Hood, product will automatically resume cooking.
5. After cooking is completed, display panel shows "END", buzzer beeps and product will automatically turn off.

Keep Warm Mode

1. In standby state, press Keep Warm Button to enter keep warm state.
2. Display Panel shows "WARM" and product will keep warm at a constant 70°C. Default keep warm time is 24 hours and is not adjustable. During Keep Warm period, pressing Keep Warm Button again will cancel keep warm and return to standby state.
3. After Keep Warm time is up, Display Panel will show "END" and buzzer will beep, after which the product will return to standby state.

Cleaning & Maintenance

⚠ WARNING!

- Turn off this product, unplug it from the power source and wait until it has cooled down completely before cleaning and maintenance.
 - DO NOT clean with metal tools to avoid damaging this product and its accessories; DO NOT wet or immerse Air Fry Hood, main unit and base of the Grill Pan in water or other liquids.
1. Before cleaning this product, make sure it has been unplugged from the power source. Remove food inside the product, and wait until the product has completely cooled down.
 2. Aside from the main unit, Air Fry Hood and Grill Pan, the other accessories can be put in the dishwasher.
 3. It is recommended to rinse the accessories with warm water before putting into the dishwasher. This helps to clean them more thoroughly.
 4. If washing by hand, it is recommended to soak the accessories in warm soapy water first to loosen food debris and grease, then wash with soft washcloth and towel dry them afterwards.
 5. After cooking, food debris or grease may stick to the cavity of this product. It is recommended to wipe them off with moist washcloth immediately after use then let the product air dry.
 6. DO NOT wash the Grill Pan in the dishwasher. It can only be washed by hand, and DO NOT wet the base of the Grill Pan.

Technical Specification

Model	ESG-1706
Voltage / Frequency	220V~ / 50Hz
Power	1750 W
Product Dimensions	(H) 284 (W) 444 (D) 390 mm
Net Weight	8.3 kg
Gross Weight	11.9 kg

- Specification is subject to change without prior notice.
- If there is any inconsistency or ambiguity between the English version and the Chinese version, the Chinese version shall prevail.
- Refer to www.germanpool.com for the most update version of the user manual.

目錄

警告及注意事項	14
產品結構	15
使用說明	17
清潔及保養	22
技術規格	22
保用條款	23

警告及注意事項

⚠ 警告！

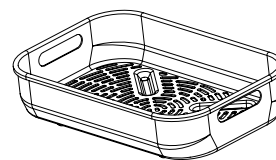
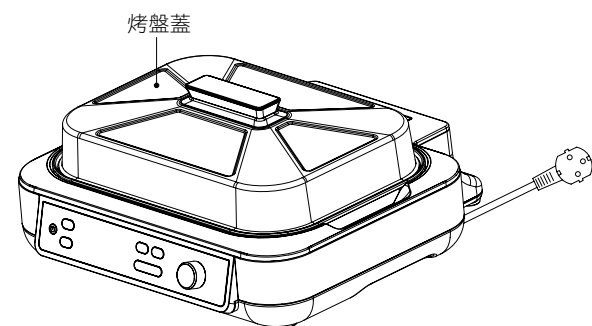
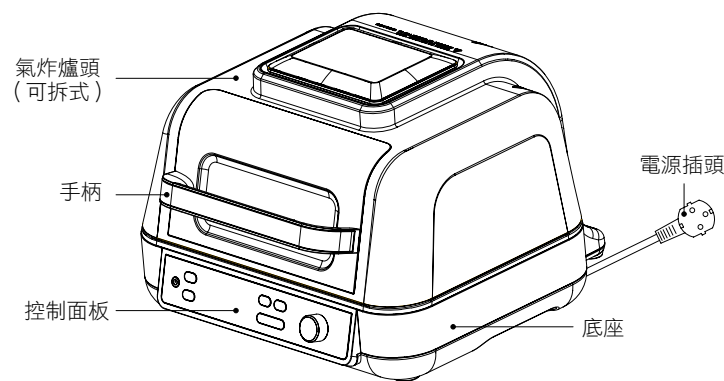
使用本產品前，請仔細閱讀所有說明。

- 本產品只限家居室內日常使用，如產品作任何商業、工業、出租或其他用途，保用證即告失效。
- 請勿讓兒童或身體有殘障、精神不健全及對本產品缺乏經驗或知識的人士單獨使用本產品；如需使用，必須要在負責任的成年人監管下方可使用。
- 應照顧好兒童，確保他們不會玩弄本產品。
- 無成年人監管下，勿讓兒童清潔及維護本產品。
- 使用前，請先檢查所有電壓是否與本產品標籤上的電壓相符。
- 如果電源線損壞，為免發生意外，電源線必須由廠方、廠方指定的維修中心或同等合格的技術人員進行更換。
- 清潔或檢查本產品前，必須先關機及拔掉插頭。
- 請聯繫德國寶授權的技術人員進行維修或保養本產品。

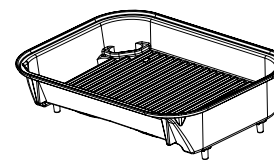
1. 為了消除兒童窒息的危險，打開包裝盒後，丟棄所有包裝材料或將它們放在兒童接觸不到的地方。
2. 本產品僅限閱讀並理解本說明書內容的成人使用。禁止身體殘疾、感官或精神殘疾、缺乏相關經驗或知識的人士（包括兒童）使用本產品。
3. 必須將本機及其電源線置於兒童接觸不到的地方。嚴禁讓兒童使用本產品。在兒童附近使用時必須密切監督。
4. 本產品只供家庭使用，嚴禁用於其他與此無關的用途。嚴禁在室外或其他非室內場景中使用（例如移動房車等）。
5. 必須將本機置於兒童接觸不到的地方，並確保表面平整、清潔、乾燥。嚴禁把本產品放在灶台邊緣，以免掉下去。
6. 嚴禁在檯面下面使用插座。嚴禁使用延長線，以免絆倒或纏繞他人。
7. 使用本產品時，必須與周圍物體保持一定的空間，以保證空氣流通。建議至少15厘米。
8. 為防止觸電，嚴禁觸摸或將電源線、插頭或主機浸入水或其他液體中。
9. 使用本產品前，必須確保本產品裝配正確，沒有故障或損壞。如果電源線或插頭損壞，嚴禁使用本機。
10. 使用本產品前，必須瞭解配件的用途。嚴禁使用非推薦配件，以避免發生火災或人身傷害的風險。
11. 使用本產品前，必須安裝烤盤。烤盤是所有功能的必備，其他配件取決於不同的食物或烹飪方法。
12. 把任何配件放入本產品前，確保它們是乾淨和乾燥的。
13. 使用時嚴禁移動本產品。本產品運行時，嚴禁蓋住進風口或出風口，否則可能會損壞或導致機器過熱。
14. 嚴禁在烹飪過程中或烹飪後立即接觸機身或附件（手柄和操作面板除外），為防止燙傷，需要使用烤箱手套拿取食物。
15. 如果從本產品中發生油脂火災或出黑煙，必須立即拔下插頭。
16. 本產品不能外接計時器或獨立的遙控器遙控控制系統的方式下運行。
17. 不使用本產品時和清潔必須拔掉插頭。

產品結構

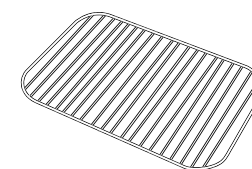
主機及配件



炸籃



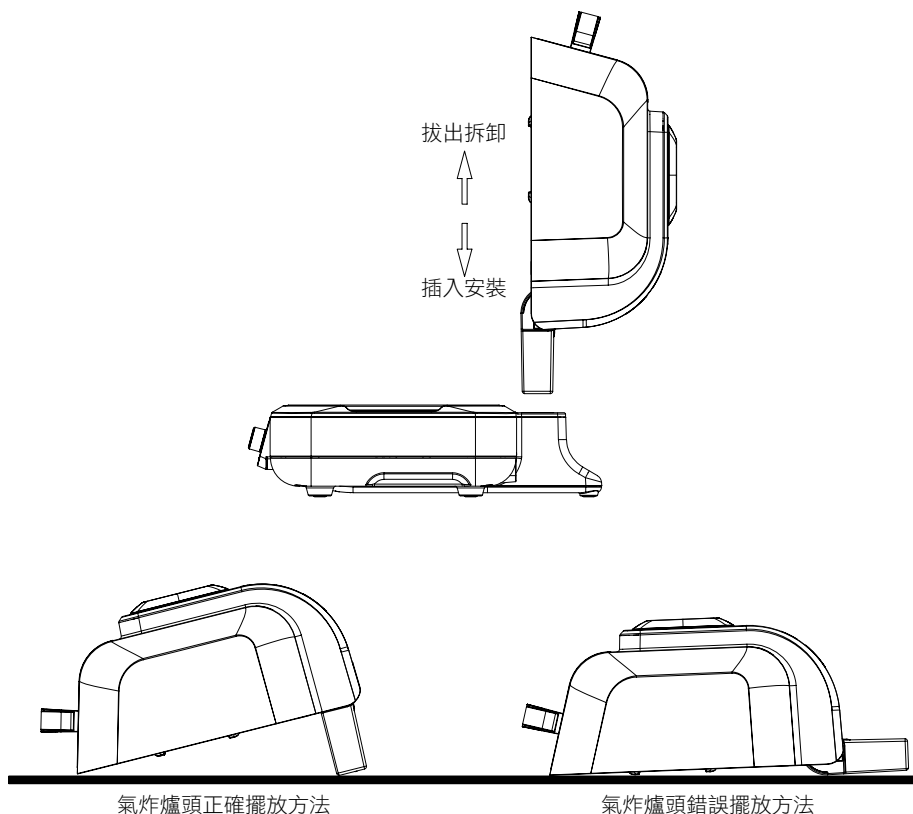
烤盤



蒸架

產品結構

氣炸爐頭安裝及拆卸



使用說明

使用前準備事項

1. 從本產品上拆下所有包裝材料、標籤和膠帶。
2. 從包裝裡取下所有配件，仔細閱讀本說明書。注意操作說明、警告和重要的防護措施，避免造成人身傷害或財產損失。
3. 清潔烤盤、炸籃、蒸架和其他配件，烤盤蓋、炸籃和蒸架可使用洗碗機清洗；嚴禁弄濕主機、氣炸爐頭及烤盤底部。
4. 首次使用前，選擇「空氣炸」功能，將溫度調節到最高230°C，時間為30分鐘，放入非食用食材烹調，可達至去除新產品氣味的效果。
5. 首次使用時，加熱時會冒出一點白煙或氣味，這是發熱元件首次使用所產生的熱化現象，屬於正常現象。

控制面板



按鍵	說明
開關鍵	· 按此鍵開機進入待機狀態 · 再按一次此鍵關機
保溫鍵	· 在待機狀態下按此鍵直接進入保溫狀態 · 保溫期間再按一次此鍵取消保溫，返回待機狀態
取消預熱鍵	部份模式設有預熱功能，預熱期間按此鍵可取消預熱，直接進入後續烹調工作
溫度鍵	選擇模式或烹調期間，按此鍵調節溫度
時間鍵	選擇模式或烹調期間，按此鍵調節時間
重置鍵	在待機狀態或選擇模式期間，按鍵取消所有設置，恢復預設設置
旋鈕	· 在待機狀態下擰動旋鈕選擇模式，按旋鈕開始烹調 · 調節溫度或時間期間，擰動旋鈕增加或減少溫度或時間 · 在烹調期間，按旋鈕取消烹調并返回待機狀態

使用說明

顯示屏顯示	說明
PRE	代表產品正在預熱中
SHUT LID	代表需要蓋上氣炸爐頭
FLIP LID	代表需要打開或拆卸氣炸爐頭
FLIP	代表需要翻動食物
ADD FOOD	代表需要放入食物
END	代表烹調結束，產品停止加熱
FOOD PAN	代表需要放入烤盤
MAX / HI / MED / LO	代表火力為「最高 / 高 / 中 / 低」

⚠ 警告！

本產品所有功能都必須配合烤盤使用！

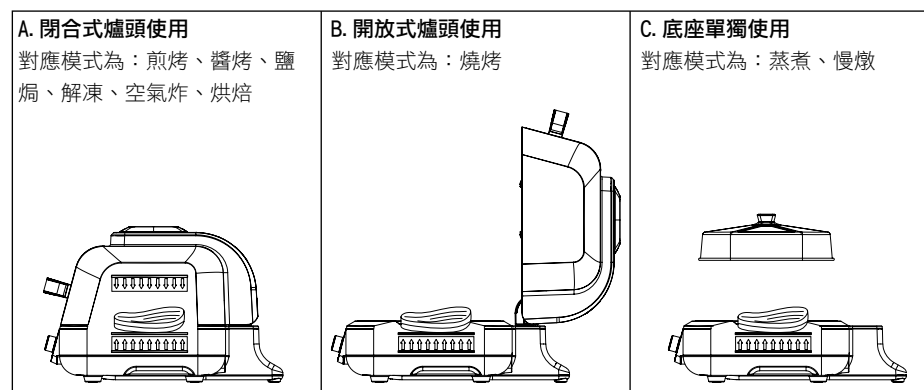
烹調步驟

- 把烤盤清潔乾淨後放在底座內。本產品所有功能都必須配合烤盤使用，其他配件則可按需要自行搭配。
- 接通電源後按「開關鍵」開機進入待機狀態，擰動旋鈕選擇所需功能，詳細功能請參考下表：

功能	說明	預設溫度/火力	預設時間	可調溫度/火力	可調時間	建議配件
煎烤	上下加熱炙烤食物，能鎖住食物水分，達到外焦裡嫩效果	高檔	10分鐘	最高/高/中/低	1 - 30分鐘	氣炸爐頭+烤盤
醬烤	低溫慢烤燜焗食物，適用於烤較厚的肉類或含醬料類食物	180°C	25分鐘	120°C-220°C	1分鐘 - 4小時	氣炸爐頭+烤盤
鹽焗	製作鹽焗類食物	230°C	10分鐘	230°C-250°C	1分鐘 - 1小時	氣炸爐頭+烤盤
燒烤	用於煎餅類食物和燒烤類食物	220°C	30分鐘	170°C/185°C/205°C/220°C	1-30分鐘	氣炸爐頭/烤盤蓋+烤盤
解凍	對冷凍食物進行快速解凍	65°C	6小時	25°C-90°C	1分鐘 - 12小時	氣炸爐頭+烤盤
空氣炸	能製作出與油炸效果相當的食物	190°C	18分鐘	150°C-230°C	1小時	氣炸爐頭+炸籃+烤盤
烘焙	適用於製作麵包、蛋糕等類型食物	160°C	35分鐘	120°C-205°C	1分鐘 - 4小時	氣炸爐頭+烤盤
蒸煮	對食物進行蒸氣加熱	P1	10分鐘	P1-P3	1分鐘 - 1小時	烤盤蓋+蒸架+烤盤
慢燉	長時間燉煮食物	P1	1小時	P1-P3	30分鐘 - 4小時	烤盤蓋+烤盤
蒸烤	先蒸後烤食物	蒸:P1 烤:180°C	蒸:30分鐘 烤:10分鐘	蒸:P1-P3 烤:150°C-220°C	蒸:1分鐘 - 2小時 烤:1 - 30分鐘	烤盤蓋+蒸架+烤盤+氣炸爐頭
保溫	將食物長時間保持溫暖	70°C	24小時	/	/	/

使用說明

- 本產品共有三種使用方法以配對不同模式，分別為閉合式爐頭使用、開放式爐頭使用，及底座單獨使用，如下表：



A. 閉合式爐頭使用

注意：

使用此方式進行烹調必須配合氣炸爐頭使用。

- 選擇煎烤/醬烤/鹽焗/解凍/空氣炸/烘焙模式後：
 - 如需調節溫度或火力，按「溫度鍵」再擰動旋鈕進行調節。
 - 如需調節時間，按「時間鍵」再擰動旋鈕進行調節。
 - 然後按旋鈕開始烹調。
- 煎烤、醬烤、空氣炸、烘焙模式具備預熱功能：
 - 如所選模式具備預熱功能，產品開始預熱，顯示屏顯示「PRE」及預熱進度；完成後顯示屏閃爍顯示「ADD FOOD」並發出蜂鳴器響聲提示放入食物。此時打開氣炸爐頭，放入食物後蓋上氣炸爐頭，產品開始烹調，顯示屏顯示設定溫度或火力和剩餘時間。
 - 如所選模式無預熱功能，產品直接開始烹調，顯示屏顯示設定溫度或火力和剩餘時間。

注意：

- 預熱期間按「預熱鍵」可取消預熱並直接開始烹調。
- 如預熱完成後15分鐘內無放入食物，產品將自動關機。
- 如在預熱或烹調期間打開氣炸爐頭，顯示屏閃爍顯示「SHUT LID」並停止上加熱，但下發熱線仍然持續加熱。
- 烹調期間可按「溫度鍵」及「時間鍵」調整溫度及時間，調節完成後數值閃爍5次後自動確認當前設置。

- 如使用煎烤/醬烤/鹽焗/解凍/空氣炸/烘焙模式且烹調時間大於2分鐘，烹調期間顯示屏閃爍顯示「FLIP」並發出蜂鳴器響聲提示翻轉食物。如無需翻轉食物可不用理會。
- 烹調結束後，顯示屏閃爍顯示「END」並發出蜂鳴器響聲，並自動關機。

使用說明

B. 開放式爐頭使用

注意：

使用此方式進行烹調，可配合氣炸爐頭使用，當打開氣炸爐頭時，下發熱線將持續加熱，當蓋上氣炸爐頭時，則上下發熱線同時加熱。

- 選擇燒烤模式後：
 - 如需調節溫度（170°C/185°C/205°C/220°C），按「溫度鍵」再擰動旋鈕進行調節；
 - 如需調節時間，按「時間鍵」再擰動旋鈕進行調節。
 - 然後按旋鈕開始烹調。
- 燒烤模式具備預熱功能，產品開始預熱，顯示屏顯示「PRE」及預熱進度；完成後顯示屏閃爍顯示「ADD FOOD」並發出蜂鳴器響聲提示放入食物。閃爍5次後產品開始烹調，顯示屏顯示設定溫度和剩餘時間。

注意：

- 預熱期間按「預熱鍵」可取消預熱並直接開始烹調。
- 烹調期間可按「溫度鍵」及「時間鍵」調整溫度及時間，調節完成後數值閃爍5次後自動確認當前設置。

- 如烹調時間大於2分鐘，烹調期間顯示屏閃爍顯示「FLIP」並發出蜂鳴器響聲提示翻轉食物。如無需翻轉食物可不用理會。
- 烹調結束後，顯示屏顯示「END」並發出蜂鳴器響聲，並自動關機。

使用說明

C. 底座單獨使用

注意：

- 使用此方式進行烹調，必須將氣炸爐頭拆卸或持續打開，否則產品將無法正常運作。建議用於蒸煮、慢燉或蒸烤食物。
- 烤盤允許最大注水量不超1.5公升。

- 選擇模式後：
 - 如需調節火力（P1-P3），按「溫度鍵」再擰動旋鈕進行調節。
 - 如需調節時間，按「時間鍵」再擰動旋鈕進行調節。
 - 完成後數值閃爍5次後自動確認當前設置，然後按旋鈕開始烹調。
- 蒸煮模式具備預熱功能：
 - 如選擇蒸煮模式，產品開始預熱，顯示屏顯示「PRE」及預熱進度，完成後顯示屏閃爍顯示「ADD FOOD」並發出蜂鳴器響聲提示放入食物。閃爍5次後產品開始烹調，顯示屏顯示設定火力和剩餘時間。
 - 如選擇慢燉模式，產品直接開始烹調，顯示屏顯示設定溫度或火力和剩餘時間。

注意：

- 預熱期間按「預熱鍵」可取消預熱並直接開始烹調。
- 如在預熱或烹調期間蓋上氣炸爐頭，顯示屏顯示「FLIP LID」提示打開或拆卸爐頭。
- 烹調期間可按「溫度鍵」及「時間鍵」調整溫度及時間，調節完成後數值閃爍5次後自動確認當前設置。

- 烹調結束後，顯示屏顯示「END」並發出蜂鳴器響聲，並自動關機。

蒸烤模式

- 在待機狀態下，選擇「蒸烤模式」。
- 如需調節火力及時間，請參閱「C. 底座單獨使用」。
- 蒸煮部分完成後，先取出食品及蒸架，將烤盤內的水倒掉（倒水時注意燙手），然後將蒸架和食物放回烤盤內。
- 安裝並蓋上氣炸爐頭，產品即自動繼續烹調。
- 烹調結束後，顯示屏顯示「END」及發出蜂鳴器響聲，並自動關機。

保溫模式

- 在待機狀態下，按「保溫鍵」進入保溫狀態。
- 顯示屏顯示「WARM」，產品以70°C恆定保溫，預設保溫時間為24小時，不可調節。保溫期間再按「保溫鍵」可取消保溫，返回待機狀態。
- 保溫結束後，顯示屏顯示「END」並發出蜂鳴器響聲，並自動關機。

清潔及保養

⚠ 警告！

- 清潔及保養本產品前，必須先關機並拔除電源插頭，待產品涼卻後再進行清潔。
- 嚴禁使用金屬清潔工具，以免損壞配件；嚴禁將主機、氣炸爐頭及烤盤放入水中或其他液體中。

- 清洗前確認電源已拔除，食物需取出，機身需完全涼卻。
- 除主機、氣炸爐頭、烤盤之外，其他配件可以在洗碗機中清洗。
- 在使用洗碗機清洗之前，建議用溫水沖洗配件，以便更好地清潔。
- 如手洗清潔，建議將配件在溫肥皂水中浸泡一會，清潔食物殘渣和油脂，然後用軟抹布清潔及擦乾。
- 使用本產品後，食物殘渣或油脂可能黏附在內腔。建議每次使用後及時用濕抹布擦拭及晾乾。
- 烤盤嚴禁在洗碗機中清洗，只能用乾洗，嚴禁弄濕烤盤底部。

技術規格

型號	ESG-1706
電壓 / 頻率	220V~ / 50Hz
功率	1750 W
產品尺寸	(H) 284 (W) 444 (D) 390 mm
淨重	8.3 kg
總重量	11.9 kg

- 產品規格及設計如有變更，恕不另行通知。
- 中英文版本如有出入，一概以中文版為準。
- 本產品使用說明書以www.germanpool.com網上版為最新版本。

保用條款

此保用提供德國寶產品之機件在正常使用下壹年保用(自購買日起計算)。

- * 貴戶須在購機十天內，以下列其中一種方式向本公司登記資料，保用手續方正式生效：

- 1) 填妥德國寶VIP手機應用程式保用登記表(掃描右方二維碼)
- 2) 填妥本公司網頁保用登記表
www.germanpool.com/warranty
- 3) 填妥保用卡郵寄至本公司。



Warranty Terms & Conditions

Under normal operations, the product will guarantee a 1-year full warranty provided by German Pool (effective from the date of purchase).

- * This warranty is not valid until customer registration information is received by our Service Centre within 10 days of purchase via one of the following means:

- 1) Visit our VIP App and register online: (Scan the QR Code on the right)
- 2) Visit our website and register online: www.germanpool.com/warranty
- 3) Complete the attached Warranty Card and mail it back to our Customer Service Centre.



另請填妥以下表格並與正本發票一併保存，以便維修時核對資料。用戶提供之所有資料必須正確無誤，否則免費保用將會無效。 Please fill out the form below. This information and the original purchase invoice will be required for any repairs. Warranty will be invalidated if information provided is found to be inaccurate.

型號 Model No. : ESG-1706

機身號碼 Serial No. : _____ 發票號碼 Invoice No. : _____

購買商號 Purchased From : _____ 購買日期 Purchase Date : _____

1. 未能出示購買發票正本者，將不獲免費維修服務。
 2. 用戶應依照說明書的指示操作。本保用並不包括：
 - 上門安裝、檢驗、維修或更換零件之人工以及一切運輸費用；
 - 因天然與人為意外造成的損壞(包括運輸及其他)；
 - 電源接合不當、不依說明書而錯誤或疏忽使用本機所引致之損壞。
 3. 於下列情況下，用戶之保用資格將被取消：
 - 購買發票有任何非認可之刪改；
 - 產品被用作商業或工業用途；
 - 產品經非認可之技術人員改裝或加裝任何配件；
 - 機身編號被擅自塗改、破壞或刪除。
 4. 總代理有權選擇維修或更換配件或其損壞部份。
 5. 產品一經被轉讓，其保用即被視作無效。
1. Customer who fails to present original purchase invoice will not be eligible for free warranty service.
 2. Customer should always follow the operating instructions. This warranty does not apply to:
 - labour costs for on-site installation, check-up, repair, replacement of parts and other transportation costs;
 - damages caused by accidents of any kind (including material transfer and others);
 - operating failures resulting from applying incorrect voltage, improper usage, and unauthorized installations or repairs.
 3. This warranty is invalid if:
 - the purchase invoice is modified by an unauthorized party;
 - the product is used for any commercial or industrial purposes;
 - the product is repaired or modified by unauthorized personnel, or unauthorized parts are installed;
 - the serial number is modified, damaged or removed from the product.
 4. German Pool will, at its discretion, repair or replace any defective part.
 5. This warranty will be void if there is any transfer of ownership from the original purchaser.

客戶服務及維修中心

中國香港

九龍大業街59號

三湘九龍灣貨運中心地下B室

電話：+852 2773 2888

傳真：+852 2356 9798

電郵：repairs@germanpool.com

中國澳門

澳門青洲大馬路(青洲新路)

515號美居廣場第二期1樓A座

電話：+853 2875 2699

傳真：+853 2875 2661

Customer Service & Repair Centre

Hong Kong, China

Unit B, G/F, Sunshine Kowloon Bay

Cargo Centre, 59 Tai Yip Street,

Kowloon, Hong Kong

Tel : +852 2773 2888

Fax : +852 2356 9798

Email : repairs@germanpool.com

Macau, China

A, 1 Andar, Mei Kui Kuong Cheong Fase 2,

No.515 Avenida Do Conselheiro Borja

Macau

Tel : +853 2875 2699

Fax : +853 2875 2661

此保用只適用於香港及澳門

This warranty is valid only in Hong Kong and Macau

German Pool (Hong Kong) Limited

Hong Kong, China

Room 113, Newport Centre Phase II, 116 Ma Tau
Kok Road, Tokwawan, Kowloon, Hong Kong.
Tel: +852 2773 2888
Fax: +852 2765 8215

Mainland China

8th, Xinxiang Road, Wusha Industrial Park,
Daliang, Shunde, Foshan, Guangdong
Tel: +86 757 2219 6888
Fax: +86 757 2219 6809

Macau, China

A, 1 Andar, Mei Kui Kuong Cheong Fase 2,
No.515 Avenida Do Conselheiro Borja, Macau
Tel: +853 2875 2699
Fax: +853 2875 2661



香港《S MARK》
安全認證



中國標榜/家電行業
十大影響力品牌



CEO非凡品牌大賞



香港優質商標



香港工商業獎



2007
最具潛質
創星品牌企業獎



香港中小企業
最佳成績大獎



HONG KONG
CONSUMER CHOICE
2007



香港《Q標》
優質服務證書



香港名牌十年成就獎
HONG KONG TOP BRAND TEN YEAR
ACHIEVEMENT AWARD

©All rights reserved. Copying, reproducing or using the contents of this manual is not allowed without prior authorization from German Pool, violators will be prosecuted.