

Built-In Induction Cooker | GIC-DS28B-S GIC-PD28CB-S



Online Warranty Registration



Please read these instructions and warranty information carefully before use and keep them handy for future reference.

USER MANUAL

請即進行保用登記！
有關保用條款細則，請看說明書最後一頁。

Please register your warranty information now !
For Warranty Terms & Conditions,
please refer to the last page of this user manual.

Table of Contents

Warnings & Safety Precautions	04
Installation Instructions	07
Product Structure	10
Operating Instructions	11
Troubleshooting	15
Technical Specification	16
Warranty Terms & Conditions	31

Warnings & Safety Precautions

WARNING!

Read all instructions carefully before using this product.

- This product is for domestic indoor use only. If this product is used for any commercial, industrial, rental or other purposes, product warranty will be VOIDED.
- This product is not intended for use by children or persons with reduced physical, sensory or mental capabilities, or lack of experience and knowledge, unless they have been given supervision or instruction concerning use of this product by an adult responsible for their safety.
- Mind your children and DO NOT let children play with this product.
- Cleaning and user maintenance shall not be made by children without supervision.
- Check the voltage indicated on the rating label before using this product.
- If the supply cord is damaged, it must be replaced by the manufacturer, its service agent or similarly qualified persons in order to avoid hazards.
- Unplug this product from the power source before cleaning and maintenance.
- Contact German Pool authorized service technician for repair or maintenance of this product.

Thank you for purchasing German Pool Built-in Induction Cooker. To achieve optimal performance and ensure safety, please read this User Manual thoroughly in order to fully understand how to correctly install and operate this product, and the safety precautions that come with using this product. Please keep this user manual for future reference. Each product undergoes quality inspection before leaving the factory, so you can use it with confidence. We trust you will have a satisfactory experience using this product.

WARNING!

- The induction hob will be very hot even after it has been turned off. DO NOT TOUCH hob area until the product has completely cooled down.
- When this product is in use, DO NOT leave this product unattended.
- At all times, DO NOT use your bare hands to test the temperature of the cooktop.
- When this product is in use, DO NOT allow children near this product to avoid danger!
- UNDER NO CIRCUMSTANCES should food be cooked directly on the cooktop surface. This product must be used with appropriate cookware at all times!
- DO NOT place any flammable items on top or around the vicinity of this product, such as paper, film, plastic, cloth, curtain etc. to avoid fire hazard!

INSTALLATION

ELECTRICAL SHOCK HAZARD

- Disconnect this product from the mains electricity supply before carrying out any work or maintenance on it.
- Connection to a good earth wiring system is essential and mandatory.
- Alterations to the domestic wiring system must only be made by a qualified electrician.
- Failure to follow this advice may result in electrical shock or death.

CUT HAZARD

- Take care - panel edges are sharp.
- Failure to use caution could result in injuries or cuts.

Warnings & Safety Precautions

IMPORTANT SAFETY INSTRUCTIONS

- Read these instructions carefully before installing or using this product.
- No combustible materials or products should be placed on this product at any time.
- In order to avoid hazard, this product must be installed according to these instructions for installation.
- This product is to be properly installed and earthed only by a suitably qualified person.
- This product should be connected to a circuit which incorporates an isolating switch providing full disconnection from the power supply.
- Failure to install and use this product correctly could invalidate any warranty or liability claims.

OPERATION AND MAINTENANCE

ELECTRICAL SHOCK HAZARD

- DO NOT cook on a broken or cracked cooktop. If this product's surface should break or crack, switch this product off immediately at the mains power supply (wall switch) and contact a qualified technician.
- Switch this product off at the wall before cleaning or maintenance.
- Failure to follow this advice may result in electrical shock or death.

HEALTH HAZARD

- This product complies with electromagnetic safety standards.
- However, persons with cardiac pacemakers or other electrical implants (such as insulin pumps) must consult with their doctor or implant manufacturer before using this product to make sure that their implants will not be affected by the electromagnetic field.
- Failure to follow this advice may result in death.

HOT SURFACE HAZARD

- During use, accessible parts of this product will become hot enough to cause burns.
- DO NOT let your body, clothing or any item other than suitable cookware contact the induction glass until the surface is cool.
- Metallic objects such as knives, forks, spoons and lids should not be placed on the hob surface since they can get hot.
- Keep children away.
- Handles of saucepans may be hot to touch. Check saucepan handles. DO NOT let saucepan handles overhang onto other cooking zones that are on. Keep handles out of reach of children.
- Failure to follow this advice could result in burns and scalds.

IMPORTANT SAFETY INSTRUCTIONS

- Never leave this product unattended when in use. Boil-over causes smoking and greasy spillovers may ignite.
- Never use this product as a work or storage surface.
- Never leave any objects or utensils on this product.
- DO NOT place or leave any magnetizable objects (e.g. credit cards, memory cards) or electronic devices (e.g. computers, MP3 players) near this product, as they may be affected by its electromagnetic field.
- Never use this product for warming or heating the room.
- After use, always turn off the cooking zones and the cooktop as described in this manual (i.e. by using the touch controls). DO NOT rely on the pan detection feature to turn off the cooking zones when you remove the pans.
- DO NOT allow children to play with this product or sit, stand, or climb on it.

Warnings & Safety Precautions

- DO NOT store items of interest to children in cabinets above this product. Children climbing on the cooktop could be seriously injured.
- DO NOT leave children alone or unattended in the area where this product is in use.
- Children or persons with a disability which limits their ability to use this product should have a responsible and competent person to instruct them on its usage. The instructor should be convinced that they can use this product without causing danger to themselves or their surroundings.
- DO NOT repair or replace any part of this product unless specifically recommended in the manual. All other servicing should be done by a qualified technician.
- DO NOT use a steam cleaner to clean this product.
- DO NOT place or drop heavy objects on this product.
- DO NOT stand on this product.
- DO NOT use pans with jagged edges or drag pans across the induction glass surface as this can scratch the glass.
- DO NOT use dishwasher, scourers or any other harsh abrasive cleaning agents to clean this product, as these can scratch the Induction glass.
- If the supply cord is damaged, it must be replaced by the manufacturer, its service agent or similarly qualified persons in order to avoid a hazard.
- This product is intended to be used in household and similar applications such as: staff kitchen areas in shops, offices and other working environments; farm houses; by clients in hotels, motels and other residential type environments; bed and breakfast type environments.

WARNING!

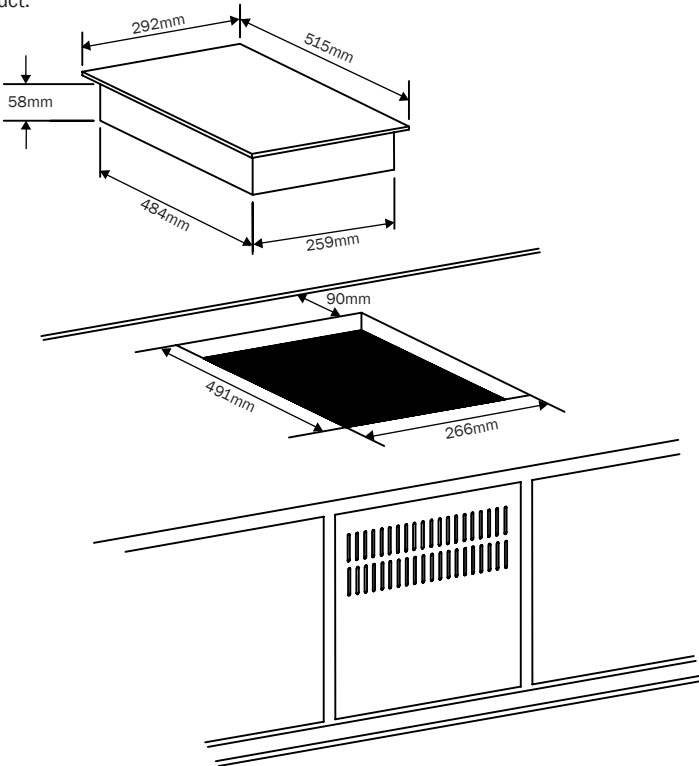
- This product and its accessible parts become hot during use. Care should be taken to avoid touching any heating elements.
- Children less than 8 years of age shall be kept away unless continuously supervised.
- This product can be used by children aged from 8 years and above and persons with reduced physical, sensory or mental capabilities or lack of experience and knowledge if they have been given supervision or instruction concerning use of this product in a safe way and understand the hazards involved.
- Children shall not play with this product. Cleaning and user maintenance shall not be made by children without supervision.
- Unattended cooking on a hob can be dangerous and may result in fire. NEVER try to extinguish a fire with water, instead switch off this product and then cover the flame with a lid or a fire blanket.
- Danger of fire! DO NOT store items on the cooking surfaces.
- If the surface is cracked, switch off this product to avoid the possibility of electric shock, for the hob surfaces of glass-ceramic or similar materials protect live parts inside this product.
- DO NOT use steam cleaner to clean this product.
- DO NOT operate this product by means of an external timer or separate remote-control system.
- Make sure there are no accessible metal parts after installation in accordance with this user manual.

Installation Instructions

⚠ WARNING!

- This product must be installed by a qualified technician and electrician. DO NOT conduct the operation by yourself.
- This product must not be installed directly above a dishwasher, refrigerator, freezer, oven, washing machine or clothes dryer, as the humidity may damage this product's electronics.
- This product shall be installed such that better heat radiation can be ensured to enhance its reliability.
- The wall and induced heating zone above the countertop must be able to withstand heat.

The countertop cutout for the cooktop can be made according to the dimensions provided in the diagram below. Please ensure that this product is installed at least 90mm away from the wall. The countertop must be at least 30mm thick and made of heat-resistant material to avoid deformation due to high heat from this product.



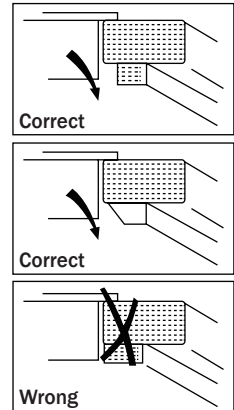
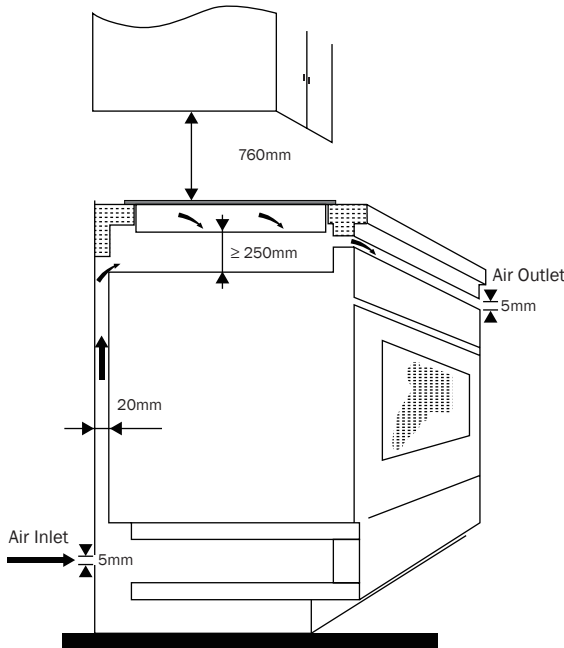
Note:

- Leave at least 250mm height of empty space under the counter for ventilation purposes.
- Please ensure the cabinet under this product is well ventilated so heat will not be trapped inside which may damage this product.

Installation Instructions

⚠ WARNING!

Make sure this product is well ventilated and the air inlet and outlet are not blocked under any circumstances to ensure this product can work in good condition.



Before Installing This Product, Make Sure:

- The work surface is straight and level, and no other structural components interfering with the space required.
- The work surface is made of heat-resistant materials.
- If this product is installed above an oven, that the oven has a built-in cooling fan.
- The installation complies with all clearance requirements and applicable standards and regulations.
- A suitable isolating switch providing full disconnection from the mains power supply is incorporated in the permanent wiring, mounted and positioned to comply with the local wiring rules and regulations.
- The isolating switch must be of an approved type and provides a 3mm air gap contact separation in all poles (or in all active [phase] conductors if the local wiring rules allow for this variation of the requirements).
- The isolating switch will be easily accessible to the user with the induction cooker installed.
- Consult your local building authorities and by-laws if in doubt regarding the installation.
- Use heat-resistant and easy-to-clean finishes (such as ceramic tiles) for the wall surfaces surrounding this product.

Installation Instructions

When Installing This Product, Make Sure:

- The power supply cable does not pass through cabinet doors or drawers.
- There is adequate flow of fresh air passing from outside the cabinetry through the cabinet reaching the base of the induction cooker.
- If this product is installed above a drawer or cupboard space, a thermal protection barrier is installed below the base of this product.
- The isolating switch is easily accessible by the user.

Installing This Product Onto The Countertop

1. Turn this product upside down and place it on a level surface.
2. Spread the seal around the edges of the glass ceramic with the adhesive side facing down, making sure that the whole perimeter is sealed. Cut off any excess material.
3. Using a sharp cutter or trimmer knife, trim the excess sealing material around the edge of this product. Take care not to damage the countertop.

Connecting This Product To The Mains Power Supply

This product must be connected to the mains power supply only by a qualified technician and electrician. Before connecting this product to the mains power supply, make sure:

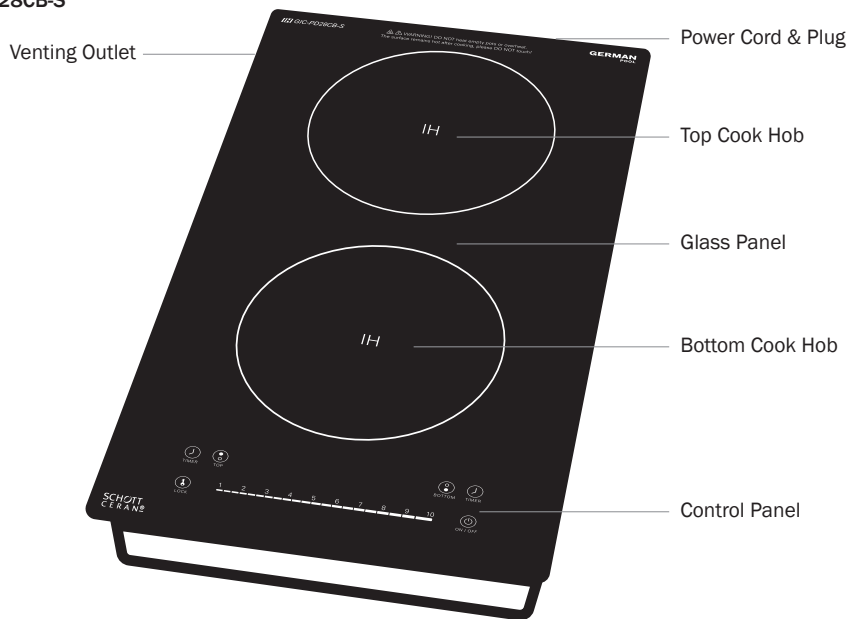
1. The domestic wiring system is suitable for the power drawn by this product.
2. The voltage corresponds to the value given in the rating plate of this product.
3. The power supply cable sections can withstand the load specified on the rating plate of this product.

WARNING!

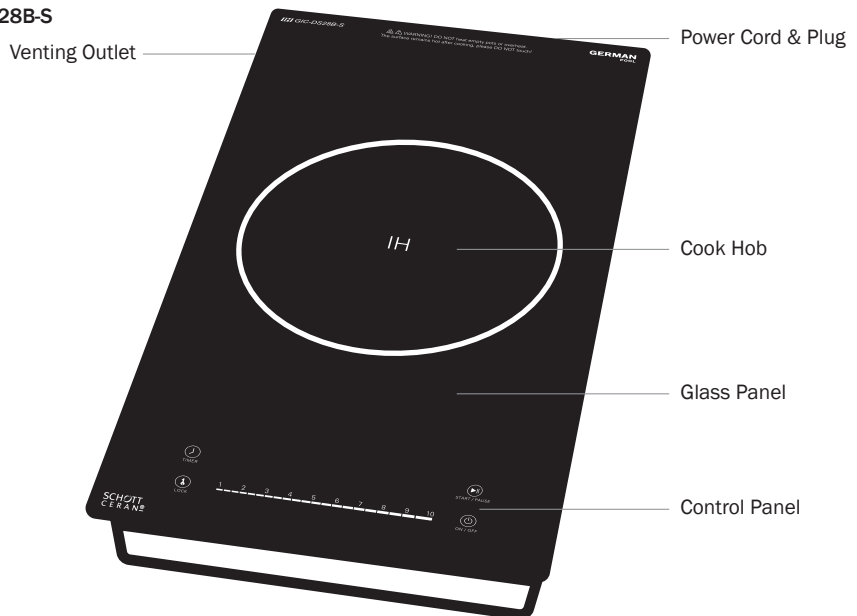
- To connect this product to the mains power supply, Do NOT use adapters, reducers, or branching devices, as they can cause overheating and fire.
- The power supply cable must not touch any hot parts and must be positioned so that its temperature will not exceed 75 °C at any point.
- Check with an electrician whether the domestic wiring system is suitable without alterations. Any alterations must only be made by a qualified electrician.
- If the cable is damaged or to be replaced, it must be repaired or replaced by German Pool Customer Service & Repair Centre as it requires dedicated tools to avoid any accidents.
- If this product is being connected directly to the mains, an omnipolar circuit-breaker must be installed with a minimum opening of 3mm between contacts.
- The installer must ensure that the correct electrical connection has been made and that it is compliant with safety regulations.
- The cable must not be bent or compressed.
- The cable must be checked regularly and replaced by authorized technicians only.

Product Structure

GIC-PD28CB-S



GIC-DS28B-S



Operating Instructions

Induction cooking is a safe, advanced, efficient, and economical cooking technology. It works by electromagnetic vibrations generating heat directly in the pan, rather than indirectly through heating the glass surface. The glass becomes hot only because the pan eventually warms it up.

Before Using Your New Induction Cooker

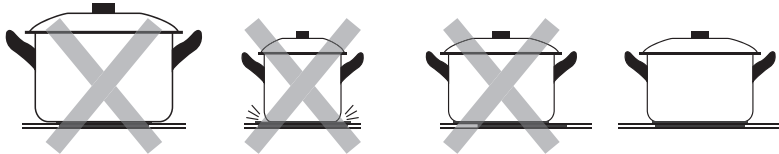
- Read this guide, taking special note of the 'Safety Warnings' section.
- Remove any protective film that may still be on your Induction Cooker.

Choosing the Right Cookware

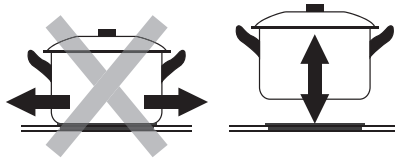
Do not use cookware with jagged edges or a curved base.



Make sure that the base of your pan is smooth, sits flat against the glass, and is the same size as the cooking zone. You can use pans which diameter is as large as the marked cooking zone. However, using a pot slightly larger than the marked cooking zone may be the most efficient use of energy; using a pot smaller than the marked cooking zone is the least efficient use of energy. Always center your pan on the cooking zone.



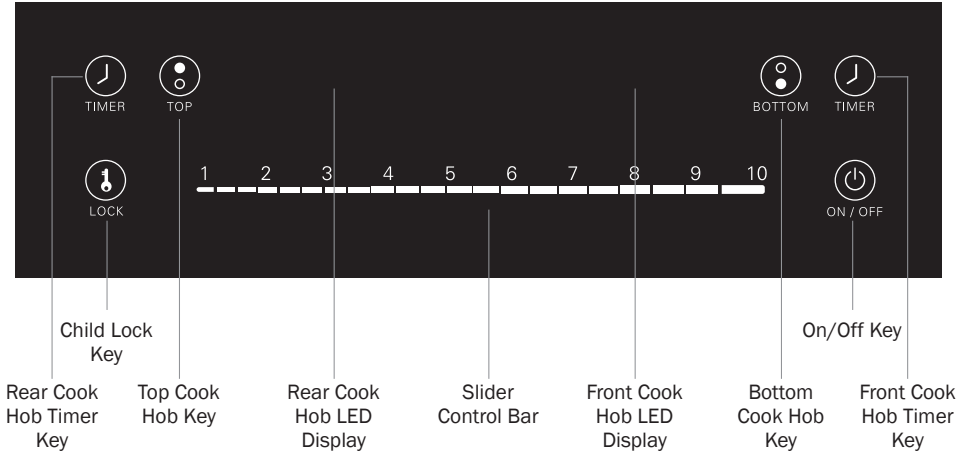
Always lift pans off the Induction Cooker, do not slide, or they may scratch the surface of the glass.



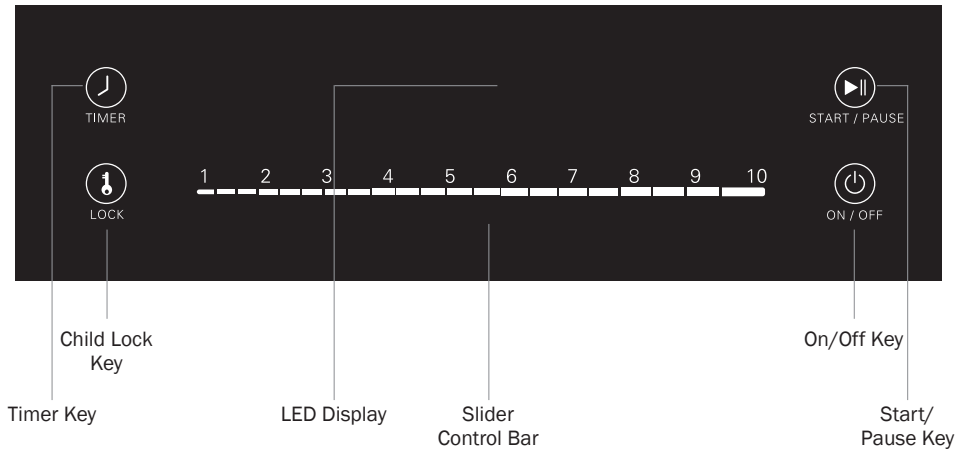
Operating Instructions

Control Panel

GIC-PD28CB-S










GIC-DS28B-S



Operating Instructions

Control Keys

Control Key	Description
 LOCK	Child Lock Key <ul style="list-style-type: none">Tap this key once to activate Child Lock function. When Child Lock function is activated, all other keys will cease to respond.When Child Lock is activated, tap and hold this key for 3 seconds to deactivate Child Lock Function.
 ON / OFF	On/Off Key <ul style="list-style-type: none">Tap this key to turn on the product. Product enters standby state, display shows "—".Tap this key again to turn off the product.
	Slider Control Bar <ul style="list-style-type: none">During cooking, slide finger along this bar or directly tap 1-10 to adjust the power of the hob.Tap 1 to directly set the power to 600W (minimum).Tap 10 to directly set the power to 2,800W (maximum).
 BOTTOM	Bottom Cook Hob Key (GIC-PD28B-S only) <ul style="list-style-type: none">When product is turned on, tap this key to select the bottom cook hob, then adjust the power.
 TOP	Top Cook Hob Key (GIC-PD28B-S only) <ul style="list-style-type: none">When product is turned on, tap this key to select the top cook hob, then adjust the power.
 TIMER	Timer Key <ul style="list-style-type: none">When the product is turned on, tap this key to enter into Timer setting. Countdown timer can be set for 0-180 minutes.Tap 1 to decrease timer, each decrement is 1 minute; tap 10 to increase timer, each increment is 5 minutes.
 START / PAUSE	Start/Pause Key (GIC-DS28B-S only) When product is turned on, tap this key to start or pause cooking.

Operating Instructions

How To Use

WARNING!

Make sure cookware can be used with induction cookers. Place cookware on the cooking area of the hob, and make sure the bottom of the cookware and the surface of the cooking area are clean and dry.

1. Connect product to the power source, product enters locked state by default, Child Lock Indicator Light lights up constant, all other keys are inoperable, including On/Off Key.
2. Tap and hold Child Lock Key for 3 seconds to unlock the product. Product enters standby state, LED display shows “----”. If the product does not receive any further command in 30 seconds, it will automatically return to locked state again.

Start Cooking

1. (For GIC-DS28B-S) In standby state, adjust power by sliding finger along the slider control bar, or by tapping directly on numbers 1-10. Product starts to heat up.
(For GIC-PD28CB-S) In standby state, tap Bottom Cook Hob Key or Top Cook Hob Key to select hob, adjust power by sliding finger along the slider control bar, or by tapping directly on numbers 1-10. The selected hob starts to heat up.
2. During cooking, if user wishes to set off-timer, tap Timer Key, then tap 1 or 10 on the slider control bar to set the timer (0-180 minutes). After timer is set, LED display blinks for 5 seconds, then timer countdown will start. When countdown hits zero, the corresponding hob will automatically turn off.
3. During cooking, to lock the cooker, tap Child Lock Key; to unlock the cooker, tap and hold Child Lock Key for 3 seconds.
4. When cooking is done, tap On/Off Key to turn off the product. The product will automatically return to locked state.

Note:

(For GIC-PD28CB-S)

- This product has power share function. When only one hob is turned on, the maximum power of that hob can reach 2800W; when both hobs are turned on, the maximum combined power of the two hobs is 2,800W.
- This product does not support turning off only one hob. During cooking, if user tap On/Off Key to turn off the product, both hobs will simultaneously turn off.

Note:

(For GIC-DS28B-S)

During cooking, tap On/Off Key to pause or resume cooking.

WARNING!

- Immediately after turning off the hob, its surface is still hot. DO NOT touch the hob surface until the product has completely cooled off.
- DO NOT leave the product unattended when it is turned on.
- At all times, DO NOT use bare hands to test the hob surface temperature.
- For safety reasons, when product is in use, DO NOT let children near the product!
- DO NOT cook food directly on the hob surface. Appropriate cookware must be used at all times!
- To avoid causing a fire, DO NOT place flammable material near the product or on the hob surface, including paper, cling wrap, plastic, dish cloth, curtains etc

Troubleshooting

If an abnormality occurs, the induction cooker will enter the protective state automatically and display corresponding protective codes:

Error Message	Possible Reason	Solution
E0	No utensil detected on the heating zone, or utensil is inappropriate for this product	Use appropriate utensils
E1	IGBT overheated or heat-sensitive resistor malfunction	Ensure the air inlets/outlets are clear. Let the product cool down for several minutes. If error code persists, contact German Pool Customer Service and Repair Centre
E2	Overheat protection activated or sensor malfunction	Remove cooking utensil, let the product cool down. If error persists, contact German Pool Customer Service & Repair Centre
E3	Over-voltage current protection or under-voltage current protection	Check that the voltage input is correct. If voltage input is correct and error persists, contact German Pool Customer Service & Repair Centre

⚠ WARNING!

The above are the possible reasons and suggested solution of some common failures. Please do not disassemble the unit by yourself to avoid any danger and damage to the induction cooker and please contact German Pool Customer Service & Repair Centre.

Technical Specification

Model No.	GIC-PD28CB-S	GIC-DS28B-S
Voltage/Frequency	220-240 V~ 50 Hz	220-240 V~ 50 Hz
No. of Cookhobs	2	1
Rated Power	2,800 W	2,800 W
Product Dimensions	Including feet (H) 78 (W)292 (D) 515 mm Excluding feet (H) 65 (W)292 (D) 515 mm	
Cutout Dimensions	(H) ≥ 315 mm (W) 266 mm (D) 491mm	

- Specifications are subject to change without prior notice.
- If there is any inconsistency or ambiguity between the English version and the Chinese version, the Chinese version shall prevail.
- Refer to www.germanpool.com for the most up-to-date version of the Operating Instructions.

目錄

警告及注意事項 18

安裝說明 21

產品結構 24

使用說明 25

故障檢修 29

技術規格 30

保用條款 31

警告及注意事項

⚠ 警告！

- 使用本產品前，請仔細閱讀所有說明。
- 本產品只限家居室內日常使用，如產品作任何商業、工業、出租或其他用途，保用證即告失效。
- 請勿讓兒童或身體有殘障、精神不健全及對本產品缺乏經驗或知識的人士單獨使用本產品；如需使用，必須要在負責任的成年人監管下方可使用。
- 應照顧好兒童，確保他們不會玩耍本產品。
- 無成年人監管下，勿讓兒童清潔及維護本產品。
- 使用前，請先檢查所有電壓是否與本產品標籤上的電壓相符。
- 如果電源線損壞，為免發生意外，電源線必須由廠方、廠方指定的維修中心或同等合格的技術人員進行更換。
- 清潔或檢查本產品前，必須先關機及拔掉插頭。
- 請聯繫德國寶授權的技術人員進行維修或保養本產品。

感謝購買德國寶電磁爐產品。為了達到最佳使用效果及保障安全，請您在使用本設備前仔細閱讀本說明書，以便完全理解如何正確使用和操作以及相關安全事項。請保存本說明書以備日後參考。每件產品在出廠前都通過了質檢，請放心使用，相信您在使用過程中會得到滿意的體驗。

⚠ 警告！

- 電磁爐關閉後仍然處於高溫狀態；嚴禁觸碰爐面直至產品完全冷卻。
- 嚴禁在無人看管的情況下使用本產品。
- 任何時候嚴禁用手測試爐面溫度。
- 使用本產品時，嚴禁兒童走近，免生危險！
- 任何情況下嚴禁在爐面直接加熱食物，必須配合鍋具進行烹調！
- 嚴禁在爐面或爐邊四周擺放任何易燃物，如紙張、薄膜、塑膠、洗碗布、窗簾布等，以免發生火災！

安裝

電擊危險

- 在對電磁爐進行任何工作或者進行維修前，必須斷開設備跟任何電源供應的連接。
- 連接到合格的接地系統，是必不可少和強制性的。
- 只有合格的電工才能對布線系統進行修改。
- 如果不遵循這些建議，可能會導致電擊或死亡。

割損傷害

- 注意鋒利的面板邊緣。
- 不遵循警示，可能會導致受傷或割傷。

重要安全說明

- 在安裝或使用本產品前，必須仔細閱讀這些說明。
- 任何時候都嚴禁將易燃材料或產品放置在電磁爐上。
- 為避免危險，必須按照安裝說明安裝本產品。
- 只有具備適當資格的人員才能正確安裝和連接本產品。
- 本產品應連接到一個包含隔離開關的電路上，與電源完全斷開。
- 未能正確安裝及使用本產品可能會導致任何保修或責任索賠失效。

警告及注意事項

操作和維護

電擊危險

- 嚴禁在破損或有裂縫的電磁爐上做飯。如果電磁爐表面出現破損或裂紋，必須立即在主電源（牆壁開關）將其關閉，並與合資格的技術人員聯繫。
- 在清洗或維修前，必須將電磁爐關掉。
- 如果不遵循這建議，可能會導致電擊或死亡。

健康危害

- 本產品符合電磁安全標準。
- 然而，使用心臟起搏器或其他電子植入物（如胰島素泵）的人在使用本產品前必須諮詢醫生或植入物製造商，以確保他們的植入物不會受到電磁場的影響。
- 若不遵守此建議，可能會導致死亡。

電磁爐表面高溫危險

- 在使用過程中，本產品的可接觸部分會變得高溫，可能導致燒傷。
- 在電磁爐晶板表面冷卻前，嚴禁讓您的身體、衣服或任何物品接觸電磁爐表面，除了合適的鍋具。
- 在電磁爐表面開始發熱後，刀、叉、匙、蓋等金屬物品嚴禁放在電磁爐表面。
- 必須讓兒童遠離本產品。
- 鍋柄溫度過高，嚴禁觸摸，檢查鍋柄不要置於其他烹飪區域上方；讓鍋柄遠離兒童們能觸碰的區域。
- 若不遵循此建議，可能會導致燒傷和燙傷。

警告及注意事項

重要的安全使用說明

- 使用時嚴禁讓本產品處於無人看管狀態。沸騰會導致煙霧和油脂溢出，可能會引發火災。
- 永遠不要將本產品用作工作或存放物品的存儲區域。
- 嚴禁將任何物品或器具留在電磁爐上。
- 嚴禁將任何可磁化的物品（如信用卡、存儲卡）或電子設備（如電腦、MP3播放器）放置在本產品上或附近，以免受到其電磁場影響。
- 嚴禁使用電磁爐來加熱房間。
- 使用完畢後，必須按本說明書中的說明（如使用輕觸控制）關閉烹飪區域和電磁爐。當您移開鍋具時，嚴禁依賴鍋具檢測功能來關閉烹飪區域和電磁爐。
- 嚴禁兒童玩耍電磁爐，或坐、站、爬上電磁爐。
- 嚴禁把兒童感興趣的物品放在電磁爐上方的櫃子裡。可能會導致爬上電磁爐的兒童受重傷。
- 在使用電器的區域內，嚴禁讓兒童獨處或無人看管。
- 兒童或殘疾人士有限制性地使用本產品，必須有一名負責任和有能力的人指導他們使用本產品。指導者應確信他們能夠在不危及自身或周圍環境的情況下使用本產品。
- 除非說明書中特別建議，否則嚴禁自行修理或更換本產品的任何部分。所有其他服務必須由合資格的技術人員進行。
- 嚴禁用蒸氣清潔器清潔電磁爐。
- 嚴禁在電磁爐上放置或掉落重物。
- 嚴禁站立於電磁爐上。
- 嚴禁使用邊緣有鋸齒的鍋具，或者將鍋具拖過玻璃表面，否則會刮傷玻璃。
- 嚴禁使用洗碗機、任何其他粗糙的研磨性清潔劑或百潔布來清潔本產品，因為它們會刮傷玻璃。
- 如果電源線損壞，必須由製造商、其服務代理或類似的合資格人員更換，以避免危險。
- 本產品適用於家庭及類似用途，如：商店內的員工廚房區域、辦公室及其他工作環境中的廚房區域；農場的房子；酒店、汽車旅館和其他類型居住環境。

⚠ 警告！

- 在使用過程中，本產品及其可接觸部件會發熱。必須注意避免接觸加熱元件。
- 未滿8歲的兒童，除得到監護外，嚴禁靠近。
- 如在安全的方式得到監督和理解所涉及的危險，或有人指導有關使用本產品的方法，可以讓8歲或以上兒童和殘疾人士，或缺少身體感覺或精神能力，或缺乏經驗和知識的人使用本產品。
- 嚴禁兒童玩耍電磁爐，兒童在沒有監護的情況下，嚴禁進行清潔或維修。
- 在沒有人看管烹煮食物的情況下，會非常危險，可能導致火災。嚴禁用水滅火，必須關掉電器，然後用蓋子或滅火氈蓋住火焰。
- 火災危險！嚴禁在烹飪表面區域存放任何物品。
- 如產品表面有裂紋，必須關閉本產品，避免觸電的可能性。電磁爐表面的微晶玻璃或類似材料是用於保護帶電部件。
- 嚴禁使用蒸氣清潔器清潔本產品。
- 本產品不能通過外部定時器或單獨的遠程控制系統來操作。
- 根據說明書正確安裝後，應確保沒有剩餘的可觸及金屬組件。

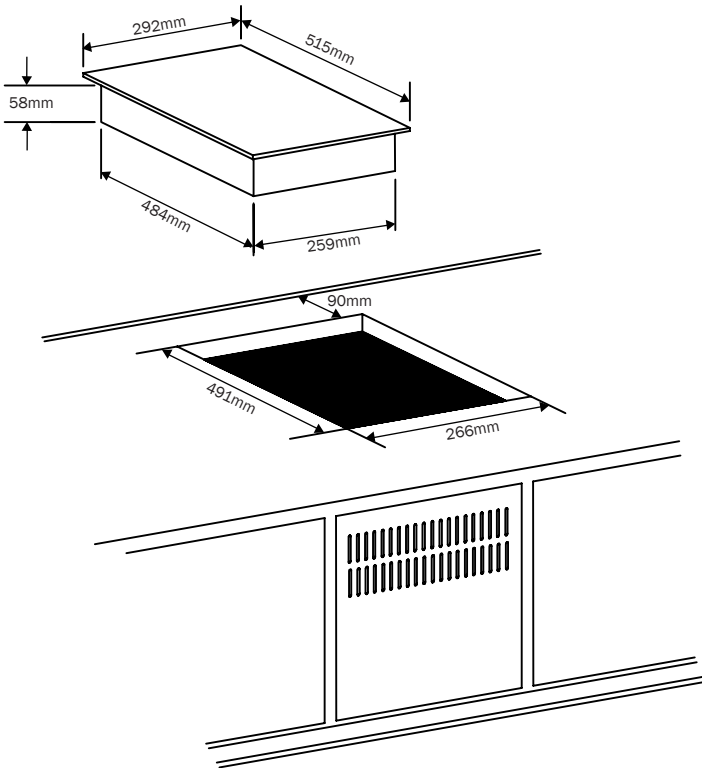
安裝說明

⚠ 警告！

- 電磁爐必須由合格人員或技術人員安裝，嚴禁自行操作。
- 電磁爐嚴禁直接安裝在洗碗機、雪櫃、焗爐、洗衣機或乾衣機上方，因為濕度可能會損壞電磁爐。
- 必須正確安裝電磁爐，以保證更好的熱輻射，提高其可靠性。
- 檯面以上的牆面和電磁加熱區應能承受熱量。

安裝設備選擇

請根據下圖所顯示的尺寸為廚櫃檯面開孔。為方便安裝和使用，開孔周圍應至少預留90毫米空間。請確保廚櫃檯面的厚度至少為30毫米，並選擇耐熱的廚櫃材料，避免電磁爐的熱輻射引起廚櫃顯著的變形。



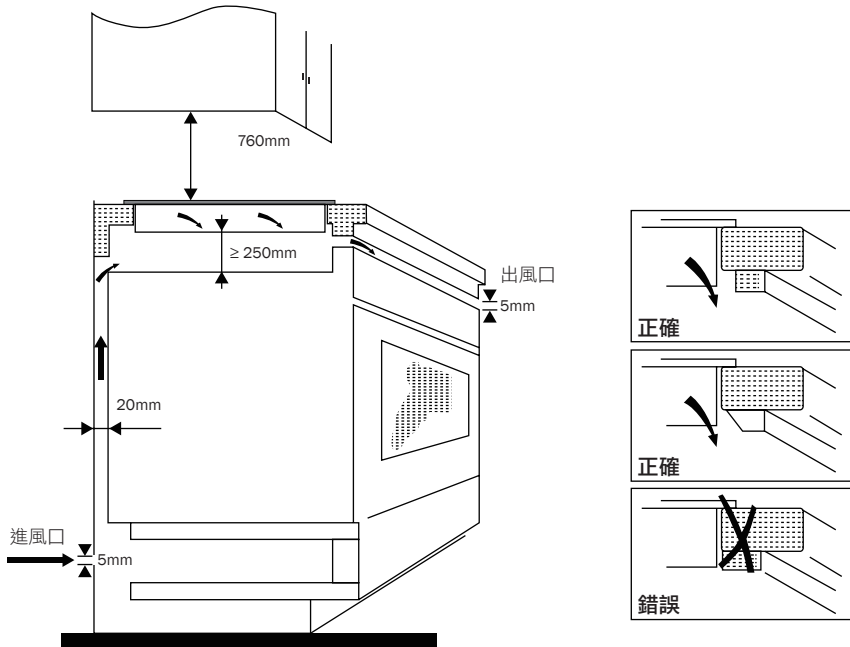
注意：

- 安裝時必須在電磁爐下方預留至少250毫米空間作通風之用。
- 必須確保本產品下方櫃內通風良好，以免熱氣滯留在內部損壞本產品。

⚠ 警告！

在任何情況下，必須確保電磁爐通風良好，進出風口不堵塞，以確保電磁爐處於良好的工作狀態。

安裝說明



安裝前注意事項

- 廚櫃檯面必須為方而平，無結構組件阻礙或干擾安裝電磁爐的空間。
- 廚櫃檯面必須由耐熱材料製成的。
- 如電磁爐安裝在烤爐上方，烤爐必須要有內置的冷卻風扇。
- 安裝必須符合所有清關要求和適用的標準和法規。
- 永久性布線中包含一個適當的隔離開關，該開關提供與主電源完全斷開的連接，其安裝和定位必須符合當地布線規則和規定。
- 隔離開關必須是經批准的類型，並在所有電極（或在所有主動[相]導體中，如當地接線規則允許這種要求變化）提供3毫米的氣隙接觸隔離。
- 安裝電磁爐後，隔離開關可以容易觸及。
- 如對安裝有疑問，請諮詢當地建築局和規章制度。
- 電磁爐周圍的牆壁表面必須使用耐熱和易於清潔的物料，如瓷磚。

安裝說明

安裝時注意事項

- 電源線嚴禁通過櫃門或抽屜進行連接。
- 必須有足夠的新鮮空氣從櫥櫃外部流向電磁爐底部。
- 如電磁爐安裝在抽屜或櫥櫃上方，必須在電磁爐底座下方設置熱防護屏障。
- 安裝隔離開關以使用戶使用。

將電磁爐固定於檯面上

1. 反轉電磁爐，並放置於平整的檯面上。
2. 將密封條沿微晶玻璃邊緣展開，黏貼面朝下，確保整個圓周密封，剪掉多餘的材料。
3. 使用尖刀，修剪電磁爐邊緣多餘的密封條，必須注意避免損壞電磁爐表面。

將電磁爐連接至主電源

電磁爐必須由適當的合資格人員連接到主電源，在將電磁爐連接到主電源前請檢查以下事項：

1. 所在地區的配線系統適用於電磁爐牽引電源。
2. 所在地區的電壓與銘牌上的數值相對應。
3. 電源電纜段能夠承受銘牌上規定的負載。

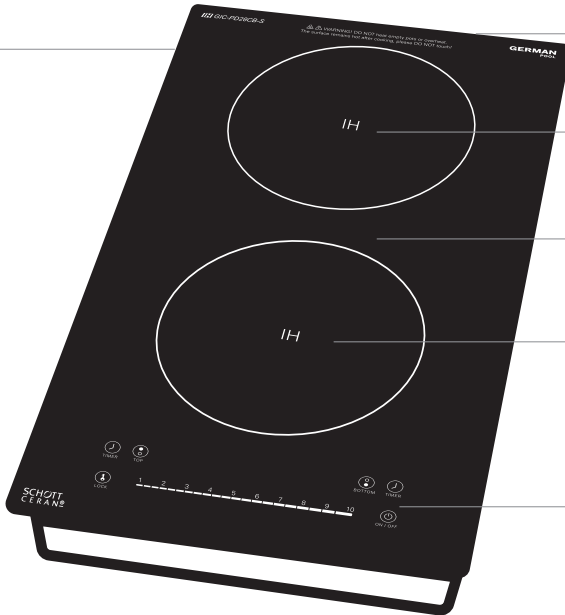
⚠ 警告！

- 要將電磁爐連接到主電源，請勿使用適配器、減速器或分支設備，因為它們會引起過熱和火災。
- 電源線不能接觸任何熱部件，必須定位使其溫度在任何時候都不會超過攝氏75度。
- 請與電工檢查所在地區的布線系統是否適合，而不需要改變，如有改動必須由合格的電工進行。
- 如電源線損壞或需要更換，必須由德國寶客戶服務及維修中心使用專用工具進行維修，以免發生意外。
- 如果電磁爐直接連接到電源，必須安裝全極性斷路器，觸點之間的最小開度為3毫米。
- 安裝人員必須確保正確的電氣連接，並符合安全規定。
- 電源線不得彎曲或壓扁。
- 電源線必須定期檢查，只有授權的技術人員才能更換。

產品結構

GIC-PD28CB-S

排氣口



電源插頭

後加熱區域

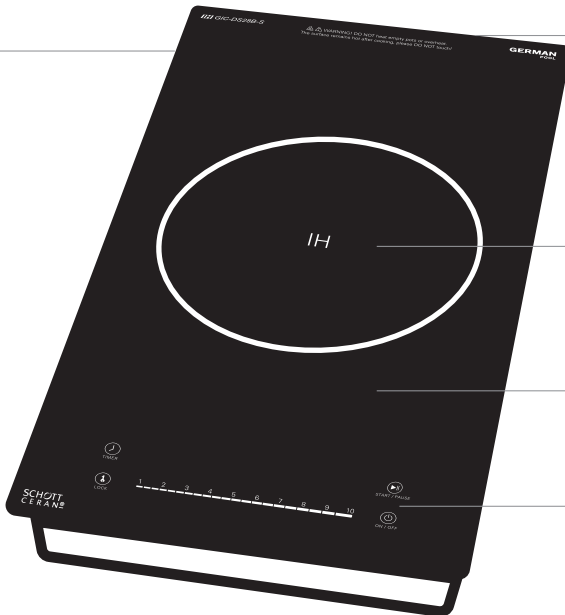
玻璃面板

前加熱區域

控制面板

GIC-DS28B-S

排氣口



電源插頭

加熱區

玻璃面板

控制面板

使用說明

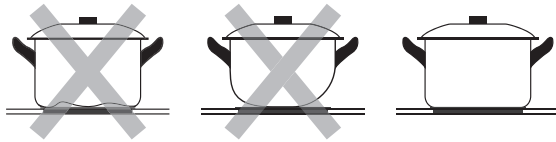
電磁爐烹飪是一種安全、先進、高效、經濟的烹飪技術。它的工作原理是電磁振動直接在鍋內產生熱量，而不是通過加熱玻璃表面間接產生熱量。微晶玻璃變熱只是因為平底鍋的接觸最終使它加熱。

在使用您的新電磁爐前

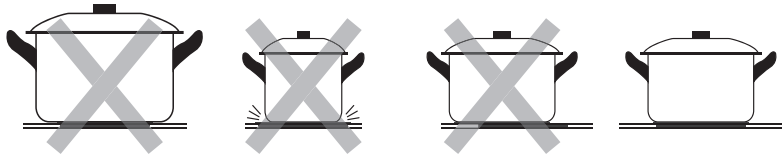
- 閱讀此指引，注意安全警告部分的內容。
- 移除任何殘留在電磁爐上的保護膜。

鍋具選擇

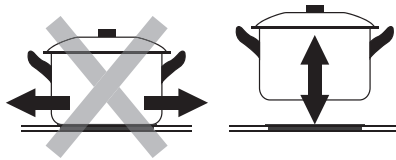
請勿使用邊緣參差不齊或底部彎曲變形的鍋具。



請確保鍋具的底部是光滑的，平放在玻璃上，鍋底大小符合電磁爐烹飪區域面積。請使用直徑符合電磁爐烹飪區域上的標示的鍋具。如使用一個稍微寬一點的鍋具，能源將被最大效率地使用。如果使用較小的鍋，效率可能低於預期，請始終把你的鍋具放在電磁爐烹飪區域中央。



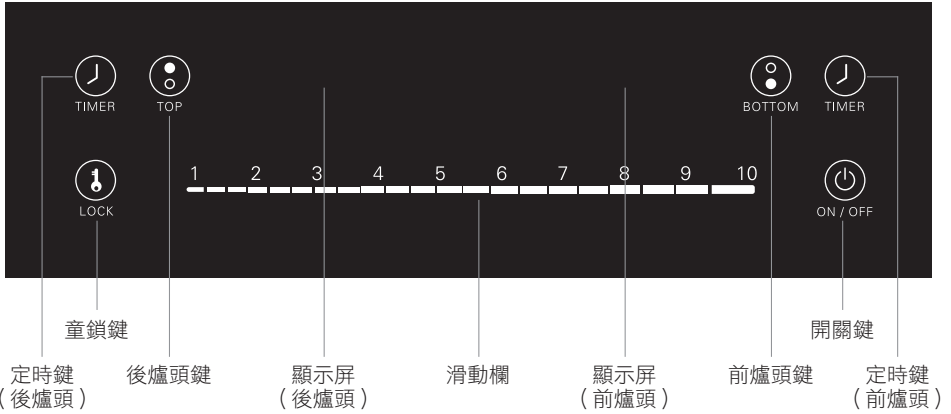
移動鍋具時，請完全提起鍋具離開電磁爐，切勿拖動，否則可能會刮花微晶玻璃。



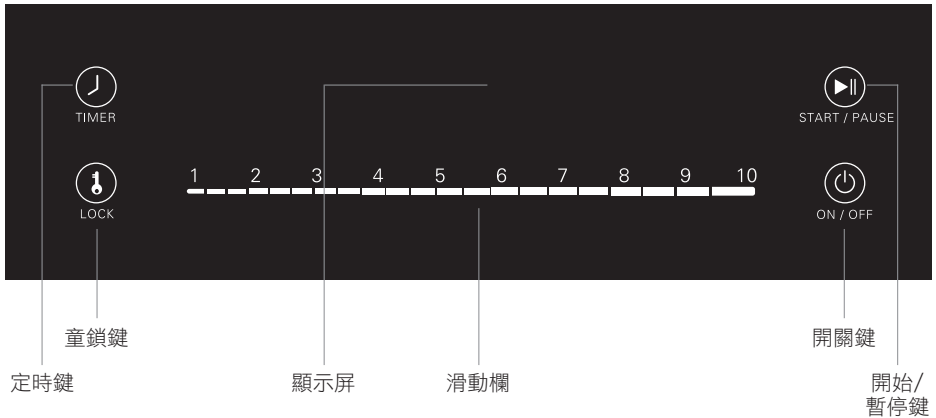
使用說明

控制面板

GIC-PD28CB-S



GIC-DS28B-S



使用說明

按鍵說明

按鍵	說明
 LOCK	童鎖鍵 <ul style="list-style-type: none">按此鍵鎖定電磁爐，所有按鍵均無法操作。長按此鍵3秒解除鎖定。
 ON / OFF	開關鍵 <ul style="list-style-type: none">按此鍵開機（進入待機狀態，顯示屏顯示「----」）。再按一次此鍵關機。
	滑動欄 <ul style="list-style-type: none">烹調期間，滑動或按1-10調校功率。按「1」可快速將功率調校至600W（最小）。按「10」可快速將功率調校至2,800W（最大）。
 BOTTOM	前爐頭鍵（適用於GIC-PD28CB-S） <ul style="list-style-type: none">開機後按此鍵選擇後爐頭，再按滑動欄調整功率。
 TOP	後爐頭鍵（適用於GIC-PD28CB-S） <ul style="list-style-type: none">開機後按此鍵選擇前爐頭，再按滑動欄調整功率。
 TIMER	定時鍵 <ul style="list-style-type: none">按此鍵進入定時關機設置。可設定0-180分鐘定時。按滑動欄上的「1」減少時間，每按1次以1分鐘遞減；按滑動欄上的「10」增加時間，每按1次以5分鐘遞增。
 START / PAUSE	開始/暫停鍵（適用於GIC-DS28B-S） 按此鍵開始或暫停烹調。

使用說明

使用步驟

⚠ 警告！

必須在烹飪區放置合適的鍋具，確保鍋具的底部和烹飪區的表面是乾淨和乾燥的。

1. 插上電源後，電磁爐預設為鎖定狀態，童鎖指示燈常亮，此時所有按鍵均無法操作，包括「開關鍵」。
2. 長按「童鎖鍵」3秒解除鎖定後再按「開關鍵」，電磁爐進入待機狀態，顯示屏顯示「----」。
。如30秒內無任何操作，產品將再次自動鎖定。

開始烹調

1. (適用於GIC-DS28B-S) 在待機狀態下，按滑動欄上的1-10或透過滑動調校功率，然後開始烹調。
(適用於GIC-PD28CB-S) 在待機狀態下，按「前爐頭鍵」或「後爐頭鍵」選擇所需爐頭，按滑動欄上的1-10或透過滑動調校功率，然後開始烹調。
2. 烹調期間，如需設置定時關機功能，按「定時鍵」，然後按滑動欄上的「1」或「10」調校關機時間(0-180分鐘)，設置完成後，顯示屏閃爍5秒，然後開始倒數；當倒數完成後，相應烹飪區域將自動關閉。
3. 烹調期間，如需鎖定電磁爐，可按「童鎖鍵」；如需解鎖，長按「童鎖鍵」3秒。
4. 完成烹調後，按「開關鍵」關機，電磁爐自動進入鎖定狀態。

注意：

(適用於GIC-PD28CB-S)

- 每個爐頭單獨使用時均可達到2,800W；兩個爐頭同時使用時，兩個爐頭將分享2,800W功率，即兩個爐頭的功率相加不超過2,800W。
- 本產品不支援單獨關閉任一爐頭，如烹調期間按「開關鍵」關機，兩個爐頭將同步關閉。

注意：

(適用於GIC-DS28B-S)

烹調期間可按「開始/暫停鍵」暫停或開始烹調。

⚠ 警告！

- 電磁爐關閉後，仍然處於高溫狀態；嚴禁觸碰爐面直至產品完全冷卻。
- 嚴禁在無人看管情況下使用本產品。
- 任何時候嚴禁用手測試爐面溫度。
- 使用本產品時，嚴禁小孩走近，免生危險！
- 任何情況下嚴禁在爐面直接加熱食物，必須配合鍋具進行烹調！
- 嚴禁在爐面或爐邊四周擺放任何易燃物，如紙張、薄膜、塑膠、洗碗布、窗簾布等，以免發生火災！

故障檢修

當出現故障或異常時，電磁爐會自動進入保護狀態，並顯示相應的保護碼：

現象	檢查要點	處理方法
顯示錯誤代碼E0	加熱區沒有鍋具或鍋具不適合電磁爐加熱	選用適合的鍋具
顯示錯誤代碼E1	產品過熱或熱敏器損壞	確認進風口和排氣口暢通，關機並讓電磁爐冷卻幾分鐘，如果仍然顯示錯誤代碼，請聯繫德國寶客戶服務及維修中心
顯示錯誤代碼E2	乾燒保護或傳感器損壞	移開鍋具，待電磁爐冷卻，如果仍然顯示錯誤代碼，請聯繫德國寶客戶服務及維修中心
顯示錯誤代碼E3	電壓保護	檢查輸入電壓是否正常，如果正常情況下仍然顯示錯誤代碼，請聯繫德國寶客戶服務及維修中心

⚠ 警告！

以上是對常見故障的判斷和檢查。請勿自行拆卸本機，以免對電磁爐造成任何危險和損壞。如遇故障請與德國寶客戶服務及維修中心聯繫。

技術規格

型號	GIC-PD28CB-S	GIC-DS28B-S
電壓/頻率	220-240 V~ 50 Hz	220-240 V~ 50 Hz
爐頭數量	2	1
額定功率	2,800 W	2,800 W
產品尺寸	連爐腳 (H) 78 (W)292 (D) 515 mm 不連爐腳 (H) 65 (W)292 (D) 515 mm	
開孔尺寸	(H) ≥ 315mm (W) 266 mm (D) 491mm	

- 產品規格及設計如有變更，恕不另行通知。
- 中英文版本如有出入，一概以中文版為準。
- 本產品使用說明書以www.germanpool.com網上版為最新版本。

保用條款

此保用提供德國寶產品之機件在正常使用下壹年保用 (自購買日起計算)。

Warranty Terms & Conditions

Under normal operations, the product will guarantee a 1-year full warranty provided by German Pool (effective from the date of purchase).

* 貴戶須在購機十天內，以下列其中一種方式向本公司登記資料，保用手續方正式生效：

- 1) 填妥德國寶VIP手機應用程式保用登記表 (掃描右方二維碼)
- 2) 填妥本公司網頁保用登記表
www.germanpool.com/warranty
- 3) 填妥保用卡郵寄至本公司。



* This warranty is not valid until customer registration information is received by our Service Centre within 10 days of purchase via one of the following means:

- 1) Visit our VIP App and register online:
(Scan the QR Code on the right)
- 2) Visit our website and register online:
www.germanpool.com/warranty
- 3) Complete the attached Warranty Card and mail it back to our Customer Service Centre.



另請填妥以下表格並與正本發票一併保存，以便維修時核對資料。用戶提供之所有資料必須正確無誤，否則免費保用將會無效。 Please fill out the form below. This information and the original purchase invoice will be required for any repairs. Warranty will be invalidated if information provided is found to be inaccurate.

型號 Model No. : GIC-DS28B-S GIC-PD28CB-S

機身號碼 Serial No. : _____ 發票號碼 Invoice No. : _____

購買商號 Purchased From : _____ 購買日期 Purchase Date : _____

1. 未能出示購買發票正本者，將不獲免費維修服務。
2. 用戶應依照說明書的指示操作。本保用並不包括：
 - 上門安裝、檢驗、維修或更換零件之人工以及一切運輸費用；
 - 因天然與人為意外造成的損壞 (包括運輸及其他)；
 - 電源接合不當、不依說明書而錯誤或疏忽使用本機所引致之損壞。
3. 於下列情況下，用戶之保用資格將被取消：
 - 購買發票有任何非認可之刪改；
 - 產品被用作商業或工業用途；
 - 產品經非認可之技術人員改裝或加裝任何配件；
 - 機身編號被擅自塗改、破壞或刪除。
4. 總代理有權選擇維修或更換配件或其損壞部份。
5. 產品一經被轉讓，其保用即被視作無效。

1. Customer who fails to present original purchase invoice will not be eligible for free warranty service.
2. Customer should always follow the operating instructions. This warranty does not apply to:
 - labour costs for on-site installation, check-up, repair, replacement of parts and other transportation costs;
 - damages caused by accidents of any kind (including material transfer and others);
 - operating failures resulting from applying incorrect voltage, improper usage, and unauthorized installations or repairs.
3. This warranty is invalid if:
 - the purchase invoice is modified by an unauthorized party;
 - the product is used for any commercial or industrial purposes;
 - the product is repaired or modified by unauthorized personnel, or unauthorized parts are installed;
 - the serial number is modified, damaged or removed from the product.
4. German Pool will, at its discretion, repair or replace any defective part.
5. This warranty will be void if there is any transfer of ownership from the original purchaser.

客戶服務及維修中心

中國香港

九龍大業街59號

三湘九龍灣貨運中心地下B室

電話：+852 2773 2888

傳真：+852 2356 9798

電郵：repairs@germanpool.com

中國澳門

澳門青洲大馬路(青洲新路)

515號美居廣場第二期1樓A座

電話：+853 2875 2699

傳真：+853 2875 2661

Customer Service & Repair Centre

Hong Kong, China

Unit B, G/F, Sunshine Kowloon Bay

Cargo Centre, 59 Tai Yip Street,

Kowloon, Hong Kong

Tel : +852 2773 2888

Fax : +852 2356 9798

Email : repairs@germanpool.com

Macau, China

A, 1 Andar, Mei Kui Kuong Cheong Fase 2,

No.515 Avenida Do Conselheiro Borja

Macau

Tel : +853 2875 2699

Fax : +853 2875 2661

此保用只適用於香港及澳門

This warranty is valid only in Hong Kong and Macau

German Pool (Hong Kong) Limited

Hong Kong, China

Room 113, Newport Centre Phase II, 116 Ma Tau
Kok Road, Tokwanan, Kowloon, Hong Kong.
Tel: +852 2773 2888
Fax: +852 2765 8215

Mainland China

8th, Xinxiang Road, Wusha Industrial Park,
Daliang, Shunde, Foshan, Guangdong
Tel: +86 757 2219 6888
Fax: +86 757 2219 6809

Macau, China

A, 1 Andar, Mei Kui Kuong Cheong Fase 2,
No.515 Avenida Do Conselheiro Borja, Macau
Tel: +853 2875 2699
Fax: +853 2875 2661



香港《S MARK》
安全認證



中國櫥櫃/家電行業
十大影響力品牌



CEO非凡品牌大賞



香港優質商標



香港工商業獎



2007
最具潛質
創星品牌企業獎



香港中小企業
最佳成績大獎



香港消費者推祟品牌



香港《Q標》
優質服務證書



香港名牌十年成就獎
HONG KONG TOP BRAND TEN YEAR
ACHIEVEMENT AWARD

© All rights reserved. Copying, reproducing or using the contents of this manual is not allowed without prior authorization from German Pool, violators will be prosecuted.