

Mini Ceramic Fan Heater | HTM-660



Online Warranty Registration



Please read these instructions and warranty information carefully before use and keep them handy for future reference.

Content

Warnings & Safety Precautions	03
Product Structure	06
Operating Instructions	07
Cleaning and Maintenance	08
Technical Specification	08
Warranty Terms & Conditions	15

Warnings & Safety Precautions

WARNING!


Read all instructions carefully before using this product.

- This product is for domestic indoor use only. If this product is used for any commercial, industrial, rental or other purposes, product warranty will be VOIDED.
- This product is not intended for use by children or persons with reduced physical, sensory or mental capabilities, or lack of experience and knowledge, unless they have been given supervision or instruction concerning use of this product by an adult responsible for their safety.
- Mind your children and DO NOT let children play with this product.
- Cleaning and user maintenance shall not be made by children without supervision.
- Check the voltage indicated on the rating label before using this product.
- If the supply cord is damaged, it must be replaced by the manufacturer, its service agent or similarly qualified persons in order to avoid hazards.
- Unplug this product from the power source before cleaning and maintenance.
- Contact German Pool authorized service technician for repair or maintenance of this product.

When using electrical appliances, basic precautions should always be followed to reduce the risk of fire, electric shock, and injury to persons, including the following:

1. Read all instructions before using this heater.
2. This heater is hot when in use. To avoid burns, do not let bare skin touch hot surfaces. If provided, use handles when moving this heater. Keep combustible materials, such as furniture, pillows, bedding, papers, clothes, and curtains at least 3 feet (0.9m) from the front of the heater and keep them away from the sides and rear.
3. Extreme caution is necessary when any heater is used by or near children or invalids and whenever the heater is left operating and unattended.
4. Do not operate any heater with a damaged cord or plug or after the heater malfunctions, has been dropped or damaged in any manner. Return heater to authorized service facility for examination, electrical or mechanical adjustment, or repair.
5. Do not use outdoors.
6. This heater is not intended for use in bathrooms, laundry areas and similar indoor locations. Never locate heater where it may fall into a bathtub or other water container.
7. Do not run cord under carpeting. Do not cover cord with throw rugs, runners, or similar coverings. Do not route cord under furniture or appliances. Arrange cord away from traffic area and where it will not be tripped over.

Warnings & Safety Precautions

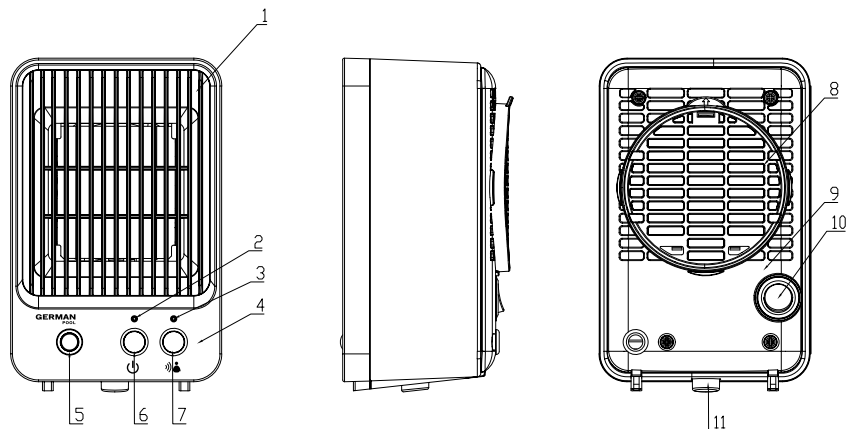
8. This appliance can be used by children aged from 8 years and above and persons with reduced physical, sensory or mental capabilities or lack of experience and knowledge if they have been given supervision or instruction concerning use of the appliance in a safe way and understand the hazards involved. Children shall not play with the appliance. Cleaning and user maintenance shall not be made by children without supervision.
9. Children less than 3 years of age should be kept away unless continuously supervised.
10. Children aged from 3 to 8 years shall only switch on/off the appliance provided that it has been placed or installed in its intended normal operating position and they have been given supervision or instruction concerning use of the appliance in a safe way and understand the hazards involved. Children aged from 3 to 8 years shall not plug in, regulate, and clean the appliance or perform user maintenance.
11. CAUTION – some parts of this product can become very hot and cause burns. Particular attention has to be given where children and vulnerable people are present.
12. Disconnect from main power source when not in use or cleaning.
13. If the supply cord is damaged, it must be replaced by the manufacturer, its service agent, or similarly qualified persons in order to avoid a hazard.
14. The voltage and frequency of the power supply must comply with the technical specification of the heater. 220-240V~/50Hz
15.  Warning: in order to avoid overheating, do not cover the heater.
16. Do not twist the device, to avoid damage on the device.
17. Do not beat or shake the device when the device is turned on.
18. When the device is working, do not touch the wind outlet, to avoid scalding skin.
19. Be sure the wind inlet & outlet are unblocked to avoid any malfunction appearance; such as distortion, changing color, etc.
20. Put the power cord in the right way to avoid stumbling over the power cord.
21. Do not allow the power cord to touch the front net cover to avoid the high temperature from damaging the power cord.
22. Put the device on a flat surface when using. It is strictly prohibited to use the device near or in bathroom, shower or a swimming pool.
23. The device is hot when in operation, Avoid flammable, explosive articles, as well as environments full of inflammable air or dust.
24. A fire may occur if the heater is covered with or touches flammable material, including curtains, drapes, bedding etc. when in operation. **KEEP THE HEATER AWAY FROM SUCH MATERIALS.**

Warnings & Safety Precautions

25. Do not let the power cord hang over the edge of the table or work surface or touch hot surfaces.
26. Do not hang a wet cloth or anything wet above the device, to avoid leakage of electricity.
27. Do not put flammable or cloth on the device, to avoid fire or electric shock.
28. When the device is in operation, please do not place the air outlet and inlet next to the wall or curtain to avoid obstructing the air and influence the heater effect.
29. Do not place the power cord at the wind outlet, it will damage the insulation layer of wires
30. Do not insert conductive objects into air inlet or outlet, to avoid electric shock.
31. Considering the security, when no one is around, turn off the device, to avoid unpredictable accidents.
32. The device is not intended to use by persons (including children) with reduced physical, sensory or mental capabilities, or lack of experience and knowledge, unless they have been given supervision or instruction.
33. Make sure power is off and the plug is disconnected when cleaning or repairing.
34. If not using the device for a long period, please disconnect the plug, put the device into the box and store the device in a dry and ventilated place.
35. Do not attempt to repair, disassemble or modify the device privately when there is some damage on the power cord or something is wrong with the device.
36. Warning: the heater cannot be directly located under the socket.

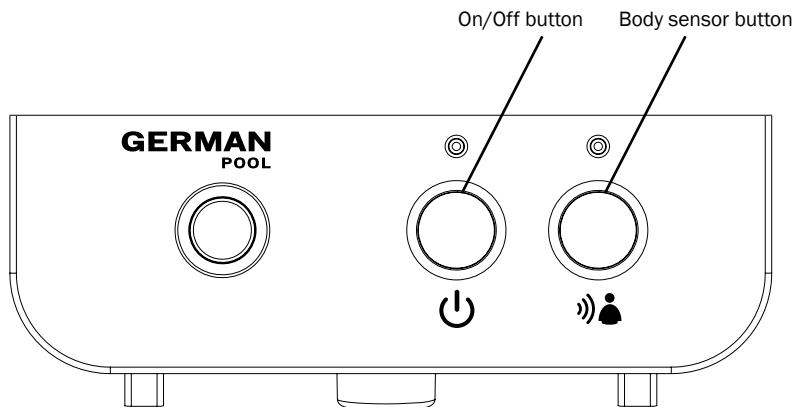
Product Structure

Main Body



- | | |
|--------------------------|-----------------------|
| 1. Front cover | 7. Body sensor button |
| 2. Power indicator | 8. Dust-proof filter |
| 3. Body sensor indicator | 9. Back cover |
| 4. Control panel | 10. Power switch |
| 5. Body sensor detector | 11. Tip-over switch |
| 6. On/Off button | |

Control Panel



Operating Instructions

Installation

- Take the product out of the packaging box.
- Place the heater on a flat surface as shown in picture 1.

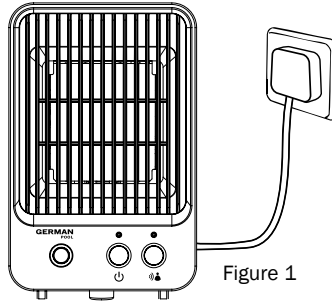
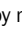


Figure 1


Function Button Instructions

1. On/Off Button


1.1 Connect and turn on electricity, the heater enters standby mode. All indicator lights are off.

1.2 Under standby mode, press the  button once to turn on the device. The default setting after the heater is turned on:

- a) Body sensor mode indicator light is off, heater enters continuous mode.
- b) PTC heating element starts working.
- c) DC Fan turns on.

During operation, press  button once to turn off the heater (all indicator lights are off, PTC heating element stops working immediately, DC fan stops working after 10 seconds).

2. Body Sensor Button

2.1 When the device is on, press  button to turn on/off body sensor mode.

2.2 Continuous mode: when turns off body sensor mode, the heater enters continuous mode. The heater continuously works; PTC heating element and DC fan also work simultaneously.

2.3 Body sensor mode: When this mode is on, body sensor mode operates.

- Upon switching to the body sensor mode, the PTC heating element keeps operating for the first 2 minutes and the system will continuously detect the presence of human body; if human body is detected within 2 minutes, it keeps functioning while resetting the timer for another 2-minute interval. If human body is not detected, the PTC heating element will stop working after 2 minutes. 10 seconds later the motor will be switched off and stop generating warm air.
- Body sensor mode indicator: the sensor will be on as long as the PTC heating element and fan are working. When human body is absent, they will be switched off and the indicator will keep flashing at 1 Hz.

Note:

The machine has no memory function. Every time the heater reboots, by default the PTC heating element is on and the body sensor function is off.

Operating Instructions

Body Sensor Mode Instructions:

When the temperature is between 20°C and 25°C, this mode is effective when a body is detected within a distance of around 1.8 meters. The sensor is affected by the temperature of the environment. The lower the temperature the more sensitive the sensor is and vice versa. The effective angles are between 60 degrees vertically and 90 degrees horizontally.

Cleaning and Maintenance

1. Before cleaning or maintenance, please unplug the heater and wait for the heater to cool.
2. When cleaning the surface of the heater, do it with a wet cloth. Do not use petrol, thinner, diluents or other similar chemical substances. Do not spray at the heater.
3. If there is dirt blocking the back cover, the heater performance may be affected. Clean the back cover at least every other month. A wet cloth may be used to wipe the back cover.
4. If the heater will not be used for a long period of time, pack the heater properly and store it in a dry and ventilated place.

Technical Specification

Model	HTM-660
Voltage	220-240 V~
Frequency	50 Hz
Power	600 W
Sound Level	≤50 dB
Dimensions	(H)185mm (W)118mm (D)98.8mm
Net Weight	0.71 kg

Specifications are subject to change without prior notice.

If there is any inconsistency or ambiguity between the English version and the Chinese version, the Chinese version shall prevail.

Refer to www.germanpool.com for the most up-to-date version of the Operating Instructions.

目錄

警告及注意事項 10

產品結構 12

操作說明 13

清潔與保養 14

技術規格 14

保用條款 15

警告及注意事項

⚠ 警告！

使用本產品前，請仔細閱讀所有說明。

- 本產品只限家居室內日常使用，如產品作任何商業、工業、出租或其他用途，保用證即告失效。
- 請勿讓兒童或身體有殘障、精神不健全及對本產品缺乏經驗或知識的人士單獨使用本產品；如需使用，必須要在負責任的成年人監管下方可使用。
- 應照顧好兒童，確保他們不會玩耍本產品。
- 無成年人監管下，勿讓兒童清潔及維護本產品。
- 使用前，請先檢查所有電壓是否與本產品標籤上的電壓相符。
- 如果電源線損壞，為免發生意外，電源線必須由廠方、廠方指定的維修中心或同等合格的技術人員進行更換。
- 清潔或檢查本產品前，必須先關機及拔掉插頭。
- 請聯繫德國寶授權的技術人員進行維修或保養本產品。

使用本產品時，必須採取一切基本預防措施以降低火警、觸電或受傷的機會。基本預防措施包括以下：

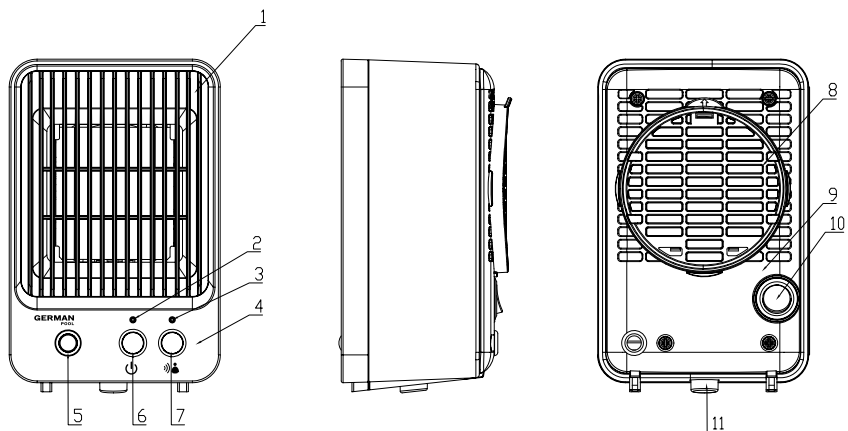
1. 使用本產品前，先閱讀所有說明。
2. 本機使用時會變熱。避免燙傷，請勿讓皮膚直接接觸產品表面。易燃物料（如家具、枕頭、床上用品、紙張、衣服和窗簾）與本機正面需至少保持3英尺（0.9米）的距離，並遠離機體側面和後部。
3. 當兒童或殘疾人接近或使用暖器時，以及暖風機運行而無成人看管時，必須格外小心。
4. 當本產品的電源線或插頭損壞、發生故障、跌落或有任何損毀時，請勿操作本產品。如電源線損壞或發生其他故障，必須由本公司或合資格的專業技術人員更換和維修。
5. 請勿在戶外使用本產品。
6. 本機不適用於浴室，洗衣區和類似的室內場所。切勿將暖風機放在可能落入浴缸或其他水容器的地方。
7. 不要將電線置於地毯下。不要用地毯或其他類似的物件覆蓋電線。不要將電線放在家具或電器下面。將電線遠離多雜物或容易被絆倒的地方。
8. 8歲或以上的兒童，以及身體、感官或精神能力下降或缺乏經驗和知識的人員，只可在得到監督、指導並清楚了解觸電危機的情況下使用本機。未經監督的兒童不得進行清潔或保養。
9. 除非有持續不斷的監督，否則3歲以下兒童應遠離本產品。
10. 3至8歲兒童只可在得到監管並清楚了解觸電危險的情況下開啟或關閉本機，切勿進行接插電源、調控、清潔或保養等工作。
11. 注意 -本產品於使用時或使用後機體不同部分將變熱，有燙傷危險。請特別注意保護兒童及其他弱勢人群。

警告及注意事項

12. 不使用本機或清潔本機時，先中斷主電源。
13. 如果電源線損壞，必須由製造商，其服務代理商或認可的合資格人員更換，以避免危險。
14. 電源的電壓和頻率必須符合本機的技術規範 - 220-240V~/ 50Hz
15.  警告：為避免過熱，請勿蓋住加熱器。
16. 請勿扭歪本機，以免損壞設備。
17. 本機開啟時，請勿拍打或搖晃設備。
18. 本機運作時，請勿觸摸風口，以免燙傷皮膚。
19. 確保風入口和出口暢通無阻，以避免出現任何故障；如變形，變色等。
20. 請以正確的方式放置電源線，以免絆倒電源線。
21. 請勿讓電源線接觸前網罩，以免高溫損壞電源線。
22. 使用時將本機放在平坦的表面上。嚴禁在浴室，淋浴間或游泳池附近使用。
23. 本機在運行時很熱，避免在擺放了易燃易爆物品，或充滿易燃空氣或灰塵的環境使用。
24. 如果暖風機在運行時被覆蓋或接觸易燃材料（包括窗簾和床上用品等），可能會發生火災。確保暖風機遠離這些物料。
25. 請勿讓電源線懸掛在工作檯邊緣或工作檯面上或接觸灼熱表面。
26. 請勿將濕布或任何濕物懸掛在暖風機上方，以免漏電。
27. 請勿在暖風機上放置易燃物或布料，以免引起火災或觸電。
28. 設備運行時，請勿將空氣出口和入口放在牆壁或窗簾旁邊，以免堵塞空氣並影響暖風機效果。
29. 請勿將電源線放在風口處，否則會損壞電源線的絕緣層。
30. 請勿將導電物體插入空氣入口或出口，以免觸電。
31. 確保安全，當周圍沒有人時，請關閉設備，以避免事故。
32. 除非已經給予監督及指導，否則本機不適合身體，感官或精神能力受損，缺乏經驗和知識的人（包括兒童）使用。
33. 清潔或維修時，確保電源已關閉且插頭已拔除。
34. 如果長時間不使用本機，請拔除插頭，將暖風機放入包裝箱中，然後存放在乾燥通風的地方。
35. 當電源線有任何損壞或設備故障時，請勿嘗試私自修理，拆卸或改裝設備。
36. 警告：加熱器不能直接位於插座下面使用。

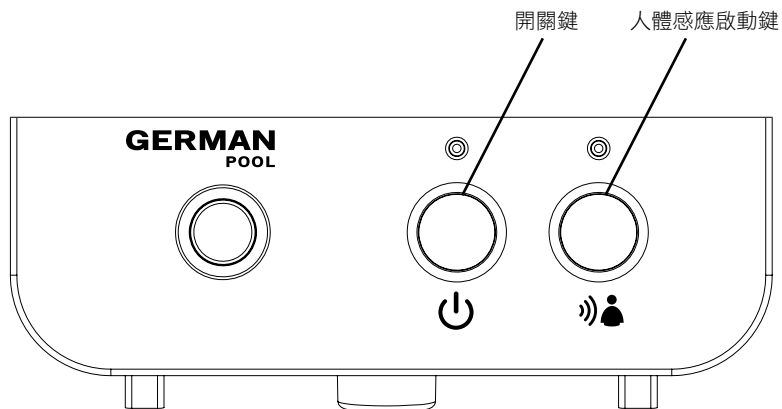
產品結構

主機



- | | |
|------------|------------|
| 1. 前殼 | 7. 人體感應啟動鍵 |
| 2. 開關指示燈 | 8. 防塵網 |
| 3. 人體感應指示燈 | 9. 後殼 |
| 4. 控制面板 | 10. 電源開關 |
| 5. 人體感應探測器 | 11. 防傾倒開關 |
| 6. 開關鍵 | |

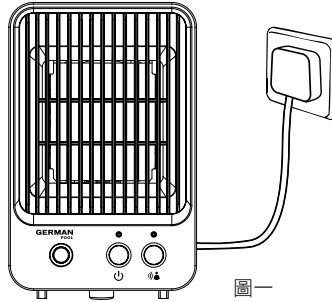
控制面板



操作說明

安裝方法

- 將產品從包裝中取出。
- 將暖風機豎直擺放，放在平穩的檯面或地面上，如圖一。



各功能按鍵的使用方法

1. 開關鍵

1.1 插上並開啟電源後進入待機狀態，所有功能指示燈均關閉。

1.2 待機狀態下，按 鍵一次為開機，開機默認狀態為：

- 人體感應燈為關，進入連續工作模式；
- PTC發熱體開始工作；
- 直流風扇開始工作。

開機運行中再按 鍵一次直接關機；（所有指示燈關閉，PTC發熱體立即停止工作，直流風扇10秒後停止工作）。

2. 人體感應啟動鍵

2.1 開機狀態下，按 鍵開啟或關閉人體感應模式。關閉人體感應模式即為連續工作模式。

2.2 連續工作模式：關閉人感時即進入連續工作模式，暖風機持續工作，PTC發熱體與風扇同時工作。

2.3 人體感應模式：此模式開啟時，人體感應工作；

- 人體感應功能開啟後，PTC發熱體先工作2分鐘，系統會一直自動檢測是否有人在；若2分鐘內又再次感應到有人在時，又重新計時2分鐘，若一直感應到有人在，則PTC發熱體與風扇一直工作。當感應不到人存在時，2分鐘後關閉PTC發熱體，10秒後關閉直流風扇，停止送風；
- 指示燈狀態說明：人體感應指示燈隨著PTC發熱體及風扇的工作長亮，而當人離開後PTC發熱體和風扇關閉，人體感應指示燈以1HZ頻率閃爍。

注意：

本機無記憶功能，每次重新開機，都默認PTC發熱體開啟，人體感應功能關閉。

操作說明

人體感應功能說明

當環境溫度在攝氏20至25度時，人在暖風機附近活動時距離約1.8米內有效；人感傳感器會受環境溫度影響；環境溫度越低，靈敏度越高，距離越遠則越低；人感的角度，上下約60度內有效，左右夾角約90度內有效。

清潔與保養

1. 清潔、維修和保養前，請先將電源線插頭拔下，並且在暖風機冷卻後才可以進行。
2. 清潔機體表面，應用濕布（可加上適量洗潔精）抹擦。不要用汽油、天那水、稀釋劑有腐蝕性的洗滌劑或溶劑之類的化學物品，亦嚴禁用水直接沖洗。
3. 若後網附著異物，將影響出風效果，因此至少每隔一個月清洗一次。清洗後網時可用濕的軟布擦拭。
4. 長期不使用暖風機，請將暖風機包裝好，然後存放於乾燥通風處。

技術規格

型號	HTM-660
電壓	220-240 V~
頻率	50 Hz
功率	600 W
噪音	≤50 dB
外型尺寸	(H)185mm (W)118mm (D)98.8mm
淨重	0.71 kg

保用條款

Warranty Terms & Conditions

此保用提供德國寶產品之機件在正常使用下壹年保用(自購買日起計算)。

Under normal operations, the product will guarantee a 1-year full warranty provided by German Pool (effective from the date of purchase).

*貴戶須在購機十天內，以下列其中一種方式向本公司登記資料，保用手續方正式生效：

1) 填妥德國寶VIP手機應用程式保用登記表(掃描右方二維碼)

2) 填妥本公司網頁保用登記表
www.germanpool.com/warranty

3) 填妥保用手郵寄至本公司



* This warranty is not valid until customer registration information is received by our Service Centre within 10 days of purchase via one of the following means:

1) Visit our VIP App and register online:
(Scan the QR Code on the right)

2) Visit our website and register online:
www.germanpool.com/warranty

3) Complete the attached Warranty Card and mail it back to our Customer Service Centre.



另請填妥以下表格並與正本發票一併保存，以便維修時核對資料。用戶提供之所有資料必須正確無誤，否則免費保用將會無效。Please fill out the form below. This information and the original purchase invoice will be required for any repairs. Warranty will be invalidated if information provided is found to be inaccurate.

型號 Model No. : HTM-660

機身號碼 Serial No. : _____

購買商號 Purchased From : _____

發票號碼 Invoice No. : _____

購買日期 Purchase Date : _____

1. 未能出示購買發票正本者，將不獲免費維修服務。
2. 用戶應依照說明書的指示操作。本保用並不包括：
 - 上門安裝、檢驗、維修或更換零件之人工以及一切運輸費用；
 - 因天然與人為意外造成的損壞(包括運輸及其他)；
 - 電源接合不當、不依說明書而錯誤或疏忽使用本機所引致之損壞。
3. 於下列情況下，用戶之保用資格將被取消：
 - 購買發票有任何非認可之刪改；
 - 產品被用作商業或工業用途；
 - 產品經非認可之技術人員改裝或加裝任何配件；
 - 機身編號被擅自塗改、破壞或刪除。
4. 總代理有權選擇維修或更換配件或其損壞部份。
5. 產品一經被轉讓，其保用即被視作無效。

1. Customer who fails to present original purchase invoice will not be eligible for free warranty service.
2. Customer should always follow the operating instructions. This warranty does not apply to:
 - labour costs for on-site installation, check-up, repair, replacement of parts and other transportation costs;
 - damages caused by accidents of any kind (including material transfer and others);
 - operating failures resulting from applying incorrect voltage, improper usage, and unauthorized installations or repairs.
3. This warranty is invalid if:
 - the purchase invoice is modified by an unauthorized party;
 - the product is used for any commercial or industrial purposes;
 - the product is repaired or modified by unauthorized personnel, or unauthorized parts are installed;
 - the serial number is modified, damaged or removed from the product.
4. German Pool will, at its discretion, repair or replace any defective part.
5. This warranty will be void if there is any transfer of ownership from the original purchaser.

客戶服務及維修中心

中國香港

九龍大業街59號

三湘九龍灣貨運中心地下B室

電話：+852 2773 2888

傳真：+852 2356 9798

電郵：repairs@germanpool.com

中國澳門

澳門青洲大馬路(青洲新路)

515號美居廣場第二期1樓A座

電話：+853 2875 2699

傳真：+853 2875 2661

Customer Service & Repair Centre

Hong Kong, China

Unit B, G/F, Sunshine Kowloon Bay

Cargo Centre, 59 Tai Yip Street,

Kowloon, Hong Kong

Tel : +852 2773 2888

Fax : +852 2356 9798

Email : repairs@germanpool.com

Macau, China

A, 1 Andar, Mei Kui Kuong

Cheong Fase 2, No.515 Avenida

Do Conselheiro Borja Macau

Tel : +853 2875 2699

Fax : +853 2875 2661

此保用只適用於香港及澳門

This warranty is valid only in Hong Kong and Macau

German Pool (Hong Kong) Limited

Hong Kong, China

Room 113, Newport Centre Phase II, 116 Ma Tau
Kok Road, Tokwawan, Kowloon, Hong Kong.
Tel: +852 2773 2888
Fax: +852 2765 8215

Mainland China

8th, Xinxiang Road, Wusha Industrial Park,
Daliang, Shunde, Foshan, Guangdong
Tel: +86 757 2219 6888
Fax: +86 757 2219 6809

Macau, China

A, 1 Andar, Mei Kui Kuong Cheong Fase 2,
No.515 Avenida Do Conselheiro Borja, Macau
Tel: +853 2875 2699
Fax: +853 2875 2661



香港 (S MARK)
安全認證



中國總經銷電器業
十大影響力品牌

CEO

CEO非凡品牌大賞



香港優質商號



香港工商業獎



最具影響力
創建品牌企業獎



香港中小企業
最佳拍檔大獎



香港消費者推銷品牌



香港 (O 導)
優質服務證書



香港名牌十年成就獎
HONG KONG TOP BRAND TEN YEAR
ACHIEVEMENT AWARD

© All rights reserved. Copying, reproducing or using the contents of this manual is not allowed without prior authorization from German Pool, violators will be prosecuted.