

Foldable Travel Kettle | KTT-109



Online Warranty Registration



Please read these instructions and warranty information carefully before use and keep them handy for future reference.

USER MANUAL

Content

Safety Notes	03
Product Structure	05
Control Panel	06
Operating Instructions	06
Care & Maintenance	09
Troubleshooting	10
Specifications	10
Warranty	19

Safety Notes

Warning

1. Please read the instructions carefully before use and keep them for future reference.
2. This product is not intended for use by children under eight years of age, physical, sensory or intellectual disabilities or those who lack experience and knowledge, unless they are supervised or directed by the person responsible for their safety.
3. Under no circumstances should children under the age of 8 be exposed to, use or play with this product. Children should not clean or repair the product, and should not touch the power cord and all accessories.
4. Before connecting the power supply, please check if the power supply voltage matches the voltage indicated by the product.
5. This product is equipped with BS British standard plug. Please check if the plug is suitable for local specifications.
6. The voltage of this product is 100-240V~, and the product will be automatically adjusted to the local voltage. Do not connect to any transformers.
7. The power output of the product will vary according to the voltage output of the place of use. If the local voltage output is low, the power output will decrease relatively, and the boiling time will be extended. This is normal.
8. This product is only suitable for boiling, cooking, and warming. Do not use it for other purposes than the intended use, including other cooking methods such as frying or deep frying.
9. This product is intended for indoor use and storage only.
10. When using the product, please make sure that it is taken care of and that the child is away from and cannot touch the product.
11. Please use the product on a firm, stable, heat-resistant surface. Do not use on heat-resistant surfaces such as carpets or plastics.
12. Do not use the kettle in wet, hot or uneven environments and surfaces. Please use it in cool environment. Do not place it in direct sunlight.
13. Do not place the product on or near flammable materials such as tablecloths or curtains.
14. Please ensure that the product must be kept away from fire and heat and not splashed with water.
15. The product should not be placed against the wall or other objects. At least 10 cm of space should be reserved around and above the product to ensure sufficient space for heat dissipation.
16. When you stop using the product, you must first shut down the product, then pull the plug from the power outlet and pull the power cord away from the product. After the product is completely cooled, it can be cleaned and maintained.
17. Do not connect the product with an external timer. This product cannot be operated by an external time setting device or a separate remote control.
18. Do not share the same power supply with other appliances to avoid accidents caused by excessive power load.
19. Do not squeeze, twist or pull the power cord to prevent the power cord from being damaged or loose. Keep the power cord away from hot surfaces.
20. When the power plug, power cord, kettle base or body is damaged, it must be stopped immediately.
21. Do not use the product if it is damaged or defective. Please contact customer service and repair center, do not modify, disassemble or repair it yourself.

Safety Notes

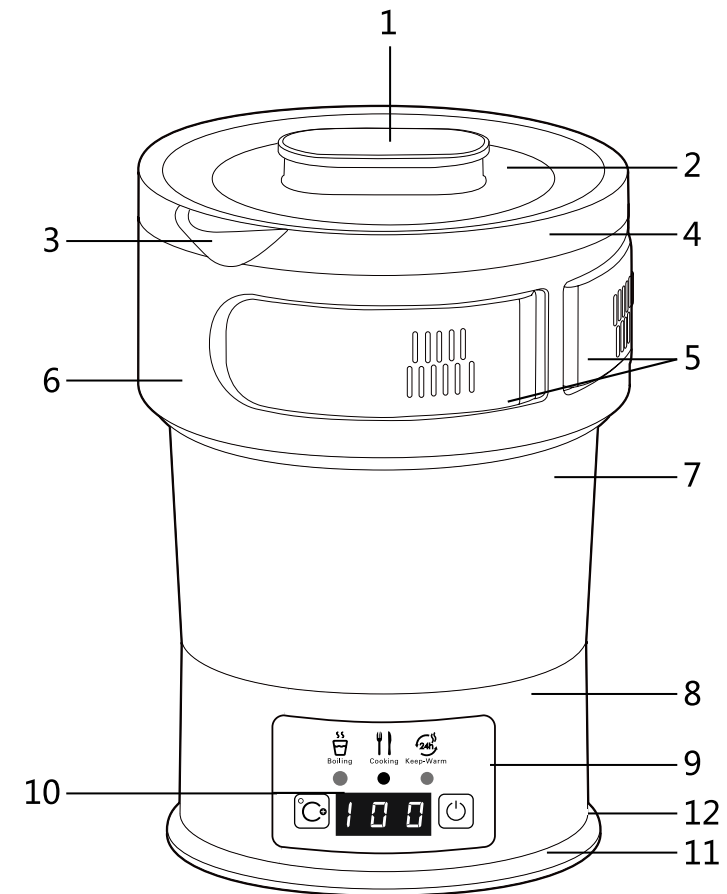
Initial use

1. The water level (with the ingredients already included) should not exceed the 600ml maximum water level in the kettle, or be lower than the 200ml minimum water level line, so as to avoid dry burning when the hot water boils or when there is no water, causing burns or damage to the product.
2. The folded body must be fully opened before use.
3. Do not operate the product with wet hands or the power cord connector, power plug and socket of the base.
4. The handle ring must be securely attached to the kettle to prevent it from coming loose when picked up.
5. If any damage or perforation occurs in the body, please stop using it to avoid water leakage.
6. When pouring water, only pour out from the spout. Do not pour water in other directions.
7. When the kettle is heated, it will emit high temperature. Do not touch it directly with your hands to avoid burns. When the water is boiling, the spout will emit high temperature vapor. Please keep at least one foot away. Keep your hand or face close to the spout or the mouth of the spout.
8. When using the cooking or keep warm function, the water will continue to heat up. Please pay attention to the amount of water in the pot to avoid dry burning.
9. Before using the kettle, please cover the lid. If you open the lid and boil, it may cause the water to stop automatically after boiling, or cause the boiling water to splash from the spout and the mouth.
10. Do not lift or move the kettle during use to avoid affecting operation or accidents.
11. The power cord must be unplugged before lifting the kettle.
12. When lifting the kettle, hold the handle firmly and do not hold the body, lid or kettle base.
13. Hold down or open the lid when pouring water to prevent the lid from falling out.
14. Do not fold the kettle during the use of the kettle, or if there is any water or ingredients in the kettle.
15. Do not tip over the kettle to avoid burns.
16. Do not cover the body, lid, spout or mouth with any objects.
17. No objects can be used to block the spout and the mouth.
18. Do not place any objects near the kettle, above the mouth and the spout to prevent the vapor from damaging the items.
19. This product is not intended for cold storage. Do not put ice in it to avoid malfunction.

Cleaning

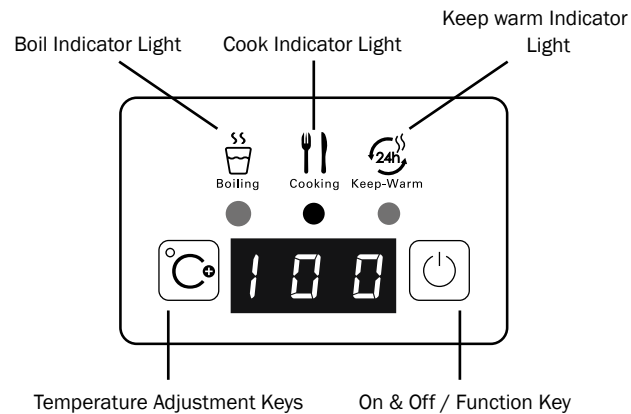
1. Do not immerse the kettle, power cord or power plug in water or any liquid. The kettle base should not be flushed or splashed to avoid leakage. Wipe the base with a soft, damp cloth only.
2. If the base and power cord connectors are inadvertently wet, they must be wiped dry and allowed to dry before they are ready for use.
3. Cleaning and maintenance should only be carried out after the product has cooled down completely.
4. Before cleaning the product, the power cord must be unplugged from the product and the power outlet.
5. This product cannot be placed in dishwashers and dryers.
6. Do not use hard objects such as scouring pads or travellers to avoid scratching or damaging the product.
7. Before folding the kettle, please make sure that the inside and outside of the kettle are completely dry.
8. When not in use or for a long time, please wash the kettle and let it dry completely, then store it in a place where children are not easily accessible.

Product Structure



- | | |
|----------------------|------------------------------|
| 1. Lid Handle | 7. Body |
| 2. Lid | 8. Kettle Base |
| 3. Spout | 9. Control Panel |
| 4. Pot Mouth | 10. Display |
| 5. Extendable Handle | 11. Bottom Cover |
| 6. Handle Ring | 12. Power Cord Outlet (back) |

Control Panel



Operating Instructions

Instructions

Fold and unfold the kettle

Unfold the kettle

1. Hold the kettle base in one hand and the handle ring in one hand.
2. Pull the kettle base down gently and fully open the kettle.
3. Pull the hidden handle on the handle ring outward.

Folding the kettle

1. Place the kettle on a flat surface first.
2. Put the hidden handles on both sides inward and attach them to the handle ring.
3. Press the kettle down from the top until it is pressed down and fully folded.

Initial use

1. When using the kettle for the first time, please make sure that all packing materials have been removed.
2. Unfold the kettle completely.
3. Thoroughly clean the inside of the kettle, the spout and the lid with a little neutral detergent and a non-abrasive sponge. Be careful not to wet the power cord connector on the base of the kettle and the back of the base.
4. Wipe the body and base with a slightly damp cloth and dry with a dry cloth.
5. Allow the kettle and all parts to dry completely before using them.
6. Add water to the 600ml maximum water level and boil and pour it off once or twice (do not drink).



Operating Instructions

Steps for usage

1. Unfold the kettle and open the lid.
2. Fill in the required amount of water and then cover the lid. Do not pour below the minimum water level of 200ml or exceed the maximum water of 600ml with ingredients already placed).
3. Plug the power cord into the power cord connector on the back of the base before plugging it into the outlet.
4. When the power is turned on, the kettle will beep and the display will show OFF, indicating that the kettle has entered standby.
5. In standby mode, press the on/off/function key continuously to select four modes: boiling, cooking, keep warm and standby, and cycle in this order.
6. If you need to stop the operation during use, press the on/off/function key, the kettle will stop working, return to the standby state, and the display will show OFF.
7. After use, please make sure that the kettle is turned off and the display shows OFF. Please pull the power plug out of the socket, then pull the power cord off the kettle before lifting the kettle.
8. To pour water, press and open the lid to prevent the lid from falling out.
9. Allow the kettle to cool completely after use and then clean it.

Boiling function

1. Press the on/off/function key once to select the boiling function. The water indicator light flashes and the display will flash simultaneously to display the current water temperature. When the flashing stops, the kettle enters the boiling mode.
2. When the water temperature reaches 100°C, the kettle automatically stops heating, beeps and returns to standby.

Note: Do not open the lid during boiling.

Cooking function

1. Press the on/off/function button twice to select the cooking function. The cooking indicator flashes and the display will flash simultaneously to indicate the current water temperature. When the flashing stops, the kettle enters the cooking mode.
2. When the water temperature reaches 100°C, the kettle will continue to heat and cook.
3. When cooking is complete, press the on/off/function key to turn off the kettle. The kettle stops heating and beeps and returns to standby.

Note:

- It is recommended to open the lid when cooking to avoid fading.
- The cooking function can be used to sterilize dishes.

Operating Instructions

Keep warm function

1. Press the on/off/function key three times to select the keep warm function. The warming indicator flashes, and the display will flash at 50 °C to preset the warming temperature. During the flashing, press the temperature adjustment key to set the warming temperature.
2. The warming temperature setting range is 30 °C - 90 °C (cycle display). Each press increases by 1 °C, long press the temperature adjustment key to continuously speed up the adjustment.
3. When the desired temperature is set, release the temperature adjustment key and wait until the display stops flashing, indicating that the kettle has entered the warming mode.
4. The display shows the current water temperature. If the water temperature is lower than the warming temperature, the kettle will automatically heat until the temperature reaches the warming temperature. If the water temperature is higher than the warming temperature, the kettle will automatically heat when the water temperature drops below the warming temperature.
5. During the warming period, you can still adjust the warming temperature by pressing the temperature adjustment button.
6. During the warming function, the kettle will be intermittently heated to maintain the warming temperature.
7. After the warming is completed, press the on/off/function button, the kettle will stop warming, beep and return to standby.

Note:

- Do not use unboiled water for keep warm, as the keep warm function will not boil water.
- The keep warm function can operate for up to 24 hours. Please stop the keep warm manually according to your personal needs.
- After 24 hours of keep warm, the kettle will automatically stop the warming and return to standby.
- Use the keep warm function to adjust to the appropriate water temperature to prepare different drinks. (Recommended: 70 °C baby milk powder, 85 °C coffee, 90 °C green tea, 100 °C flower tea.)

Care & Maintenance

General cleaning procedure

- Wash immediately after each use.
- Thoroughly clean the inside of the kettle, the spout and the lid with a little neutral detergent and a non-abrasive sponge.
- The kettle base cannot be rinsed and splashed. Wipe the body and base with a slightly damp cloth and dry with a dry cloth.
- Please wait until the inside and outside of the kettle are completely dry before folding.

Descaling

- After using the product for a period of time, the internal heating plate of the kettle may have scale, that is, some red or grayish spots, which is normal.
- Please remove the scale regularly. It is recommended that the user remove the scale at least once every half month to two months.
- Pour about 200ml of white vinegar or citric acid into the pot and soak for at least one hour.
- Then pour out white vinegar or citric acid, wipe the hot plate with a damp cloth and wipe off scale deposits.
- Add 600ml of water, simmer once or twice, then pour off the water (do not drink). Rinse off with water after cooling.
- If there is too much scale, it can be repeatedly removed. After the descaling is completed, it is recommended to run once with pure water.

Watch the video clip



Troubleshooting

Malfunction	Probable Cause	Solution
Kettle does not start	Not plugged in properly	Check the power connection
	Circuit failure	Contact Customer Service and Repair Center
Kettle does not heat	Function not yet selected	Choose appropriate function
	Base heating plate failure	Contact Customer Service and Repair Center
	Thermostat failure	Contact Customer Service and Repair Center
	Circuit failure	Contact Customer Service and Repair Center
Switch does not flip after water is boiling	Thermostat failure	Contact Customer Service and Repair Center
	Circuit failure	Contact Customer Service and Repair Center
Switch flips before water boils	Water scale too thick	Descale kettle
	Circuit failure	Contact Customer Service and Repair Center

Specifications

Model	KTT-109
Voltage	100-240V
Power	245W-850W
Product Dimensions	Unfolded: (H)182 (W)122 (D)122 mm Folded: (H)79 (W)122 (D)122 mm
Packaging Dimensions	(H)95 (W)170 (D)170 mm
Net Weight	0.75 kg
Gross Weight	1 kg
Capacity	600ml
Temperature:	Boiling & Cooking: 100°C, Keep-Warm: 30-90°C

目錄

安全注意事項	12
產品結構	14
控制面板	15
操作說明	15
清潔與保養	17
常見問題及故障排除	18
產品規格	18
保用條款	19

安全及注意事項

警告

1. 在使用之前請仔細閱讀說明書，並妥為保存，以便日後參考。
2. 本產品不適合八歲以下兒童、身體、感官或智力有障礙人士或缺乏經驗及知識者使用，除非他們受到負責其安全的人士監督或指示。
3. 在任何情況下，不可讓八歲以下兒童接觸、使用或玩耍本產品。兒童不可對產品進行清潔或維修，不可接觸電源線及所有配件。
4. 接駁電源前，請檢查電源電壓是否與產品標示的電壓相符。
5. 本產品配置BS英規插頭，使用時請檢查插頭是否適當地規格。
6. 本產品電壓為世界電壓100-240V~，產品會自動調節至當地電壓。切勿連接任何變壓器使用。
7. 產品的功率輸出會因應使用地的電壓輸出而變動，如當地電壓輸出較低，功率輸出會相對下降，煲水時間則會相對延長，這是正常現象。
8. 本產品只適用於煲水、煲煮食物和保溫，請勿用於指定用途以外的其他用處，包括用於煎或油炸等其他煮食方式。
9. 本產品只供室內家庭使用和存放。
10. 使用產品時，請確保必須有人看管，並確保兒童遠離及不可接觸本產品。
11. 請把產品放在堅固、平穩、耐熱的表面上使用。請勿在地毯或塑料等不耐熱的表面上使用。
12. 不可在潮濕、高溫或不平坦的環境及表面使用水壺。請在室涼及陰涼處使用，不可放在陽光直接照射的地方。
13. 不可將產品放在易燃物上面或附近，例如檯布或窗簾等。
14. 請確保產品必須遠離火源和發熱體，及不可被水濺濕。
15. 產品不可倚靠着牆壁或其他物品擺放，產品的四周及上方需預留至少10厘米的空間，以確保有足夠空間散熱。
16. 停止使用產品時，必須先把產品關機，然後從電源插座拔出插頭及把電源線拔離產品，待產品完全冷卻後，才可進行清潔與保養。
17. 不可使用外接定時器連接本產品。本產品不可以外置時間設定的裝置或獨立的遙控器操作。
18. 請勿與其他電器共用同一電源，以免電力負荷過大發生意外。
19. 請勿擠壓、扭曲或拉扯電源線，以免電源線受損及鬆脫。電源線應遠離高溫表面。
20. 當電源插頭、電源線、水壺底座或壺身有破損時，必須立即停止使用。
21. 如產品損壞或故障，請勿使用產品。請聯絡客戶服務及維修中心，切勿自行改裝、拆卸或維修。

安全及注意事項

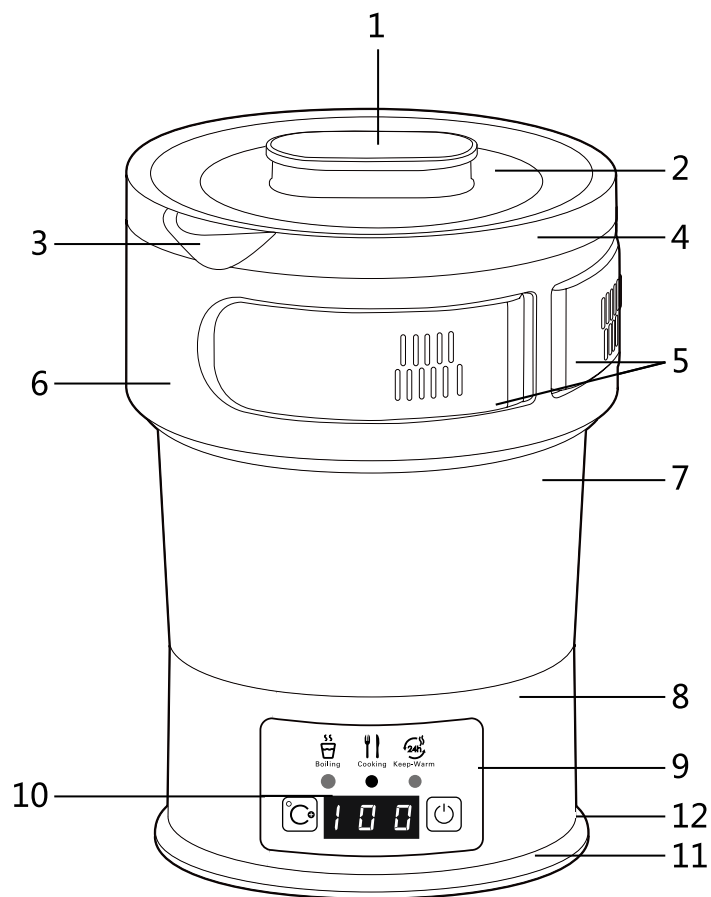
使用注意事項

1. 注水水位（包括已放入食材）不可超過水壺內600ml最高水位線，或低過200ml最低水位線，以免熱水沸騰時溢出或沒水時乾燒，造成燙傷或損壞產品。
2. 使用前必須先把摺合的壺身完全打開。
3. 請勿用濕手操作產品或觸摸底座的電源線接頭、電源插頭及插座。
4. 手柄固定環必須穩固地裝在壺身上，以免拿起時鬆脫。
5. 壺身如出現任何破損或穿孔，請停止使用，以免漏水。
6. 倒水時只可從壺嘴倒出，請勿在其他方向倒水。
7. 水壺加熱時會發出高溫，切勿用手直接觸摸，以免燙傷。水沸騰時，壺嘴或壺口會噴出高溫蒸氣，請保持最少一尺距離，不可將手或臉靠近壺嘴或壺口。
8. 使用煮食或保溫功能時，水會持續加熱。請留意壺內水量，避免乾燒產品。
9. 使用水壺前，請先蓋好壺蓋。如打開壺蓋煲水，可能會導致水沸騰後不能自動停止加熱，或導致滾水從壺嘴及壺口飛濺出來。
10. 切勿在使用期間提起或移動水壺，以免影響運作或發生意外。
11. 提起水壺前，必須先拔除電源線。
12. 提起水壺時，請握穩手柄提起，不要握住壺身、壺蓋或水壺底座。
13. 倒水時請按住或打開壺蓋，以免壺蓋掉下來。
14. 使用水壺期間，或壺內有任何水和食材等，不可摺合水壺。
15. 切勿翻倒水壺，以免燙傷。
16. 使用時切勿用任何物件遮蓋壺身、壺蓋、壺嘴或壺口。
17. 不可用任何物件堵塞壺嘴及壺口。
18. 水壺附近、壺嘴和壺口上方不可放置雜物，以免蒸氣損壞物品。
19. 本產品不可作保冷使用，切勿放入冰塊，以免發生故障。

清潔注意事項

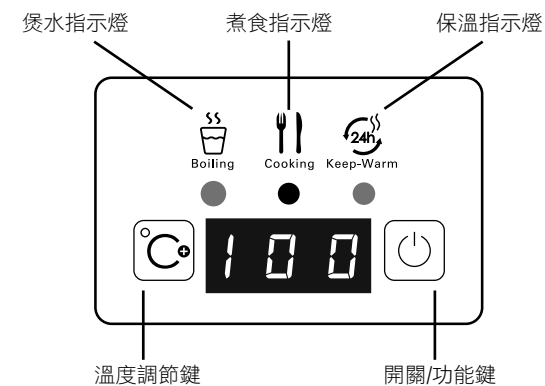
1. 不可把水壺、電源線或電源插頭浸在水或任何液體中，水壺底座不可沖水和澆水，以免引起漏電。只可用微濕軟布擦拭清潔底座。
2. 如不慎弄濕底座和電源線接頭，必須抹乾並待其完全乾透後才可使用。
3. 待產品完全冷卻後，才可進行清潔與保養。
4. 清潔產品前，電源線必須先拔離產品及電源插座。
5. 本產品不可放進洗碗機及乾碗機。
6. 請勿用百潔布或鋼絲圈等硬物清潔，以免刮花或損壞產品。
7. 摺合水壺前，請先確保壺身內外已完全乾透。
8. 使用完畢或長時間不使用時，請先清洗水壺並待其完全風乾，然後存放在兒童不易接觸的地方。

產品結構



- | | |
|----------|------------------|
| 1. 壺蓋提手 | 7. 壺身 |
| 2. 壺蓋 | 8. 水壺底座 |
| 3. 壺嘴 | 9. 控制面板 |
| 4. 壺口 | 10. 顯示屏 |
| 5. 手柄 | 11. 底盤 |
| 6. 手柄固定環 | 12. 電源線接頭 (底座背後) |

控制面板



操作說明

摺合和展開水壺

展開水壺：

1. 一手握住水壺底座，一手握住手柄固定環。
2. 把水壺底座輕力向下拉出，把水壺完全展開。
3. 把手柄固定環上的隱藏手柄向外拉開。

摺合水壺：

1. 先把水壺放在平坦的表面上。
2. 把兩邊的隱藏手柄向內合起來，貼住手柄固定環。
3. 把水壺從頂部輕力向下壓，直至把壺身壓下，完全摺合起來。

初次使用

1. 初次使用水壺，請確保已移除所有包裝物料。
2. 把水壺完全展開。
3. 用少許中性清潔劑和非磨蝕性海綿徹底清洗水壺內部、壺嘴及壺蓋。注意不要弄濕水壺底座和底座背面的電源線接頭。
4. 用微濕軟布擦拭壺身和底座，再用乾布抹乾。
5. 把水壺及所有部件完全風乾後，才可開始使用。
6. 加水至600ml最高水位線，煲水一至兩次後倒掉（切勿飲用）。

觀看操作視頻



操作說明

使用步驟

1. 展開水壺，打開壺蓋。
2. 注入所需水量，然後把壺蓋蓋穩。不要低過200ml最低水位或超過600ml最高水（包括已放食材）。
3. 先把電源線插入底座背後的電源線接頭，然後再把插頭插入插座。
4. 接通電源時，水壺會發出蜂鳴聲，顯示屏顯示OFF，表示水壺已進入待機狀態。
5. 待機狀態下，連續按開關/功能鍵，可選擇煲水、煮食、保溫、待機四個模式，按此順序循環。
6. 使用期間如需停止操作，可按一下開關/功能鍵，水壺停止運作，返回待機狀態，顯示屏顯示OFF
7. 使用完畢後，請先確定已關掉水壺，顯示屏顯示OFF。請先把電源插頭拔離插座，再把電源線拔離水壺，然後才可提起水壺。
8. 如需倒水，請按住或打開壺蓋，以免壺蓋掉下來。
9. 使用後請待水壺完全冷卻，然後進行清潔。

煲水功能

1. 按一下開關/功能鍵，可選擇煲水功能。煲水指示燈閃爍，顯示屏會同時閃爍顯示當前水溫。停止閃爍時，表示水壺進入煲水模式。
 2. 當水溫達到100°C，水壺自動停止加熱，並發出蜂鳴聲和返回待機狀態。
- 注意：**煲水期間，請勿打開壺蓋。

煮食功能

1. 按兩下開關/功能鍵，可選擇煮食功能。煮食指示燈閃爍，顯示屏會同時閃爍顯示當前水溫。停止閃爍時，表示水壺進入煮食模式。
2. 當水溫達到100°C，水壺會繼續加熱，進行煮食。
3. 煮食完畢時，請按一下開關/功能鍵，關掉水壺。水壺停止加熱，並發出蜂鳴聲和返回待機狀態。

注意：

- 煮食時建議打開壺蓋，以免食材滾瀉。
- 煮食功能可用於消毒餐具。

保溫功能

1. 按三下開關/功能鍵，可選擇保溫功能。保溫指示燈閃爍，顯示屏會同時閃爍顯示50°C預設保溫溫度，在閃爍期間可按溫度調節鍵，設定保溫溫度。
2. 保溫溫度設定範圍為30°C-90°C（循環顯示）。每按一下增加1°C，長按溫度調節鍵可連續加快調整。
3. 設定好所需溫度時，放開溫度調節鍵，待顯示屏停止閃爍，表示水壺已進入保溫模式。
4. 顯示屏會顯示當前水溫。如水溫低於保溫溫度，水壺會自動加熱，直至達到保溫溫度後才停止加熱；如水溫已高於保溫溫度，水壺會待水溫下降至低於保溫溫度，才自動加熱。
5. 保溫期間，仍可按溫度調節鍵調節保溫溫度。
6. 使用保溫功能期間，水壺會間斷反覆加熱，以維持在保溫溫度。
7. 完成保溫後，請按一下開關/功能鍵，水壺停止保溫，並發出蜂鳴聲和返回待機狀態。

注意：

- 請勿使用生水進行保溫，因應保溫功能不會把水煲至沸騰。
- 保溫功能最長可運作24小時，請按個人需要手動停止保溫。
- 保溫24小時後，水壺會自動停止保溫及返回待機狀態。
- 可利用保溫功能調至合適水溫，用來沖調不同飲品。（建議：70°C 嬰兒沖奶粉，85°C 咖啡，90°C 綠茶，100°C 花茶）

清潔與保養

一般清潔程序

- 每次使用後，請立即進行清洗。
- 可用少許中性清潔劑和非磨蝕性海綿徹底清洗水壺內部、壺嘴和壺蓋。
- 水壺底座不能沖水和澆水。可用微濕軟布擦拭壺身外殼和底座，然後再用乾布抹乾。
- 請待水壺內外完全乾透後，才可進行摺合。

清除水垢程序

- 產品使用一段時間後，水壺內部發熱盤或會出現水垢，即一些紅色或灰白色斑點，此乃正常現象。
- 請定期清除水垢。建議用戶最少每一個半月至二個月進行一次清除水垢。
- 將約200ml食用白醋或檸檬酸倒進壺內，浸泡最少一小時以上。
- 然後倒出白醋或檸檬酸，用濕布擦拭發熱盤，抹去水垢沉積物。
- 加入600ml水，煲一至兩次，然後把水倒掉（切勿飲用）。待冷卻後用水沖洗乾淨。
- 如水垢過多，可以反覆除水垢。完成除水垢後，建議使用純淨水運行一次。

觀看操作視頻



常見問題及故障排除

故障描述	可能原因	處理方法
水壺無法啟動	插頭未插好	檢查電源接駁
	電路故障	聯絡客戶服務及維修中心
水壺無法加熱	未選擇功能	選擇所需功能
	發熱盤故障	聯絡客戶服務及維修中心
	溫控器故障	聯絡客戶服務及維修中心
	電路故障	聯絡客戶服務及維修中心
水滾後不跳掣	溫控器故障	聯絡客戶服務及維修中心
	電路故障	聯絡客戶服務及維修中心
水未滾便跳掣	水垢太厚	清除水垢
	電路故障	聯絡客戶服務及維修中心

產品規格

型號	KTT-109
電壓	100-240V
功率	245W-850W
產品尺寸	摺疊前：(H)182 (W)122 (D)122 mm 摺疊後：(H)79 (W)122 (D)122 mm
包裝尺寸	(H)95 (W)170 (D)170 mm
淨重	0.75kg
總重	1 kg
容量	600ml
溫度	溫度：煲水、煮食：100°C 保溫：30-90°C

保用條款

此保用提供德國寶產品之機件在正常使用下壹年保用 (自購買日起計算)。

* 貴戶須在購機十天內，以下列其中一種方式向本公司登記資料，保用手續方正式生效：

1) 填妥本公司網頁內之保用登記表格

www.germanpool.com/warranty

2) 填妥保用登記卡，郵寄至本公司。



Warranty Terms & Conditions

Under normal operations, the product will guarantee a 1-year full warranty provided by German Pool (effective from the date of purchase).

* This warranty is not valid until customer registration information is received by our Service Centre within 10 days of purchase via one of the following means:

1) Visit our website and register online:

www.germanpool.com/warranty

2) Complete all the fields on the attached Warranty Card and mail it back to our Customer Service Centre.



另請填妥以下表格並與正本發票一併保存，以便維修時核對資料。用戶提供之所有資料必須正確無誤，否則免費保用將會無效。 Please fill out the form below. This information and the original purchase invoice will be required for any repairs. Warranty will be invalidated if information provided is found to be inaccurate.

型號 Model No. : **KTT-109**

機身號碼 Serial No. : _____ 發票號碼 Invoice No. : _____

購買商號 Purchased From : _____ 購買日期 Purchase Date : _____

- 未能出示購買發票正本者，將不獲免費維修服務。
- 用戶應依照說明書的指示操作。本保用並不包括：
 - 上門安裝、檢驗、維修或更換零件之人工以及一切運輸費用；
 - 因天然與人為意外造成的損壞 (包括運輸及其他)；
 - 電源接合不當、不依說明書而錯誤或疏忽使用本機所引致之損壞。
- 於下列情況下，用戶之保用資格將被取消：
 - 購買發票有任何非認可之刪改；
 - 產品被用作商業或工業用途；
 - 產品經非認可之技術人員改裝或加裝任何配件；
 - 機身編號被擅自塗改、破壞或刪除。
- 總代理有權選擇維修或更換配件或其損壞部份。
- 產品一經被轉讓，其保用即被視作無效。

- Customer who fails to present original purchase invoice will not be eligible for free warranty service.
- Customer should always follow the operating instructions. This warranty does not apply to:
 - labour costs for on-site installation, check-up, repair, replacement of parts and other transportation costs;
 - damages caused by accidents of any kind (including material transfer and others);
 - operating failures resulting from applying incorrect voltage, improper usage, and unauthorized installations or repairs.
- This warranty is invalid if:
 - the purchase invoice is modified by an unauthorized party;
 - the product is used for any commercial or industrial purposes;
 - the product is repaired or modified by unauthorized personnel, or unauthorized parts are installed;
 - the serial number is modified, damaged or removed from the product.
- German Pool will, at its discretion, repair or replace any defective part.
- This warranty will be void if there is any transfer of ownership from the original purchaser.

客戶服務及維修中心

香港

九龍灣啟興道1-3號

九龍貨倉10樓

電話：+852 2333 6249

傳真：+852 2356 9798

電郵：repairs@germanpool.com

澳門

澳門俾利喇街145號

寶豐工業大廈3樓

電話：+853 2875 2699

傳真：+853 2875 2661

Customer Service & Repair Centre

Hong Kong

10/F, Kowloon Godown

1-3 Kai Hing Road, Kowloon Bay, Kowloon, Hong Kong

Tel : +852 2333 6249

Fax : +852 2356 9798

Email : repairs@germanpool.com

Macau

3/F, Edificio Industrial Pou Fung,

145 Rua de Francisco Xavier Pereira, Macau

Tel : +853 2875 2699

Fax : +853 2875 2661

此保用只適用於香港及澳門

This warranty is valid only in Hong Kong and Macau

German Pool (Hong Kong) Limited

Hong Kong

Room 113, Newport Centre Phase II, 116 Ma Tau
Kok Road, Tokwawan, Kowloon, Hong Kong.
Tel: +852 2773 2888
Fax: +852 2765 8215

China

8th, Xinxiang Road, Wusha Industrial Park,
Daliang, Shunde, Foshan, Guangdong
Tel: +86 757 2980 8308
Fax: +86 757 2980 8318

Macau

3/F, Edificio Industrial Pou Fung,
145 Rua de Francisco Xavier Pereira, Macau
Tel: +853 2875 2699
Fax: +853 2875 2661



香港《S MARK》
安全認證



中國電器/家電行業
十大影響力品牌



CEO非凡品牌大賞



香港優質商號



香港工商業獎



2007
最具潛質
創建品牌企業獎



香港中小企業
最佳拍檔大獎



香港消費者推崇品牌



香港《O 嘜》
優質服務證書



香港名牌十年成就獎
HONG KONG TOP BRAND TEN YEAR
ACHIEVEMENT AWARD

© All rights reserved. Copying, reproducing or using the contents of this manual is not allowed without prior authorization from German Pool, violators will be prosecuted.