

**GERMAN**  
POOL

# SMART VACUUM BOTTLE

SVB-245



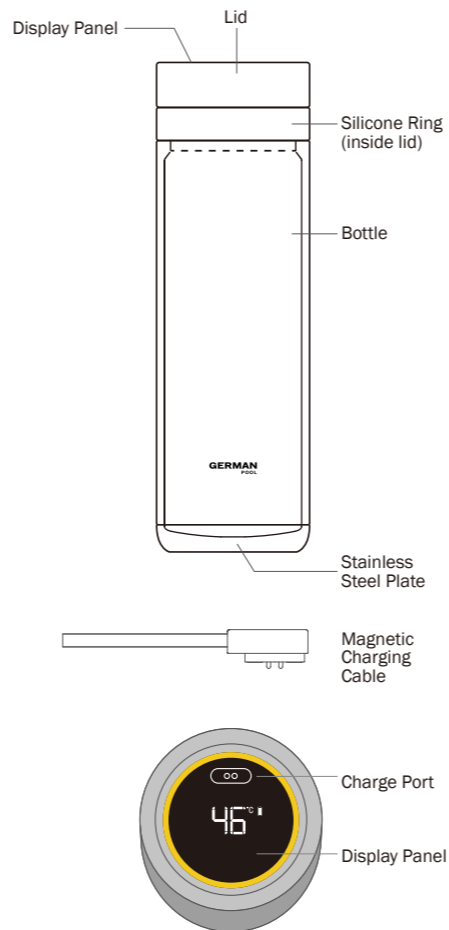
## USER MANUAL

Please read these instructions and warranty information carefully before use and keep them handy for future reference.

### Warnings and Safety Precautions

1. Before using this product for the first time, wash this product thoroughly with warm water diluted with dish detergent, then rinse thoroughly before use.
2. The lid of this product contains electronic components, DO NOT disassemble by yourself. After washing the lid, make sure the charging port is completely dry to avoid short circuit or rusting.
3. To ensure optimal keep warm and keep cold effect, add an appropriate amount of hot water or ice water into the bottle to preheat or precool product before use. Add ice cubes for better result when keeping cold.
4. To ensure the function of this product and to prolong its service life, avoid collision or strong impact during use.
5. Be careful when hot liquid is placed inside this product to avoid scalding.
6. DO NOT keep warm dairy product or baby food for a long time to avoid the growth of harmful bacteria.
7. DO NOT place dry ice, carbonated drinks or other expandible products inside this product.
8. Minors must use this product under the guidance of adults.
9. If accessories are lost or damaged during normal use, contact German Pool Customer Service & Repair Centre.
10. This product has an IPX7 protection rating and is splashproof and washable.
11. DO NOT place this product in the dishwasher, dish warmer, utensil dryer or dish sterilizer to avoid damaging this product.
12. DO NOT charge this product outside the temperature range of 3°C-43°C.
13. DO NOT use banana oil, gasoline, scourge pad, abrasive sponge or cleansing powder to clean this product.
14. When charging this product's battery, keep the charge port dry and clean.
15. This product contains magnet, users with pacemakers must use this product with extra care.
16. This product contains a lithium ion battery, DO NOT charge product when there is hot liquid inside. DO NOT disassemble, strike, apply pressure or throw into fire.
17. DO NOT use microwave oven or other heating equipment to heat this product. DO NOT place this product near an open flame.
18. DO NOT use this product in places where there are express regulations prohibiting the use of wireless devices, as it may interfere with other electronic devices and cause other hazards.
19. The lid of this product contains electronic parts and magnet, prolonged exposure to high temperature can cause demagnetization. DO NOT soak this product in water for a long time, and DO NOT boil this product in hot water.

### Product Structure



**Note:**  
The lid contains a battery, DO NOT disassemble.

### Operation Instructions

#### Charging This Product

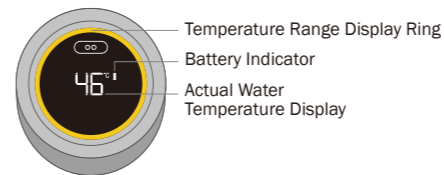
To use this product's temperature-display function, please charge this product fully before use.

1. Place this product on a flat level surface, attach the USB end of the magnetic charging cable to the USB power adaptor, and attach the magnetic side onto the charge port on the lid.
2. During charging, the battery indicator on the display panel will blink and indicate the current battery level.
3. When product is fully charged, the battery indicator will light up constant.

#### Note:

- The magnetic charging cable can only be used with a safety-certified power adaptor.
- When the magnetic charging cable is connected to power, DO NOT place the attach the magnetic end of the cable onto other conductive materials to prevent short circuit.

#### Display Panel



The yellow zone is the lid's touch zone. When user touches this zone, Temperature Range Display Ring, Actual Water Temperature Display and Battery Indicator will all light up, and product's Temperature Gauging Function will be activated.

If Temperature Gauging Function has not been activated in 15 days, this product will automatically turn off, after which touching the display panel will yield no response. User must recharge this product in order to turn it on again.

### Operation Instructions

**Actual Water Temperature Display**  
Actual Water Temperature Display shows real-time temperature of the liquid inside the product.



Liquid is 26°C      Liquid is 46°C      Liquid is 96°C

#### Temperature Range Display Ring

The different colors of the Temperature Range Display Ring correspond to different water temperature ranges inside the product.



Green  
Liquid inside the product is below 36°C

Yellow  
Liquid inside the product is between 37°C-49°C

Red  
Liquid inside the product is between 50°C-100°C

### Technical Specification

Model	SVB-245
Rated Capacity	450 ml
Maximum Allowable Temperature	100°C
Power Input	DC 5V=1A
Voltage	3.7 V
Battery	250 mAh
Product Dimensions	(H) 209 (Ø) 66 mm
Net Weight	252g

- Specification is subject to change without prior notice.
- If there is any inconsistency or ambiguity between the English version and the Chinese version, the Chinese version shall prevail.
- Refer to [www.germanpool.com](http://www.germanpool.com) for the most updated version of the User Manual.

## 保用條款

此保用提供德國寶產品之機件在正常使用下壹年保用 (自購買日起計算)。

\* 貴戶須在購機十天內，以下列其中一種方式向本公司登記資料，保用手續方正式生效：

- 1) 填寫德國寶VIP手機應用程式保用登記表 (掃描右方二維碼)
- 2) 填寫本公司網頁保用登記表 [www.germanpool.com/warranty](http://www.germanpool.com/warranty)
- 3) 填寫保用卡郵寄至本公司。



## Warranty Terms & Conditions

Under normal operations, the product will guarantee a 1-year full warranty provided by German Pool (effective from the date of purchase).

\* This warranty is not valid until customer registration information is received by our Service Centre within 10 days of purchase via one of the following means:

- 1) Visit our VIP App and register online: (Scan the QR Code on the right)
- 2) Visit our website and register online: [www.germanpool.com/warranty](http://www.germanpool.com/warranty)
- 3) Complete the attached Warranty Card and mail it back to our Customer Service Centre.



另請填妥以下表格並與正本發票一併保存，以便維修時核對資料。用戶提供之所有資料必須正確無誤，否則免費保用將會無效。

Please fill out the form below. This information and the original purchase invoice will be required for any repairs. Warranty will be invalidated if information provided is found to be inaccurate.

型號 Model No.: **SVB-245**

機身號碼 Serial No.: \_\_\_\_\_ 發票號碼 Invoice No.: \_\_\_\_\_

購買商號 Purchased From: \_\_\_\_\_ 購買日期 Purchase Date: \_\_\_\_\_

1. 未能出示購買發票正本者，將不獲免費維修服務。
2. 用戶應依照說明書的指示操作。本保用並不包括：
  - 上門安裝、驗收、維修或更換零件之人工以及一切運輸費用；
  - 因天然與人為意外造成的損壞 (包括運輸及其他)；
  - 電線接合不當、不依照說明書而錯誤或疏忽使用本機所引致之損壞。
3. 於下列情況下，用戶之保用資格將被取消：
  - 購買發票有任何非認可之更改；
  - 產品被用作商業或工業用途；
  - 產品經非認可之技術人員改裝或加装任何配件；
  - 機身編號被擅自塗改、破壞或刪除。
4. 總代理有權選擇維修或更換配件。
5. 產品一經被轉讓，其保用即被視作無效。

1. Customer who fails to present original purchase invoice will be eligible for free warranty service.
2. Customer should always follow the operating instructions. This warranty does not apply to:
  - labour costs for on-site installation, check-up, repair, replacement of parts and other transportation costs;
  - damages caused by accidents of any kind (including transport and others);
  - operating failures resulted from incorrect voltage, improper operations and unauthorized installations or repairs.
3. This warranty is invalid if:
  - the purchase invoice is modified by unauthorized party;
  - the product is used for any commercial or industrial applications;
  - the product is repaired or modified by unauthorized personnel, or unauthorized parts are installed;
  - the serial number is modified, damaged or removed from the product.
4. German Pool will, in its discretion, repair or replace any defective part.
5. This warranty will be void if there is any transfer of ownership from the original purchaser.

## 客戶服務及維修中心

中國香港  
九龍大龍灣59號  
三灣九龍灣管理中心地下B室  
電話：+852 2773 2888  
傳真：+852 2356 9798  
電郵：repairs@germanpool.com

中國澳門  
澳門青洲大馬路(青洲新街)  
515號美居康樂第二期1樓A室  
電話：+853 2875 2699  
傳真：+853 2356 2661

## Customer Service & Repair Centre

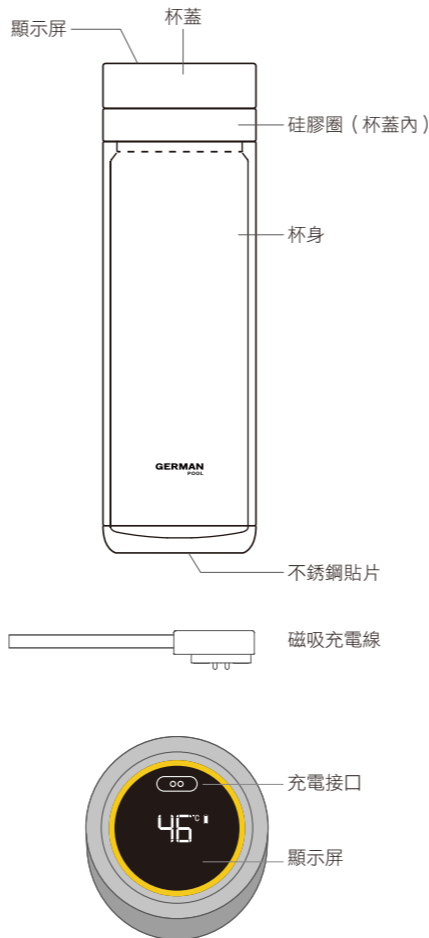
Hong Kong, China  
Unit 8, G/F, Seaside Kowloon Bay  
Cargo Centre, 59 Ta Yip Street,  
Kowloon, Hong Kong  
Tel: +852 2773 2888  
Fax: +852 2356 9798  
Email: repairs@germanpool.com

Macau, China  
No.515 Avenida Do Condeheiro Botica  
Macau  
Tel: +853 2875 2699  
Fax: +853 2356 2661

## 警告及注意事項

1. 首次使用前必須用溫水加適量餐具洗潔精清洗，再用清水沖洗後使用。
2. 杯蓋內含電子部件，嚴禁自行拆解。沖洗後必須確保充電口的水已清除，避免短路或生鏽。
3. 為達到保熱、保冷的最佳效果，請在使用前加適量的熱水或冰水進行預熱或預冷。保冷時加入冰塊效果會更佳。
4. 為確保本產品的功能，延長使用壽命，使用過程中必須避免碰撞或強力衝擊。
5. 本產品放入熱飲後，必須小心使用，防止燙傷。
6. 嚴禁用於對乳製品或嬰兒食品的長時間保溫，以防有害細菌繁殖。
7. 嚴禁存放乾冰、碳酸飲品等易膨脹食物。
8. 未成年人必須在成年人指導下使用本產品。
9. 在正常使用過程中如配件遺失或損壞，請聯絡德國寶客戶服務及維修中心。
10. 本產品達到 IPX7 防水等級，防潑濺，可水洗。
11. 嚴禁使用洗碗機、烘碗機、餐具乾燥機、消毒櫃等清洗及乾燥本產品，以免損傷。
12. 嚴禁在 3°C -43°C 範圍以外的溫度進行充電。
13. 嚴禁使用香蕉水、汽油、金屬鋼絲球、含研磨材質的海綿刷、去污粉等清洗本產品。
14. 充電時必須保持充電口乾燥、清潔。
15. 本產品含磁鐵，帶有心臟起搏器的用戶必須謹慎使用本產品。
16. 本產品內置鋰電池，嚴禁在裝入沸水後充電。嚴禁拆解、撞擊、擠壓或投入火中。
17. 嚴禁使用微波爐等加熱設備對本產品進行加熱。使用時避免接近明火。
18. 有明文規定禁止使用無線設備的場所，嚴禁使用本產品，否則會干擾其他電子設備或導致其他危險。
19. 本產品杯蓋有電子件和磁鐵，持續高溫會導致消磁。嚴禁長時間浸泡，嚴禁水煮等。

## 產品結構



**注意：**  
杯蓋內置電池，嚴禁自行拆卸。

## 使用說明

### 充電

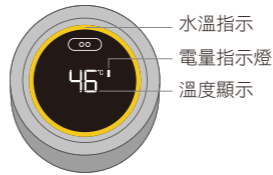
如需使用本產品的測溫功能，請在使用前先用為本產品充電。

1. 將本產品放置在平面位置，將磁吸充電線插入 USB 插座，充電頭連接杯蓋上的充電接口。
2. 充電過程中，顯示屏上的電量指示燈閃爍，並顯示當前電量。
3. 充滿電後，電量指示燈常亮。

### 注意：

- 磁吸充電線僅可在獲得安全認證的插座上使用。
- 磁吸充電線通電時，嚴禁將充電頭吸附至其他導電材料上，以防發生短路。

### 顯示屏



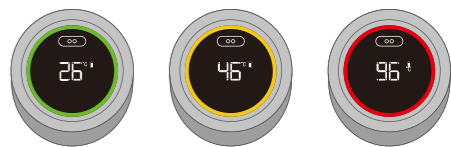
黃色區域為杯蓋的觸控區域，輕觸該區域後，「水溫指示」、「溫度顯示」及「電量指示燈」同時亮著，產品啟動測溫功能。

如 15 天內沒有使用測溫功能，本產品將自動關機，輕觸後產品沒有反應。此時須要使用磁吸充電線充電以重啟本產品。

## 使用說明

### 溫度顯示

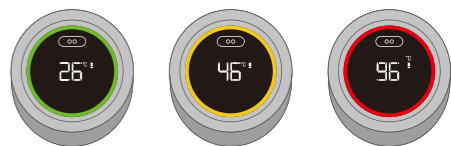
「溫度顯示」顯示杯內的實時水溫。



代表溫度為 26°C 代表溫度為 46°C 代表溫度為 96°C

### 水溫指示

「水溫指示」的顏色對應杯內不同的水溫範圍。



綠色 代表杯內液體在 36°C 以下  
黃色 代表杯內液體在 37°C-49°C 之間  
紅色 代表杯內液體在 50°C-100°C 之間

## 技術規格

型號	SVB-245
額定容量	450 ml
最高可承受溫度	100°C
輸入功率	DC 5V $\pm$ 1A
電壓	3.7 V
電池容量	250 mAh
產品尺寸	(H) 209 (Ø) 66 mm
淨重	252g

- 產品規格及設計如有變更，恕不另行通知。
- 中英文版本如有出入，一概以中文版為準。
- 本產品使用說明書以[www.germanpool.com](http://www.germanpool.com)網上版為最新版本。