

Mini Food Processor

BLD-M30



Online Warranty Registration



Please read these instructions and warranty information carefully before use and keep them handy for future reference.

**USER MANUAL**

請即進行保用登記！  
有關保用條款細則，請看說明書最後一頁。

---

Please register your warranty information now !  
For Warranty Terms & Conditions,  
please refer to the last page of this user manual.

# Table of Contents

---

Warnings & Safety Precautions 04

Product Structure 06

Operation Instructions 07

Cleaning & Maintenance 08

Technical Specification 08

Warranty Terms & Conditions 15

# Warnings & Safety Precautions

---

## **WARNING!**

Read all instructions carefully before using this product.

- This product is for domestic indoor use only. If this product is used for any commercial, industrial, rental or other purposes, product warranty will be VOIDED.
  - This product is not intended for use by children or persons with reduced physical, sensory or mental capabilities, or lack of experience and knowledge, unless they have been given supervision or instruction concerning use of this product by an adult responsible for their safety.
  - Mind your children and DO NOT let children play with this product.
  - Cleaning and user maintenance shall not be made by children without supervision.
  - Check the voltage indicated on the rating label before using this product.
  - If the supply cord is damaged, it must be replaced by the manufacturer, its service agent or similarly qualified persons in order to avoid hazards.
  - Unplug this product from the power source before cleaning and maintenance.
  - Contact German Pool authorized service technician for repair or maintenance of this product.
- 
1. The input voltage for this product is 220V~50Hz. Make sure the rated voltage of this product is in accordance with the household supply voltage before connecting product to the power source.
  2. To prevent the possibility of electric shock or accidents, switch off this product and disconnect it from the power source before attaching/detaching/adjusting/cleaning its accessories.
  3. To prevent product malfunction, make sure the product is turned off and all accessories are fitted correctly before connecting to the power source.
  4. DO NOT fill to above the maximum level mark on the glass bowl. All parts that will come into contact with food are made of clean, hygienic, reliable and certified food-grade material.
  5. After food processing, make sure the motor and the blade unit have completely stopped turning and power has been disconnected.
  6. DO NOT operate this product unattended.
  7. DO NOT plug or unplug this product with wet hands to avoid electric shock.
  8. To avoid accidents or damaging this product, this product must be operated on a level worktop. DO NOT use on slanted or unsteady surfaces, woven materials (carpet, towel, etc.) or flammable materials (plastic, paper, etc.).
  9. To avoid fire hazard and for your personal safety, DO NOT use accessories or parts other than those supplied with this product.
  10. To avoid damages caused by short circuit or other reasons, unplug this product from the power source if it will not be used for a prolonged period of time.
  11. Handle blade, glass should be careful when cleaning.
  12. DO NOT touch parts or blade unit when this product is connected to the power source or when it is moving. The attachment can be removed when the product has a complete stop.
  13. The blade must be removed before emptying the residue of the glass bowl.
  14. DO NOT operate this product at no load. DO NOT connect the power or use this product before it has been properly installed.
  15. DO NOT overfill the glass bowl to beyond its rated capacity.

# Warnings & Safety Precautions

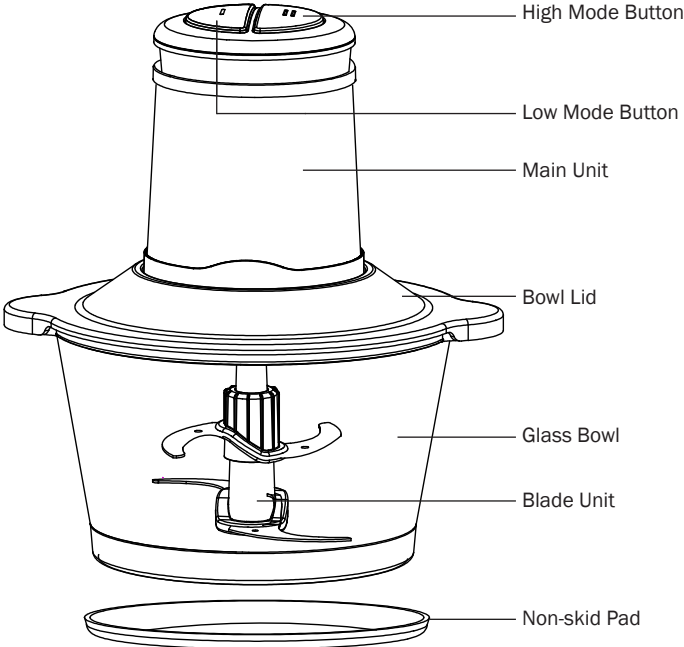
---

16. DO NOT use this product without the glass bowl lid.
17. When using this product, once the button is pressed the blades will turn. Please be careful.
18. Make sure to turn off the power and unplug from the power source before cleaning this product.
19. DO NOT immerse the main unit in water.
20. This product is equipped with overheat protection mechanism. When it is turned on too long and motor temperature rise exceeds the limit, the temperature control sensor will automatically disconnect. Motor will automatically return to normal operation once it is cooled down (approx. 30 minutes).
21. DO NOT leave this product unattended and DO NOT let children near this product while it is in use.
22. The metal shaft inside the glass bowl must be kept clean and free of food debris.
23. DO NOT sterilize this product's accessories with high heat.
24. Should this product show malfunction, contact German Pool Customer Service & Repair Centre. DO NOT disassemble product by yourself.
25. To avoid danger, if the power cord is damaged, it must be replaced by professionals from the manufacturer's maintenance department or similarly qualified technicians.
26. Be careful when taking out the blade unit, emptying out the glass bowl and when cleaning this product.

# Product Structure

---

## Main Body



# Operation Instruction

---

**Note:**

Remove the plastic blade protectors before using this product.

1. Place the non-skid pad on a level worktop, place the glass bowl on top, and place in the blade unit.
2. Place in food to be processed reference guide for preparing different kinds of food:

| Food      | Quantity | Preparation Before Chopping                               |
|-----------|----------|---|
| Meat      | 600g     | Remove bone, fat and cartilage, and cut into 1-2cm pieces |
| Vegetable | 100g     | Remove stem   |
| Nut       | 300g     | Remove shell  |
| Cheese    | 200g     | Cut into 1-2cm pieces                                     |
| Bread     | 150g     | Cut into 1-2cm pieces                                     |
| Egg       | 6pcs     | Fill to approx. 1/4 to 1/2 of glass bowl capacity         |
| Onion     | 400g     | Cut into 1-2cm pieces                                     |
| Biscuit   | 300g     | Crush into small pieces                                   |
| Fruit     | 600g     | Remove stem   |

3. Put on the bowl lid and fit on the main unit properly. Connect the power and press High Mode or Low Mode button (depending on the hardness of the food) to start food processing.

**Note:**

- When mincing meat, long-press button for 7-8 seconds then let go. Open the bowl lid and scrape the meat off the side and mix it to the bottom of the bowl, put on the lid and long-press button for another 7-8 seconds; repeat this process 2-3 times and the meat will be thoroughly minced.
  - It is recommended that food-processing time does not exceed 2 minutes each time.
  - Long-pressing mode button for several minutes may cause the motor to idle and trigger the automatic power-off protection mechanism.
4. After food is processed, remove the main unit, bowl lid and blade unit in order, then pour out the food.

# Cleaning and Maintenance

---

## **WARNING!**

- Unplug this product from the power source and allow it to cool down completely before cleaning and maintenance.
  - DO NOT immerse or rinse this product in water.
1. This product should be used frequently to let it maintain dry. If this product will not be used for an extended period of time, please store it in a dry and ventilated place to avoid the motor becoming humid.
  2. DO NOT rinse the main unit with water. Wipe it with a moistened soft cloth to keep it clean. The other accessories of this product can be washed with water and detergent.
  3. The metal shaft in the glass bowl must be cleaned thoroughly and kept free of food debris.

## Technical Specification

---

| Model               | BLD-M30                 |
|---------------------|-------------------------|
| Voltage / Frequency | 220-240 V~50/60 Hz      |
| Power               | 300 W                   |
| Motor Speed         | 28,000-32,000 RPM       |
| Capacity            | 1.8 L                   |
| Product Dimensions  | (H)240 (W)220 (D)170 mm |
| Net Weight          | 1.9 kg                  |

- Specification is subject to change without prior notice.
- If there is any inconsistency or ambiguity between the English version and the Chinese version, the Chinese version shall prevail.
- Refer to [www.germanpool.com](http://www.germanpool.com) for the most update version of the user manual.



# 目錄

---

警告及注意事項 10

產品結構 12

使用說明 13

清潔與保養 14

技術規格 14

保用條款 15

# 警告及注意事項

## ⚠ 警告！

使用本產品前，請仔細閱讀所有說明。

- 本產品只限家居室內日常使用，如產品作任何商業、工業、出租或其他用途，保用證即告失效。
  - 請勿讓兒童或身體有殘障、精神不健全及對本產品缺乏經驗或知識的人士單獨使用本產品；如需使用，必須要在負責任的成年人監管下方可使用。
  - 應照顧好兒童，確保他們不會玩耍本產品。
  - 無成年人監管下，勿讓兒童清潔及維護本產品。
  - 使用前，請先檢查所有電壓是否與本產品標籤上的電壓相符。
  - 如果電源線損壞，為免發生意外，電源線必須由廠方、廠方指定的維修中心或同等合格的技術人員進行更換。
  - 清潔或檢查本產品前，必須先關機及拔掉插頭。
  - 請聯繫德國寶授權的技術人員進行維修或保養本產品。
1. 本產品輸入電源為220V~50Hz，在將產品連接電源之前，請檢查是否與當地的電源電壓相符，高或低於此電壓會損壞元器件。
  2. 在拆、裝、調校或清洗本產品的任何部件之前，為防止漏電或意外發生，必須先關閉開關、斷開電源。
  3. 接通電源前，必須確保開關處於關閉狀態且可拆配件均安裝到位，以免產品工作時發生異常。
  4. 放入食材不可超過玻璃攪拌杯容量的最大刻度。與食材相接觸的部分材料均符合食品級認證，乾淨、衛生、可靠。
  5. 加工完畢後，必須待摩打和攪拌刀停止轉動，並確保斷開電源。
  6. 嚴禁在無人看管的情況下運行本產品。
  7. 嚴禁用濕手插拔電源插頭，避免引起觸電。
  8. 必須在水準檯面操作本產品，嚴禁在傾斜或不穩定的檯面或地毯、毛巾等織物、塑膠、紙等易燃物上操作本產品，以免發生意外或使產品受損。
  9. 嚴禁使用本產品以外的附件和配件，以免引起火災和人身安全。
  10. 較長時間不使用本產品時，為防止出現短路等造成損害，必須拔掉電源插頭。
  11. 在使用與清洗攪拌刀時，注意刀鋒以免傷手。
  12. 嚴禁在通電或轉動時，裝配電器或取攪拌刀。
  13. 使用後必須先取出玻璃攪拌杯中的攪拌刀再提取食物。
  14. 本產品嚴禁空載運轉，嚴禁未安裝完成通電使用。
  15. 放進玻璃攪拌杯內的食物嚴禁超過額定容量。
  16. 嚴禁在沒有放攪拌杯蓋的情況下使用本產品。
  17. 使用過程中，每次使用時只按一下開關使其轉動，只要按下開關產品即會轉動，請小心使用。
  18. 使用之後清洗前必須把電源關掉，插頭拔出。
  19. 主機嚴禁浸泡在水中。
  20. 本產品設有超溫保護裝置。當點按長時間貨載運轉至溫升超限時，溫控器自動斷開，摩打冷卻後（約30分鐘）自動回復正常工作。
  21. 使用本產品時嚴禁離開，嚴禁讓小孩接近本產品。

# 警告及注意事項

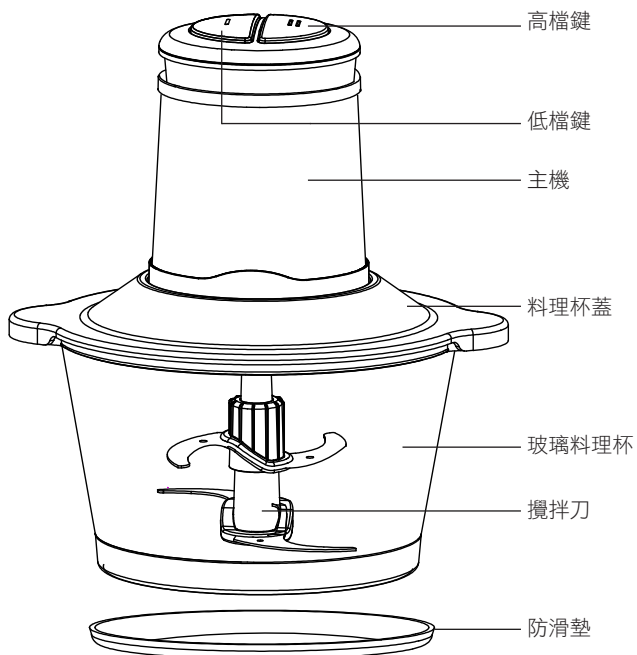
---

22. 玻璃攪拌杯中的攪拌軸要乾淨，不能有剩餘物。
23. 所有配件嚴禁高溫消毒。
24. 如本產品出現故障時，聯絡德國寶客戶服務及維修中心，嚴禁自行拆卸。
25. 如電源線損壞，為避免危險，必須由其製造廠或其維修部或類似的專職人員來更換。
26. 當取出攪拌刀、排空玻璃攪拌杯和清洗期間必須小心。

# 產品結構

---

## 主機



# 使用說明

## 注意：

使用本產品前，必須先取出用來保護攪拌刀的塑膠刀套。

1. 將防滑墊放在平坦的枱面，把玻璃料理杯放在防滑墊上，再裝上攪拌刀。
2. 按下表指示放入適當份量的食物。

| 食物  | 容量   | 放入前準備事項              |
|-----|------|----------------------|
| 肉類  | 600克 | 去掉骨頭、脂肪和軟骨，切成1-2厘米小塊 |
| 素菜類 | 100克 | 去掉莖                  |
| 果仁類 | 300克 | 去掉殼                  |
| 芝士  | 200克 | 切成1-2厘米小塊            |
| 面包  | 150克 | 切成1-2厘米小塊            |
| 雞蛋  | 6隻   | 約玻璃料理杯的1/2或1/4份量     |
| 洋蔥  | 400克 | 切成1-2厘米小塊            |
| 餅乾  | 300克 | 碎成小塊                 |
| 水果  | 600克 | 去掉莖                  |

3. 對準刀杆蓋上料理杯蓋及放上主機，接通電源後按「高檔鍵」或「低檔鍵」開始攪拌，可視乎需要及食物軟硬度選擇所需檔位。

## 注意：

- 絞肉時每次按壓7-8秒左右即可鬆開，然後打開料理杯蓋將黏在玻璃料理杯上的肉撥弄到底部，蓋上杯蓋再按7-8秒；反復操作兩三次即可變成把肉攪拌成肉泥。
- 建議單次使用時間最長不超過2分鐘。
- 如連續按著「開關鍵」數分鐘不鬆手，容易導致摩打空轉觸發自動斷電保護。

4. 使用完後，依次取下主機、料理杯蓋及攪拌刀，然後再提取食物。

# 清潔與保養

## ⚠ 警告！

- 清潔及保養本產品前，必須拔出電源插頭，並讓產品徹底冷卻。
  - 嚴禁將主機浸入水中或直接沖洗。
1. 本產品宜經常使用，以保持乾爽。如長期不使用，請將本產品存放在乾燥通風處，以免摩打受潮。
  2. 主機嚴禁用水沖洗，應用微濕軟布擦拭乾淨。其他部件可直接放入水中用洗滌劑沖洗。
  3. 玻璃攪拌杯中的攪拌軸必須清洗乾淨，去除任何可能堆積的剩餘物。

## 技術規格

| 型號      | BLD-M30                 |
|---------|-------------------------|
| 電壓 / 頻率 | 220-240 V~50/60 Hz      |
| 功率      | 300 W                   |
| 轉速      | 28,000-32,000 RPM       |
| 容量      | 1.8 L                   |
| 產品尺寸    | (H)240 (W)220 (D)170 mm |
| 淨重      | 1.9 kg                  |

- 產品規格及設計如有變更，恕不另行通知。
- 中英文版本如有出入，一概以中文版為準。
- 本產品使用說明書以[www.germanpool.com](http://www.germanpool.com)網上版為最新版本。

# 保用條款

此保用提供德國寶產品之機件在正常使用下壹年保用(自購買日起計算)。

# Warranty Terms & Conditions

Under normal operations, the product will guarantee a 1-year warranty provided by German Pool (effective from the date of purchase).

\* 貴戶須在購機十天內，以下列其中一種方式向本公司登記資料，保用手續方正式生效：

- 1) 填妥德國寶VIP手機應用程式保用登記表(掃描右方二維碼)
- 2) 填妥本公司網頁保用登記表  
[www.germanpool.com/warranty](http://www.germanpool.com/warranty)
- 3) 填妥保用卡郵寄至本公司。



\* This warranty is not valid until customer registration information is received by our Service Centre within 10 days of purchase via one of the following means:

- 1) Visit our VIP App and register online:  
(Scan the QR Code on the left)
- 2) Visit our website and register online:  
[www.germanpool.com/warranty](http://www.germanpool.com/warranty)
- 3) Complete the attached Warranty Card and mail it back to our Customer Service Centre.



另請填妥以下表格並與正本發票一併保存，以便維修時核對資料。用戶提供之所有資料必須正確無誤，否則免費保用將會無效。 Please fill out the form below. This information and the original purchase invoice will be required for any repairs. Warranty will be invalidated if information provided is found to be inaccurate.

型號 Model No. : BLD-M30

機身號碼 Serial No. : \_\_\_\_\_ 發票號碼 Invoice No. : \_\_\_\_\_

購買商號 Purchased From : \_\_\_\_\_ 購買日期 Purchase Date : \_\_\_\_\_

1. 未能出示購買發票正本者，將不獲免費維修服務。
2. 用戶應依照說明書的指示操作。本保用並不包括：
  - 上門安裝、檢驗、維修或更換零件之人工以及一切運輸費用；
  - 因天然與人為意外造成的損壞(包括運輸及其他)；
  - 電源接合不當、不依說明書而錯誤或疏忽使用本機所引致之損壞。
3. 於下列情況下，用戶之保用資格將被取消：
  - 購買發票有任何非認可之刪改；
  - 產品被用作商業或工業用途；
  - 產品經非認可之技術人員改裝或加裝任何配件；
  - 機身編號被擅自塗改、破壞或刪除。
4. 總代理有權選擇維修或更換配件或其損壞部份。
5. 產品一經被轉讓，其保用即被視作無效。

1. Customer who fails to present original purchase invoice will not be eligible for free warranty service.
2. Customer should always follow the operating instructions. This warranty does not apply to:
  - labour costs for on-site installation, check-up, repair, replacement of parts and other transportation costs;
  - damages caused by accidents of any kind (including material transfer and others);
  - operating failures resulting from applying incorrect voltage, improper usage, and unauthorized installations or repairs.
3. This warranty is invalid if:
  - the purchase invoice is modified by an unauthorized party;
  - the product is used for any commercial or industrial purposes;
  - the product is repaired or modified by unauthorized personnel, or unauthorized parts are installed;
  - the serial number is modified, damaged or removed from the product.
4. German Pool will, at its discretion, repair or replace any defective part.
5. This warranty will be void if there is any transfer of ownership from the original purchaser.

## 客戶服務及維修中心

香港

九龍大業街59號

三湘九龍灣貨運中心地下B室

電話：+852 2333 6249

傳真：+852 2356 9798

電郵：repairs@germanpool.com

澳門

澳門青洲大馬路(青洲新路)

515號美居廣場第二期1樓A座

電話：+852 2875 2699

傳真：+852 2875 2661

## Customer Service & Repair Centre

Hong Kong

Unit B, G/F, Sunshine Kowloon Bay

Cargo Centre, 59 Tai Yip Street, Kowloon

Kowloon, Hong Kong

Tel : +852 2333 6249

Fax : +852 2356 9798

Email : repairs@germanpool.com

Macau

A, 1 Andar, Mei Kui Kuong Cheong Fase 2,

No.515 Avenida Do Conselheiro Borja

Macau

Tel : +853 2875 2699

Fax : +853 2875 2661

此保用只適用於香港及澳門

This warranty is valid only in Hong Kong and Macau

## German Pool (Hong Kong) Limited

### Hong Kong

Room 113, Newport Centre Phase II, 116 Ma Tau  
Kok Road, Tokwawan, Kowloon, Hong Kong.  
Tel: +852 2773 2888  
Fax: +852 2765 8215

### China

8th, Xinxiang Road, Wusha Industrial Park,  
Daliang, Shunde, Foshan, Guangdong  
Tel: +86 757 2219 6888  
Fax: +86 757 2219 6809

### Macau

A, 1 Andar, Mei Kui Kuong Cheong Fase 2,  
No.515 Avenida Do Conselheiro Borja, Macau  
Tel: +853 2875 2699  
Fax: +853 2875 2661



香港《S MARK》  
安全認證



中國標榜/家電行業  
十大影響力品牌



CEO非凡品牌大賞



香港優質商標



香港工商業獎



2007  
最具潛質  
創星品牌企業獎



香港中小企業  
最佳拍檔大獎



香港消費者推賞品牌



香港《心嚮》  
優質服務證書



香港名牌十年成就獎  
HONG KONG TOP BRAND TEN YEAR  
ACHIEVEMENT AWARD

© All rights reserved. Copying, reproducing or using the contents of this manual is not allowed without prior authorization from German Pool, violators will be prosecuted.