

WiFi Smart Chimney Type Range Hood

DCR-7508-SC
DCR-8508-SC



Online Warranty Registration



Please read these instructions and warranty information carefully before use and keep them handy for future reference.

USER MANUAL

Content

Warnings & Safety Precautions 03

Product Structure 06

Installation Instructions 07

Operation Instructions 11

Care & Maintenance 20

Troubleshooting 21

Recycling & Disposal 21

Technical Specification 22

Warranty Terms & Conditions 43

Warnings & Safety Precautions

WARNING!

Read all instructions carefully before using this product.

- This product is for domestic indoor use only. If this product is used for any commercial, industrial, rental or other purposes, product warranty will be VOIDED.
- This product is not intended for use by children or persons with reduced physical, sensory or mental capabilities, or lack of experience and knowledge, unless they have been given supervision or instruction concerning use of this product by an adult responsible for their safety.
- Mind your children and DO NOT let children play with this product.
- Cleaning and user maintenance shall not be made by children without supervision.
- Check the voltage indicated on the rating label before using this product.
- If the supply cord is damaged, it must be replaced by the manufacturer, its service agent or similarly qualified persons in order to avoid hazards.
- Unplug this product from the power source before cleaning and maintenance.
- Contact German Pool authorized service technician for repair or maintenance of this product.

For safety purpose, you should read the instructions carefully before using the appliance for the first time. Save the instructions for future reference. The appliance is designed for domestic use and may only be installed and operated in accordance with these instructions for use.

WARNING!

- All installation work must be carried out by a competent person or qualified electrician.
 - This appliance must be installed correctly by a suitably qualified person, strictly following the User Manual.
-
- This appliance complies with all current European safety legislation, however, the Manufacturer must emphasise that this compliance does not prevent the surfaces of the appliance from heating up during use and remaining hot during its operation.
 - Accessible parts may become hot during use. Young children should be kept away. Care should be taken to avoid touching the appliance.
 - Highly recommends that this appliance be kept out of the reach of babies and young children.
 - This appliance can be used by children aged from 8 years and above and persons with reduced physical, sensory or mental capabilities or lack of experience and knowledge if they have been given supervision or instruction concerning use of the appliance in a safe way and understand the hazards involved. Children shall not play with the appliance. Cleaning and user maintenance shall not be made by children unless they are older than 8 and supervised.
 - Keep the appliance and its cord out of reach of children less than 8 years.
 - Regularly check the power plug and power cord for damage. If the supply cord is damaged, it must be replaced by the manufacturer, its service agent or similarly qualified persons in order to avoid a danger or injury.
 - Do not allow the electric cables to touch the hot parts of the appliance.
 - Make sure that the power cord is not caught under or in the appliance and avoid damage to the power cable.

Warnings & Safety Precautions

- Do not install the appliance outdoors in a damp place or in an area which may be prone to water leaks such as under or near a sink unit. In the event of a water leak, allow the machine to dry naturally.

WARNING!

- Failure to install the screws or fix device in accordance with these instructions may result in electrical hazards.
 - When the range hood and appliances supplied with energy other than electricity are simultaneously in operation, the negative pressure in the room must not exceed 4 Pa.
-
- Please dispose of the packing material carefully.
 - Do not use flammable sprays in close vicinity to the appliance.
 - We recommend that great care be taken during use and cleaning. Read the cleaning and maintenance sections for this appliance carefully.
 - A steam cleaner is not to be used.
 - The appliance is not intended to be operated by means of external timer or separated remote-control system.
 - The appliance is for domestic use only.

Warnings & Safety Precautions

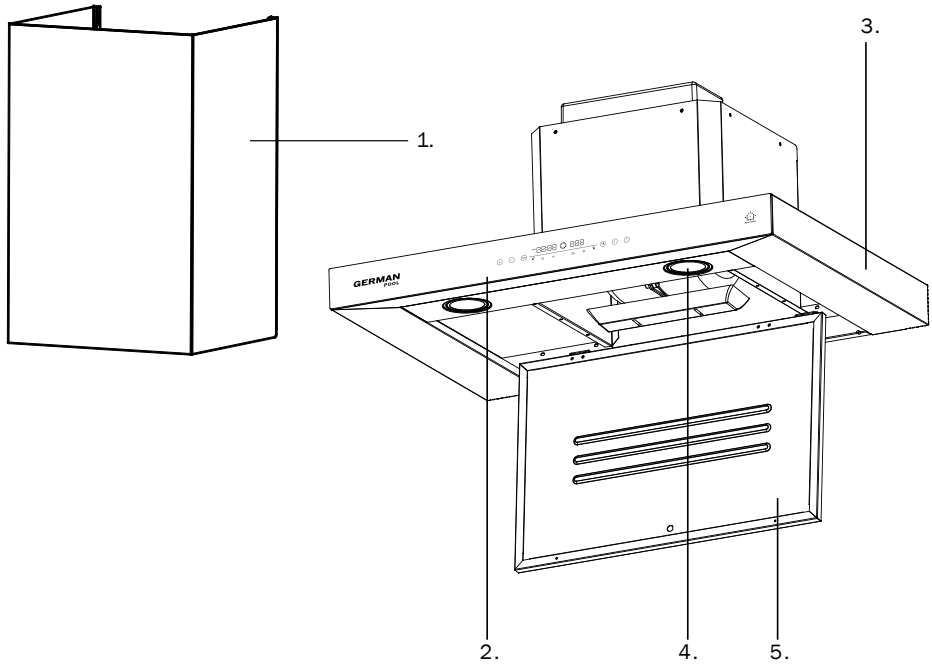
WARNING!

- Consult local regulations regarding fumes outlets. Do not connect the hood to a fume, ventilation or hot air duct. Confirm that room ventilation is appropriate with the local authorities. Make sure the maximum air extraction flow rate for the appliances in the room does not exceed 4 Pa. The room must have adequate ventilation if an extractor hood is used simultaneously with appliances that run on gas or other fuels. The air must not be discharged into a flue that is used for exhausting fumes from appliances burning gas or other fuels. Regulations regarding air extraction must be complied with.
 - Before connecting the hood: switch off the electricity supply and check that the supplied voltage and frequency coincide with that indicated on the appliance nameplate.
 - The hood may stop working during an electrostatic discharge (e.g. Lightning). This involves no risk of damage. Switch off the electricity supply to the hood and reconnect after one minute.
-
- To avoid the risk of fire, clean the metal filter regularly and closely watch and regulate pans containing hot oil.
 - Do not use the hood if it shows signs of damage or imperfection. Contact Customer Service & Repair Centre.
 - Flambe cooking must not be carried out underneath this appliance.
 - When installing the appliance, make sure that the following distances between the top of cooker or hob and the lowest part of the hood must be observed: Gas Hobs 750mm; Electric hobs 650mm.
 - The manufacturer declines all liability for personal or material damage as a result of misuse or incorrect installation of this appliance.
 - Regarding the information pertaining to installation, please refer to the "Installation Instruction" of the Manual.
 - Please wear safety gloves for installation, cleaning, light bulb changing and dismantling in order to prevent injuries.

WARNING!

There is a risk of electric shock and fire if cleaning is not carried out in accordance with the instructions.

Product Structure



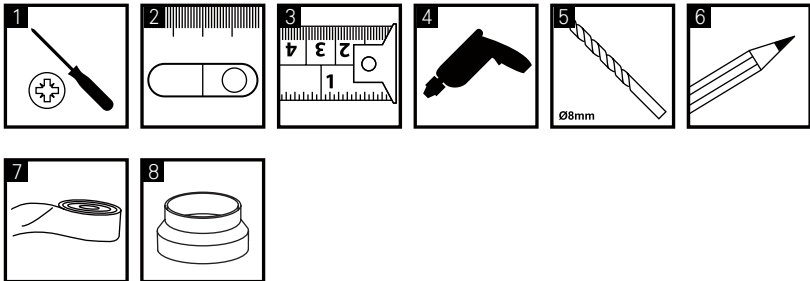
1. Motor cover
2. Control panel
3. Body
4. LED light
5. Rectification plate (oil collector inside)

Installation Instructions

Things to check before installation

- To avoid potential hazards, it is important to properly install this range hood and read the safety instructions carefully to avoid misuse and danger. We recommend that you keep this instruction manual for future reference and pass it to any future owners.
- Check the package and make sure you have all of the parts listed.
- After unpacking the range hood, check that the range hood is intact. When in doubt, do not use the device.
- If this product contains glass, please take care with fitting or handing to prevent personal injury or damage to the product.
- Decide on the appropriate installation location for your product.
- Make sure the voltage indicated on the rating label matches your household voltage.
- If you sell the appliance, give it away, or leave it behind when you move house, make sure you also pass this manual to the new owner, so that the new owner can become familiar with the appliance and its safety warnings.

Installation Tools



1. Phillips Screwdriver
2. Spirit Level
3. Pull Ruler
4. Electric Drill
5. Drill bit (Ø8mm)
6. Pencil
7. Aluminium Tape
8. Adapter (Ø150mm to Ø120mm)

Installation Instructions

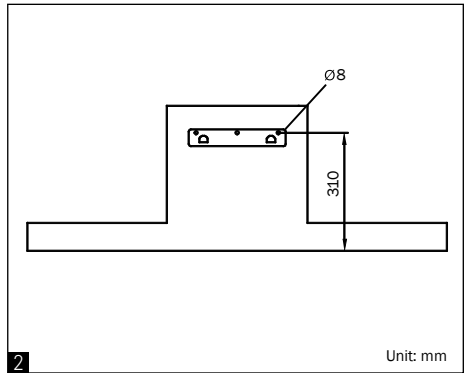
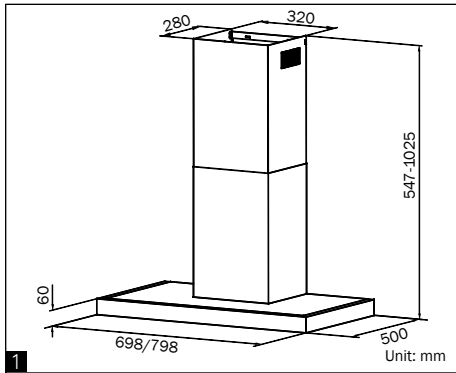
WARNING!

- Type of installation: Ducted option only.
- Failure to install the screws or fixing device in accordance with the instructions below may result in electrical hazards.

Installation Steps

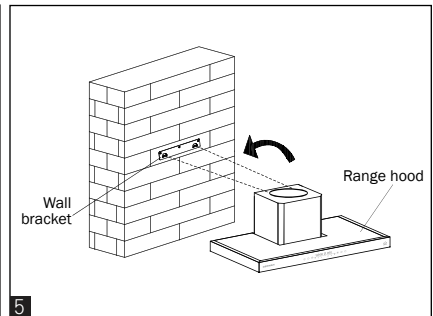
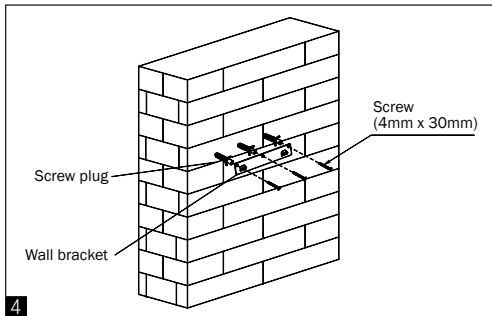
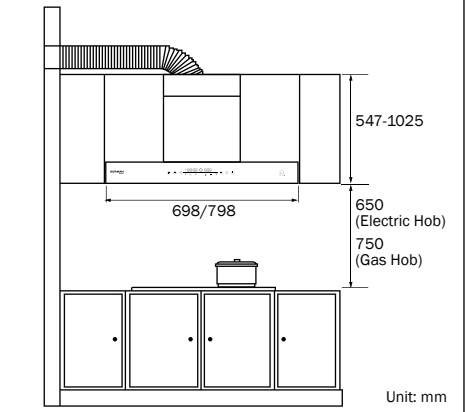
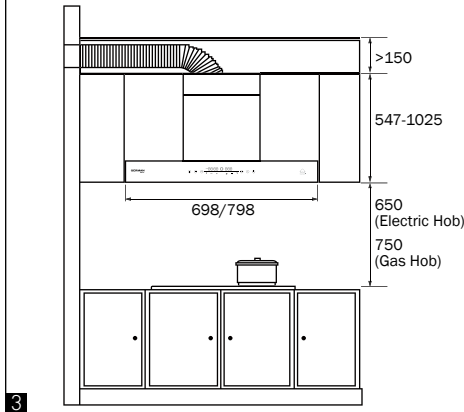
1. Distance between the top of cooker or hob and the lowest part of the hood must be observed: gas hobs 750mm, electric hobs 650mm (pic 3).
2. Mark on the wall the hole positions for the wall bracket. Drill three holes of $\Phi 8\text{mm}$ x 30mm deep according to the marked positions. Screw and tighten the wall bracket onto the wall with the $\Phi 4\text{mm}$ x 30mm screws and screw plugs provided (pic 4).
3. Hang the range hood onto the wall bracket (pic 5).
4. Install the Ducting Tube onto the range hood with tape or clamp. Make use of the $\Phi 150\text{mm}$ to $\Phi 120\text{mm}$ adapter if needed (pic 6).
5. Adjust the chimneys to the height you need, and hook on the chimney retainer (pic 7).
6. Mark on the wall the hole positions for the chimney plate. Drill two holes of $\Phi 8\text{mm}$ x 30mm deep according to the marked positions. Screw and tighten the chimney plate onto the wall with the $\Phi 4\text{mm}$ x 30mm screws and screw plugs provided. Assemble the chimney onto the chimney plate and secure it with two $\Phi 4\text{mm}$ x 8mm screws (pic 8).
7. Open the rectification plate and install the oil cup (fig 9).
8. Remove all protective films after installation (pic 10).

Installation Instructions

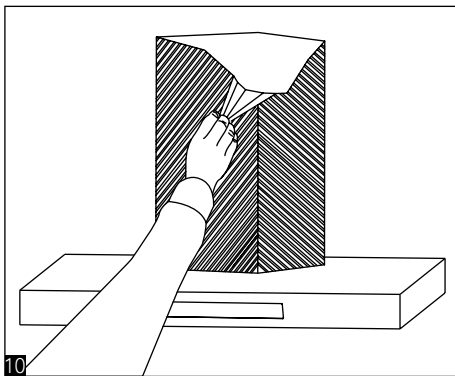
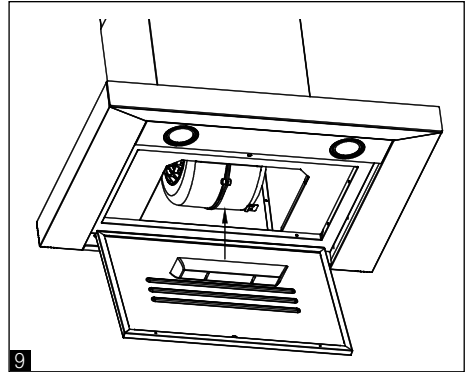
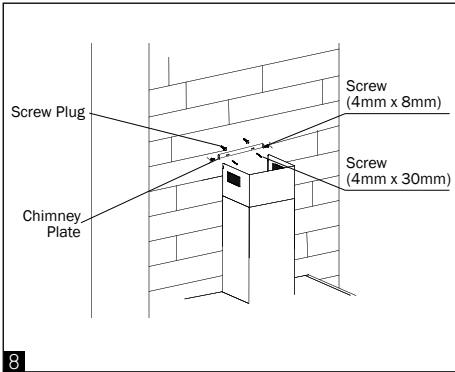
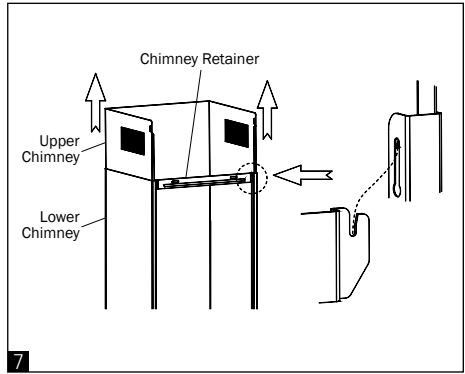
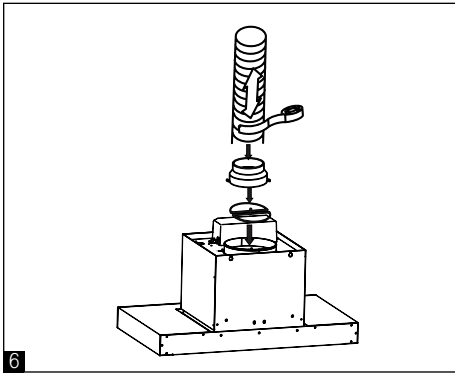


The ducting tube is **concealed** in the cabinet.

The ducting tube is **not concealed** in the cabinet.



Installation Instructions



Operation Instructions

Before use

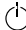
Switch on the product at the switched fused connection unit. The product is ready for use.


Control Panel



Icon	Key/Indicator Light	Description
	Increase Key	Tap to move up one gear; tap and hold this key for rapid continuous increase of gear level
	Decrease Key	Tap to move down one gear; tap and hold this key for rapid continuous decrease of gear level
	Turbo Key	<ul style="list-style-type: none"> Tap to enter Turbo Boost Mode, mode will countdown for 10 minutes When countdown hits zero, product will automatically return to the gear previous to entering Turbo Boost Mode Tapping key again before the countdown hits zero will cancel Turbo Boost Mode
	LED Lamp Key	<ul style="list-style-type: none"> Tap to turn the LED lamp on or off Tap and hold for 3 seconds to activate Self-Cleaning Function; tap and hold for 3 seconds again to turn off Self-Cleaning Function
	Timer Key	<ul style="list-style-type: none"> Tap to start 1m30s timer countdown. When countdown hits zero, product will automatically turn off (returns to standby state) Tapping key again before the countdown hits zero will cancel Timer
	On/Off Key	<ul style="list-style-type: none"> In standby state, tap to turn on product When the product is operating, tap to turn off product (returns to standby state)
	RPM Display	<ul style="list-style-type: none"> This display shows the working RPM When timer countdown is activated, display will show time left in countdown
	Gear Display	<ul style="list-style-type: none"> This display shows the current gear level In Turbo Boost Mode, display will show "P"
	Gesture Control Indicator	To control product with Gesture Control, wave from a distance of 8-15cm in front of the control panel. When waving, the gesture range needs to cover the entire control panel
	Turbo Indicator Light	<ul style="list-style-type: none"> Lights up constant when Turbo Boost Mode is off Blinks when Turbo Boost Mode is activated
	Wi-Fi Indicator Light	<ul style="list-style-type: none"> Blinks when product is pairing with Wi-Fi Lights up constant when product is successfully connected to Wi-Fi
	Self-Cleaning Indicator Light	Lights up constant when Self-Cleaning Function is activated
	LED Lamp Indicator Light	Lights up constant when LED Lamp is turned on
	Operating Indicator	Lights up and spins when the product is operating


Operation Instructions

When power is connected for the first time, all the lights will turn on for 1 second then go dark, buzzer beeps once, On/Off Key  will go dim, product enters standby state.

In standby state, tap On/Off Key  once, all touch keys will light up, RPM Display will show “0000”, Gear Display will show “F0”, Gesture Control Indicator and WiFi Indicator will light up constant. If the product does not receive any command in 1 minute, it will automatically return to standby state.

Gesture Control

Note:

In standby state, tap and hold On/Off Key  for 5 seconds to activate or deactivate Gesture Control Function (Gesture Control Function is set to activated by factory default)

Wave from left to right:

Wave 1 time: Turns on the product; product will operate at gear level F12 by default, LED Lamp will turn on, Operating Indicator will spin.

Wave 2 times: Product shifts to gear level F18.

Wave 3 times: Product shifts to gear level F24.

Wave 4 times: Product shifts to gear level F0, motor turns off.

Wave 5 times: Product shifts to gear level F1.



Wave 6 times: Product shifts to gear level F6.

Wave 7 times: Product shifts to gear level F12 again, and cycle renews again.




Wave from right to left:

Product directly returns to standby state, motor and LED Light turn off.

Self-Cleaning Function

- In standby state, tap and hold LED Lamp Key  for 3 seconds to activate Self-Cleaning Function, Self-Cleaning Indicator Light blinks, product enters 9-min countdown. For the first 8 minutes, the electric heater will heat up to melt the grease; in the last 1 minute, the motor will run to dissipate the melted grease, after which the product will return to standby state.
- To turn off Self-Cleaning Function midway, tap and hold Lamp Key  for 3 seconds.

WiFi Function

- Connecting WiFi: In standby state, long-press Turbo Key  for 5 seconds to connect WiFi, all control keys blinks; when WiFi is successfully connected, WiFi Indicator Light  lights up constant.
- Disconnecting WiFi: When WiFi is connected, long-press Turbo Key  for 5 seconds to disconnect WiFi, all control keys blinks for 2 minutes, then goes dark.
- For detailed instructions regarding WiFi connection and using the smartphone App, please refer to “Controlling The Product With The APP” section.

Operation Instructions

Connecting The Product To WiFi

This product can be controlled via smartphone with German Pool Smart Control APP.

Note:

To connect the product to WiFi, please use WiFi with a frequency of 2.4 GHz, does not work with WiFi with a frequency of 5.0 GHz.

A. How To Set Up The APP

1. Connect your phone to 2.4 GHz WiFi then scan the QR Code below, or search "German Pool Smart Control" in App Store or Google Play to download and install the APP.



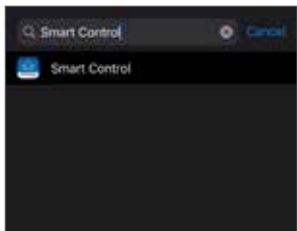
Apple iOS System
App Store



Android System
Google Play

B. Change The Language

Apple IOS System



1. Search "Smart Control" in Settings.



2. Click "Preferred Language".



3. Select Traditional Chinese or English in the "Suggested Language" column (Note: if user select "Traditional Chinese (Hong Kong)", app will display in English).

Android System

App will appear in your preset phone language. If you need to change APP language, you need to change the system language in your phone settings.

Operation Instructions

C. Register Your Account

Apple IOS System



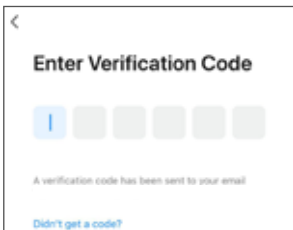
1. Open the APP , click “Agree” on “User Agreement and Privacy Policy”.



2. Click “Sign Up” to register your account.



3. Enter your email address, tick “I agree Privacy Policy and User Agreement”, then click “Get Verification Code”.



4. Enter one-time verification code from your email.

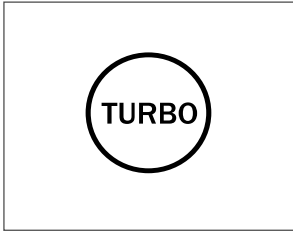


5. Set up your password then click “Done”.

Operation Instructions

D. Pairing Sequence

Method 1: Auto Pairing



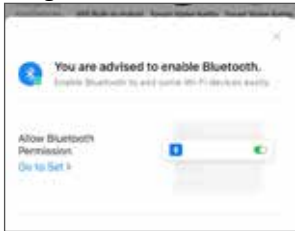
1. When product in standby state, long-press the product's Turbo Key for 5 seconds until buzzer beeps 1 time and WiFi Indicator Light blinks.



2. Click "+" on the upper right corner of the APP homepage, then click "Add Device".



3. Before pairing, user must allow the App to access your Bluetooth. Tap on "Turn on Bluetooth" (if Bluetooth is already on, ignore this step).



4. Tap "Go To Set" (if Bluetooth is already on, ignore this step).



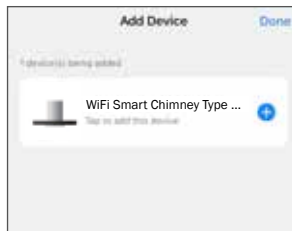
5. Turn on Bluetooth (if Bluetooth is already on, ignore this step).



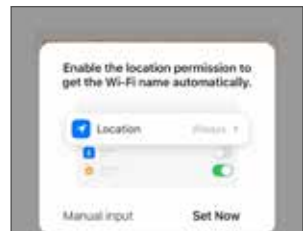
6. APP will show "Searching for nearby devices...".



7. APP will show "Discovering devices...", click "Add".

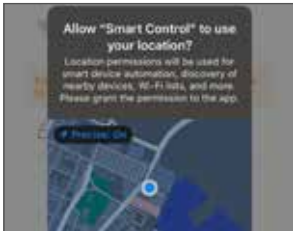


8. Click "+" on the right of product name.



9. it is recommended to allow the APP to access your location. Tap "Set Now" (if Location is already on, ignore this step).

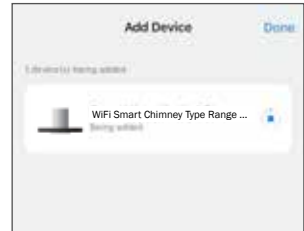
Operation Instructions



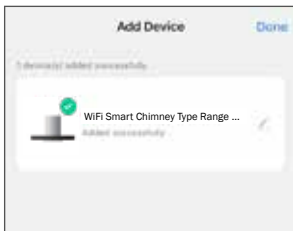
10. Tap “Allow While Using App” (if Location is already on, ignore this step).



11. Select WiFi name and enter your WiFi password, then click “Next”.



12. APP will show “Being Added”, the product and APP will automatically pair up.



13. When pairing is completed, APP will show “Added successfully”. Click “Done” to return to homepage.

⚠ WARNING!

If Bluetooth is turned off or App is not permitted to access Bluetooth, the product cannot be paired. (Note: Even if Bluetooth is turned on, it does not mean the APP is allowed to access your Bluetooth.)

Note:

- The product can only be paired to one account at a time. If another user pairs their smartphone to the product, the previous account will lose their control of the product.
- User who has already been paired can share their control rights with other users. For details, see “E. Sharing Control”.

Note:

If APP cannot find the product, or during Pairing Sequence, if APP shows an exclamation mark icon, it means pairing is unsuccessful. Please use method 2 below for pairing.

Operation Instructions

Method 2: Bluetooth Pairing



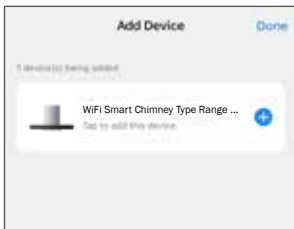
1. Click “+” on the upper right corner of the APP homepage, then click “Add Device”.



2. In the “Add Manually “ column, find the product model that needs to be paired, and click the product to pair.



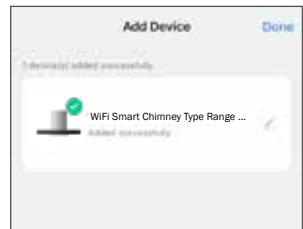
3. Follow the instructions on the APP to pair.



4. Click “+” on the right of product name.



5. Select WiFi name and enter your WiFi password, then click “Next”.



6. When pairing is completed, APP will show “Added successfully”. Click “Done” to return to homepage.


⚠ WARNING!

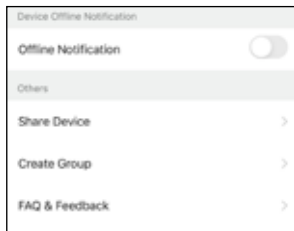
If Bluetooth is turned off or App is not permitted to access Bluetooth, the product cannot be paired. (Note: Even if Bluetooth is turned on, it does not mean the APP is allowed to access your Bluetooth.)

Operation Instructions

E. Sharing Control



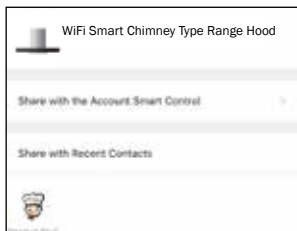
1. On the product's homepage, click “” on the upper right corner.



2. Click “Share Device” under “Others”.



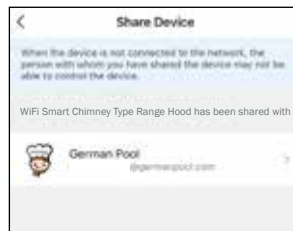
3. Click “Add Sharing”.



4. Set the number of users with whom you wish to share control, then click “Share with the Account Smart Control”.



5. Enter that account's registered email address, then click “Done” on the upper right corner.



6. Repeat step 3-5 to share with more accounts.






Note:

On the “Share Device” page, you can add or delete other accounts' control rights.

Operation Instructions

Controlling The Product With The APP



Key		Description
	On/Off	<ul style="list-style-type: none"> In standby state, tap to turn on product When the product is operating, tap to turn off product (returns to standby state)
	LED Lamp	Tap to turn the LED lamp on or off
	Fan Speed	Tap to select gear level F1-F24
	Turbo	<ul style="list-style-type: none"> Tap to enter Turbo Boost Mode, mode will countdown for 10 minutes When countdown hits zero, product will automatically return to the gear previous to entering Turbo Boost Mode Tapping key again before the countdown hits zero will cancel Turbo Boost Mode
	Self-Cleaning	In standby state, tap to activate or turn off Self-Cleaning Function

Care & Maintenance

Daily Cleaning

In order to prevent the oil cup from overflowing, it is recommended to clean the oil cup at least once a week; if the product is used frequently, the cleaning frequency of the oil cup should be increased.

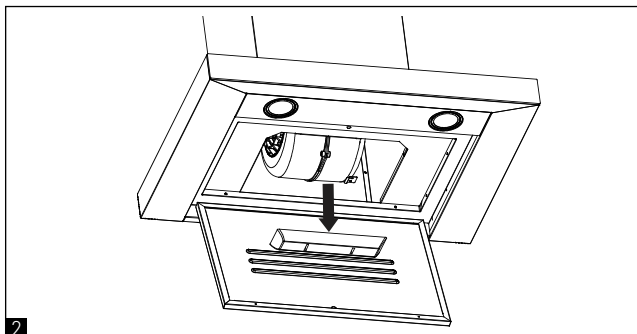
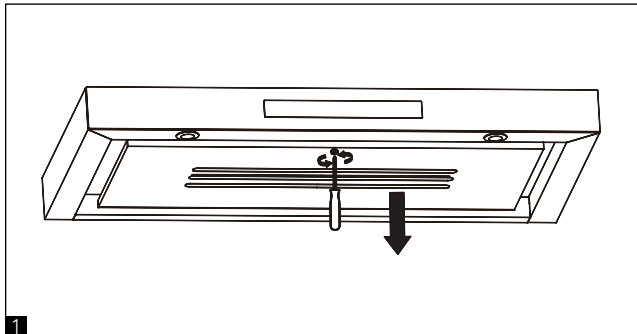
Cleaning The Oil Cup

To avoid fire, please clean the oil cup thoroughly every month or after using the self-cleaning function. To do this, remove the oil cup and soak it in hot water and detergent for an hour. If using a dishwasher, do not exceed 65°C.

1. After loosening the screw counterclockwise by philips screwdriver, pull down the rectification plate (pic. 1).
2. Pull the oil cup slightly outwards and remove the oil cup (pic. 2).

⚠ WARNING!

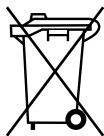
Increase the oil cup cleaning frequency if the hood is used for more than 2 hours a day. Always use genuine parts from the manufacturer.



Troubleshooting

Problem	Possible Cause	Solution
Excessive vibration	The appliance is not installed properly on the bracket	Take down the appliance and check it is properly fixed
	The fan blade is damaged	Switch off the appliance. Contact Customer Service & Repair Centre
	The fan motor is not fixed tightly	
Light on but motor does not work	The fan blade is jammed	Switch off the appliance. Contact Customer Service & Repair Centre
	The motor is damaged	
Both light and motor do not work	Light bulb blown	Check power supply
	Power connection loose	
Suction performance reduced	Speed may be too low	Select a higher speed
	Distance between the cooker hood and the hob is too great	Readjust the distance to: Gas hobs: 750mm Electric hobs: 650mm
	Top vent might be obstructed	Clear any obstruction
	Vent duct might be twisted	Ensure that the vent duct is fitted to the manufacturer instructions

Recycling & Disposal



Waste electrical products not be disposed of with household waste. Please recycle where facilities exist. Check with your Local Authority or retailer for recycling advice.

The symbol on the product or its packaging indicates that this product should be handed over to an electric and electronic equipment collection point for recycling.

On ensuring that this product is disposed of correctly, you will help to avoid possible negative consequences for the environment and public health, which could occur if this product is not handled correctly. To receive more detailed information about recycling this product, contact your local government, domestic waste disposal services or the outlet where the product was bought.

Technical Specification

Model	DCR-7508-SC	DCR-8508S-DC
Voltage / Frequency	220 - 240 V ~50 Hz	220 - 240 V ~50 Hz
Power (Max)	253 W	253 W
Lighting	1.5W*2	1.5W*2
Motor Speed	Max. 2,820 RPM	Max. 2,820 RPM
Exhaust Flow	1,020 m ³ /h	1,020 m ³ /h
Product Dimensions (With motor, not including motor cover)	(H) 326 mm (W) 698 mm (D) 500 mm	(H) 326 mm (W) 798 mm (D) 500 mm
Net Weight	14.8 kg	16 kg

Specifications are subject to change without prior notice.

If there is any inconsistency or ambiguity between the English version and the Chinese version, the Chinese version shall prevail.

Refer to www.germanpool.com for the most up-to-date version of the User Manual.

目錄

警告及注意事項 24

產品結構 26

安裝說明 27

使用說明 31

清潔與維護 40

故障檢修 41

回收和處理 41

技術規格 42

保用條款 43

警告及注意事項

⚠ 警告！

使用本產品前，請仔細閱讀所有說明。

- 本產品只限家居室內日常使用，如產品作任何商業、工業、出租或其他用途，保用證即告失效。
- 請勿讓兒童或身體有殘障、精神不健全及對本產品缺乏經驗或知識的人士單獨使用本產品；如需使用，必須要在負責任的成年人監管下方可使用。
- 應照顧好兒童，確保他們不會玩耍本產品。
- 無成年人監管下，勿讓兒童清潔及維護本產品。
- 使用前，請先檢查所有電壓是否與本產品標籤上的電壓相符。
- 如果電源線損壞，為免發生意外，電源線必須由廠方、廠方指定的維修中心或同等合格的技術人員進行更換。
- 清潔或檢查本產品前，必須先關機及拔掉插頭。
- 請聯繫德國寶授權的技術人員進行維修或保養本產品。

為安全起見，初次使用產品前請先細說本說明書，並保存說明書，以便作參考之用。本產品只供家居使用。請必須依照本說明書內的指示安裝及操作。

⚠ 警告！

- 所有安裝工作必須由合格人員或合格的電工來執行。
- 必須嚴格按照製造商的說明，由具有適當資格的人員正確安裝本設備。
- 本設備符合所有當前的安全規例，但製造商必須強調，此合規性不能防止設備表面在使用過程中發熱並在運行過程中保持高溫。
- 在使用過程中，易觸及部件可能會變熱，幼兒應遠離，並應小心避免觸摸設備。
- 製造商強烈建議將本設備放在嬰兒和小孩接觸不到的地方。
- 如果對本產品進行安全監督或指導並瞭解其危害，則可以由8歲以上的兒童以及肢體、感覺或精神能力較弱或缺乏經驗和知識的人員使用本產品。兒童不得玩耍本產品，除非8歲以上的兒童並在有成人監督的情況下，否則兒童不得進行清潔和維護。
- 請將本產品及其電源線放在8歲以下兒童觸摸不到的地方。
- 定期檢查電源插頭和電源線是否損壞。如果電源線損壞，則必須由製造商、其服務代理商或具有類似資格的人員進行更換，以免發生危險或傷害。
- 請勿使電源線接觸設備的高溫部件。
- 確保電源線沒有被夾在設備下面或內部，並避免損壞電源電纜。
- 請勿將本設備安裝在潮濕的地方或容易漏水的地方，例如水槽下方或附近。萬一漏水，請讓機器自然乾燥。

警告及注意事項

⚠ 警告！

- 未按照這些說明安裝螺絲或固定裝置可能會導致電氣危險。
- 同時運行抽油煙機和帶電的設備時，房間內的負壓不得超過4Pa。
- 請妥善處理包裝材料。
- 請勿在設備附近使用易燃噴霧劑。
- 建議在使用和清潔過程中要格外小心。仔細閱讀本設備的清潔和保養部分。
- 請勿使用蒸氣清潔器。
- 本設備不能通過外部計時器或單獨的遠端控制系統進行操作。
- 本設備僅供家庭使用。

⚠ 警告！

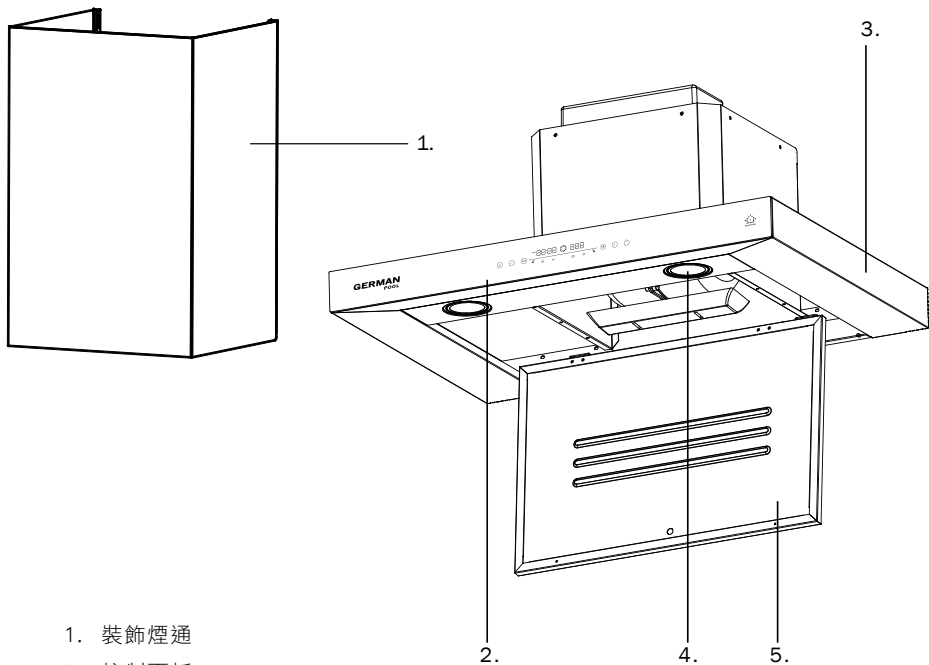
- 有關煙氣出口的資訊，請參閱當地法例。請勿將通風櫃連接至通風或熱風管道。請與地方當局確認房間通風是否適當，並確保房間中設備的最大抽氣流量不超過4 Pa。如果將抽油煙機與以天然氣或其他燃料運行的器具同時使用，則房間必須有足夠的通風，不得將空氣排放到用於排出燃燒氣體或其他燃料的煙道中。必須遵守有關抽氣的規定。
- 連接抽油煙機之前，請關閉電源，並檢查提供的電壓和頻率是否與設備銘牌上指示的電壓和頻率一致。
- 在靜電釋放（例如閃電）期間，通風櫃可能會停止工作。此安全無損壞風險。請關閉抽油煙機的電源，一分鐘後重新連接。

- 為避免火災危險，請定期清潔金屬過濾網，並密切觀察和調節盛有熱油的鍋具。
- 如果抽油煙機有損壞或瑕疵，請不要使用，並聯絡客戶服務中心。
- 禁止在本設備下方進行火焰狀烹飪。
- 安裝設備時，請確保遵守以下規定，爐具頂部與抽油煙機底部之間的距離為：燃氣爐：750mm；電爐：650mm。
- 對於因誤用或錯誤安裝本設備而造成的人身或財產損失，製造商不承擔任何責任。
- 關於安裝方面的資訊，請參閱本手冊的以下段落。
- 安裝、清潔、更換燈泡及拆除抽油煙機時請戴上安全手套，以免受傷。

⚠ 警告！

- 如果不按照指示進行清潔，則有觸電和火災的危險。

產品結構



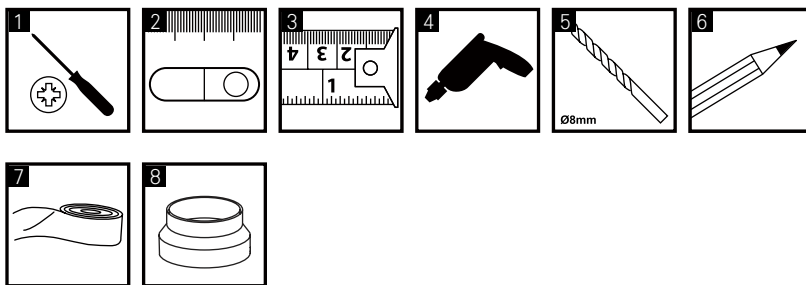
1. 裝飾煙通
2. 控制面板
3. 機身
4. LED照明燈
5. 整流板（內附集油杯）

安裝說明

安裝前注意事項

- 為避免在使用時存在危險，請務必正確安裝此抽油煙機，並仔細閱讀安全說明，以避免誤操作和危險，請保留此說明書以備將來參考，並將其傳遞給任何使用者。
- 檢查包裝，並確保列出了所有零件。
- 打開抽油煙機包裝後，請檢查抽油煙機是否完好無損。如有疑問，請勿使用該設備。
- 如果本產品包含玻璃，請小心安裝或搬運，以免造成人身傷害或產品損壞。
- 請確定適合安裝產品的位置。
- 確認產品銘牌上的電壓規格與你的家居電壓相符。
- 如果您出售、送贈或丟棄本設備，請確保將本說明書交到新使用者，以便熟悉本設備及其安全警告。

安裝工具



1. 十字螺絲批
2. 水平尺
3. 拉尺
4. 電鑽
5. 電鑽頭 (Ø8mm)
6. 鉛筆
7. 絕緣膠帶
8. 轉接器 (Ø150mm轉Ø120mm)

安裝說明

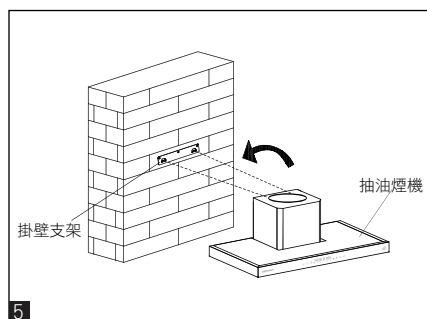
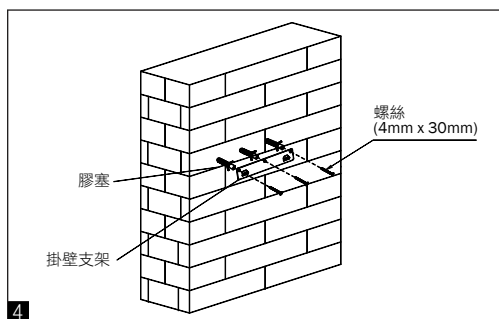
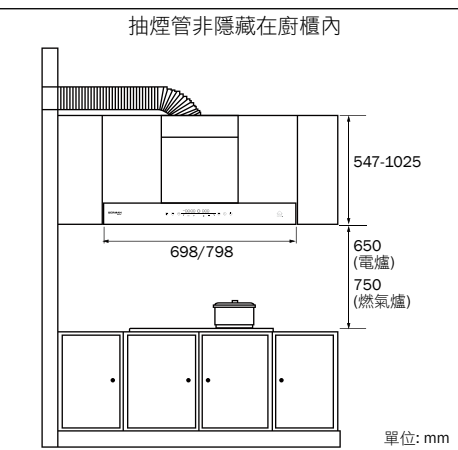
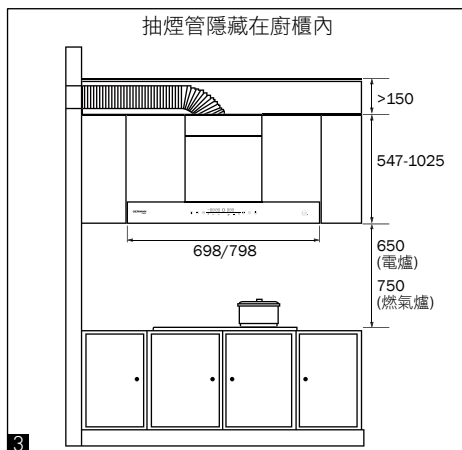
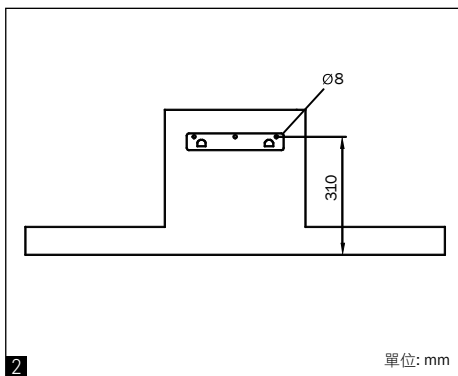
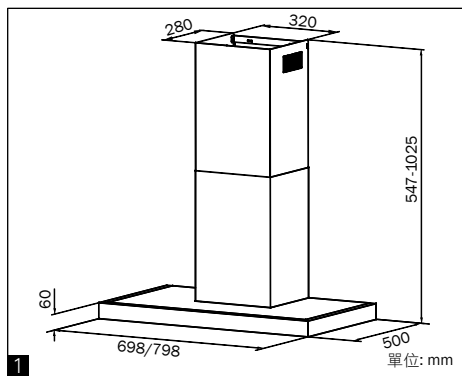
⚠ 警告！

- 只能選擇外排出風方式。
- 不按照這些說明安裝螺絲或固定裝置可能會導致電氣危險。

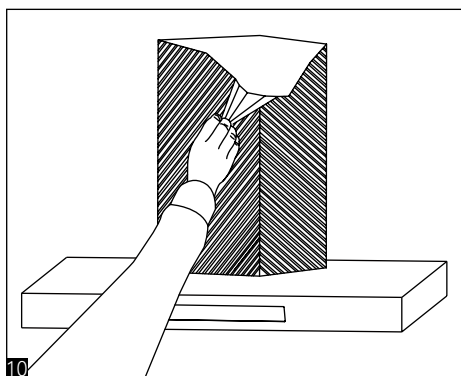
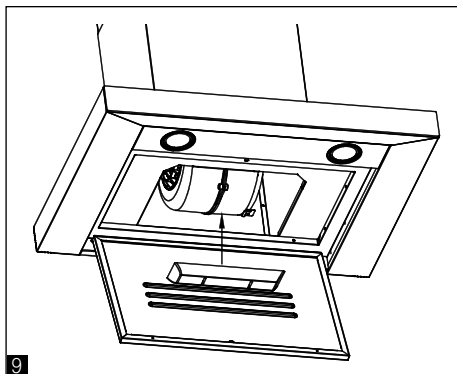
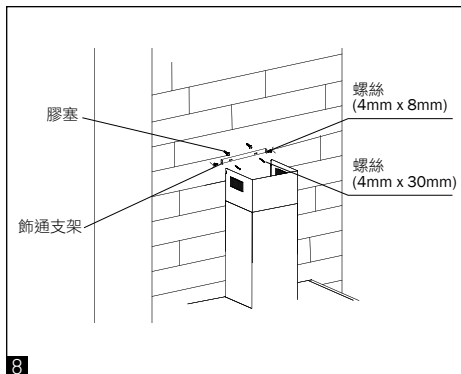
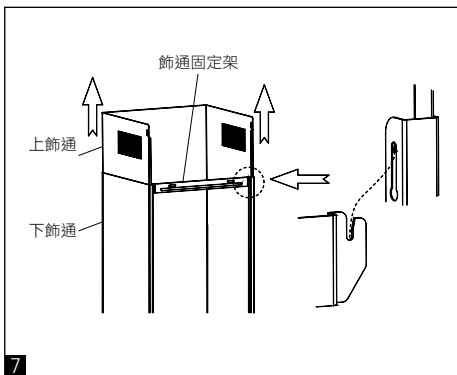
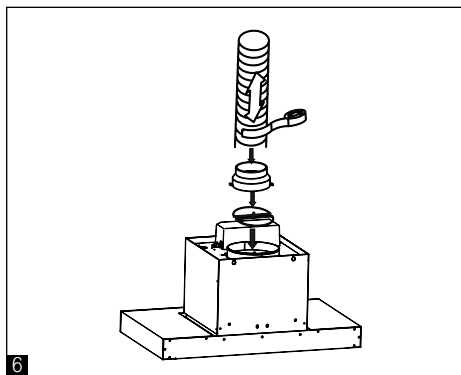
安裝步驟

1. 爐具頂部與抽油煙機底部之間的距離為：燃氣爐：750mm；電爐：650mm。（如圖3）
2. 在牆上標記掛壁支架鑽孔的位置，鑽3個 $\varnothing 8\text{mm} \times 30\text{mm}$ 孔並以隨附的 $\varnothing 4\text{mm} \times 30\text{mm}$ 螺絲及膠塞將掛壁支架固定在牆壁上。（如圖4）
3. 將抽油煙機掛到支架上。（如圖5）
4. 用膠帶或卡箍固定120mm或150mm的排風管，如有需要可使用 $\varnothing 150\text{mm}$ 轉120mm轉接器。（如圖6）
5. 將兩段飾通調校至合適的高度後，扣上飾通固定架（如圖7）。
6. 在牆上標記飾通支架鑽孔的位置，鑽2個 $\varnothing 8\text{mm} \times 30\text{mm}$ 孔並以隨附的 $\varnothing 4\text{mm} \times 30\text{mm}$ 螺絲及膠塞將飾通支架固定在牆壁上。放上飾通並以2顆 $\varnothing 4\text{mm} \times 8\text{mm}$ 螺絲固定在支架兩端。（如圖8）
7. 打開抽油煙機整流板，安裝油杯。（如圖9）
8. 去除機身所有保護膜後，安裝完成。（如圖10）

安裝說明



安裝說明



使用說明

使用前注意事項

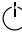
在帶開關的保險絲連接器上啟動設備，當設備已準備就緒即可以開始使用。


控制面板



圖標	按鍵指示燈	功能
	加鍵	每次按鍵風速檔位升一級；長按此鍵可快速遞增風速檔位
	減鍵	每次按鍵風速檔位降一級；長按此鍵可快速遞減風速檔位
	超頻模式鍵	<ul style="list-style-type: none">按鍵後摩打進入超頻模式Turbo Boost，並進行10分鐘倒數倒數結束後自動回復超頻模式Turbo Boost之前的檔位如要中途取消超頻模式Turbo Boost，再按此鍵一次
	照明鍵	<ul style="list-style-type: none">按鍵開啟或關閉照明燈長按3秒啟動電熱除油功能；再長按3秒取消電熱除油功能
	定時關機鍵	<ul style="list-style-type: none">按鍵進入1分30秒倒數，倒數結束後自動關機（返回待機狀態）如要中途取消定時關機，再按此鍵一次
	開關鍵	<ul style="list-style-type: none">產品在待機狀態下，按鍵開機產品運行期間，按鍵關機（返回待機狀態）
88:88	RPM轉速顯示	<ul style="list-style-type: none">顯示當前運行轉速在定時關機啟動後，顯示剩餘倒數時間
888	檔位顯示	<ul style="list-style-type: none">顯示當前檔位超頻模式下顯示「P」
	智能手勢控制顯示	在控制面板前約8cm-15cm距離內進行手勢操控，揮手時的手勢範圍需覆蓋整個控制台
	超頻模式指示燈	<ul style="list-style-type: none">超頻模式Turbo Boost未啟動時，指示燈常亮超頻模式Turbo Boost啟動期間，指示燈閃爍
	WiFi指示燈	<ul style="list-style-type: none">連接WiFi期間，指示燈閃爍成功連接WiFi後，指示燈常亮
	電熱除油指示燈	自動電熱除油功能啟動時，指示燈常亮
	照明指示燈	照明燈啟動時，指示燈常亮
	運行指示燈	產品運行期間，指示燈亮起並持續旋轉

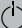
使用說明

首次接通電源後，所有按鍵及指示燈亮起1秒後熄滅，蜂鳴器發出提示聲1聲，「開關鍵 」半亮，產品進入待機狀態。

待機狀態下，按「開關鍵 」一次，所有按鍵亮起，RPM轉速顯示「0000」，風速檔位顯示「F0」，「智能手勢控制顯示」及「WiFi指示燈」常亮。如果1分鐘內無任何按鍵操作，產品自動返回待機狀態。

智能手勢控制

注意：

產品在待機狀態下，長按「開關鍵 」5秒啟動或關閉智能手勢控制功能（此功能預設為啟動）。

從左至右揮手：

揮手1次：啟動產品，以預設風速檔位F12運行，照明燈亮起，運行指示燈轉動。

揮手2次：風速檔位上調至F18。

揮手3次：風速檔位上調至F24。

揮手4次：風速檔位下調至F0，風機關閉。

揮手5次：風速檔位上調至F1。



揮手6次：風速檔位上調至F6。

揮手7次：風速檔位上調至F12。如此類推。



從右至左揮手：

產品直接返回待機狀態，關閉摩打和照明燈。

電熱除油功能

- 在待機模式下，長按「照明鍵 」3秒啟動電熱除油功能，電熱除油指示燈閃爍，產品進入9分鐘倒計時，前8分鐘為加熱溶解機內油污，最後1分鐘為摩打運行排走油污，完成後產品回復待機狀態。
- 要中途取消電熱除油功能，長按「照明鍵 」3秒。

WiFi功能

- 進行連接：在待機狀態下，長按「超頻模式鍵 」5秒，進入連接狀態，所有按鍵閃爍；連接成功後，WiFi指示燈常亮。
- 解除連接：WiFi連接狀態下，長按「定時/網絡鍵 」5秒，所有按鍵閃爍約2分鐘後熄滅，解除WiFi連接。
- 詳細WiFi連接及APP操控說明，請參閱「使用手機應用程式控制」部分。

使用說明

使用WiFi連接本產品

本產品可透過德國寶智能控制應用程式「German Pool Smart Control」APP以智能手機操控。

注意：

必須使用頻率為2.4 GHz的WiFi進行連接，不適用於頻率為5.0 GHz的WiFi。

A. 下載應用程式

連接頻率為2.4 GHz的WiFi後，掃描下方二維碼，或於蘋果iOS系統上的App Store或安卓Android系統上的 Google Play搜尋「German Pool Smart Control」，下載並安裝APP。



蘋果iOS系統
App Store



安卓Android系統
Google Play

B. 設置APP語言

蘋果iOS系統



1. 在手機的設定中搜尋「Smart Control」。



2. 點擊「偏好的語言」。



3. 在「建議的語言」一欄中選擇繁體中文或英文（注意：選擇「繁體中文(香港)」APP將會顯示英文）。

安卓Android系統

預設為系統所使用的語言，如需更改APP語言，需在設置中更改系統語言。

使用說明

C. 註冊用戶資料



1. 打開APP，點擊「用戶協議與隱私政策」上的「同意」。
2. 點擊「註冊」註冊用戶資料。
3. 輸入電郵地址，別選「我同意隱私政策與用戶協議」後點擊「獲取驗證碼」。

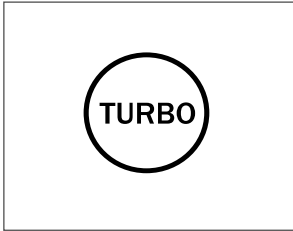


4. 輸入電郵裡的驗證碼。
5. 設定您的登入密碼後點擊「完成」，完成註冊。

使用說明

D. 配對本產品

方法1：自動配對



1. 在抽油煙機待機狀態下，長按抽油煙機上的「超頻模式鍵」5秒，直至蜂鳴器發出提示聲1聲，WiFi指示燈閃爍。



2. 點擊APP主頁右上角「+」，再點擊「添加設備」。



3. 配對前必須先打開藍牙權限，點擊「打開藍牙」（如已打開，可忽略此步驟）。



4. 點擊「去設定」（如已打開，可忽略此步驟）。



5. 點擊藍牙一欄以打開藍牙權限（如已打開，可忽略此步驟）。



6. APP顯示「正在搜索附近的設備...」。



7. 數秒後APP顯示「發現設備...」，點擊「添加」。



8. 點擊產品名稱右方的「+」。



9. 配對時建議開啟位置權限，點擊「立即設置」（如已開啟，可忽略此步驟）。

使用說明



10. 點擊「使用App時允許」（如已開啟，可忽略此步驟）。



11. 輸入手機所連接的WiFi名稱及密碼，點擊「下一步」。



12. APP顯示「正在添加」，產品與APP自動配對中。



13. 配對完成後APP顯示「添加成功」，按右上角「完成」進入產品主界面。

⚠ 警告！

如沒有開啟藍牙或沒有打開藍牙權限，將無法配對產品；注意，即使電話已開啟藍牙功能，並不代表已打開「藍牙權限」。

注意：

- 每次只可以一個帳戶進行配對，如由另一帳戶再次進行配對，先前已配對的帳號將失去本產品的操作權。
- 已配對的帳戶可以分享本產品的操作權予其他帳戶，詳見「E. 操作權分享」部份。

注意：

如無法搜索到本產品，或在配對期間APP顯示感嘆號符號，代表配對失敗，請使用下列的方法2進行配對。

使用說明

方法2：藍牙配對



1. 點擊APP主頁右上角「+」，再點擊「添加設備」。



2. 在「手動添加」一欄找到需要配對的產品型號，點擊該產品進行配對。



3. 按照APP上的指示進行配對。



4. 點擊產品名稱右方的「+」。



5. 輸入手機所連接的WiFi名稱及密碼，點擊「下一步」。



6. 配對完成後APP顯示「添加成功...」，按右上角「完成」進入產品主界面。


⚠ 警告！

如沒有開啟藍牙或沒有打開藍牙權限，將無法配對產品；注意，即使電話已開啟藍牙功能，並不代表已打開「藍牙權限」。

使用說明

E. 操作權分享



1. 在本產品操作主界面點擊右上角「」。



2. 在「其他」一欄中點擊「共用設備」。



3. 點擊下方「添加共用」。



4. 在「分享給其他人」一欄中可設定所需分享的人數，再點擊「分享給 SmartControl 賬號」。



5. 輸入該帳戶的註冊電郵地址，再點擊右上角「完成」即可。



6. 重複步驟3-5添加更多其他帳戶。






注意：

在「共用設備」頁面裡，你可隨時添加或移除帳戶的操作權。

使用說明

使用APP操作



按鍵		說明
	開關鍵	<ul style="list-style-type: none">產品在待機狀態下，按鍵開機產品運行期間，按鍵關機（返回待機狀態）
	照明鍵	按鍵開啟或關閉照明燈
	風速鍵	按鍵選擇F1-F24風速檔位
	超頻模式鍵	<ul style="list-style-type: none">按鍵後摩打進入超頻模式Turbo Boost，並進行10分鐘倒數倒數結束後自動回復超頻模式Turbo Boost之前的檔位如要中途取消超頻模式Turbo Boost，再按此鍵一次
	電熱除油鍵	產品在待機狀態下，按鍵啟動或取消電熱除油功能

清潔與維護

日常清潔

為避免集油杯滿溢，建議每星期至少清潔一次集油杯；如經常使用本產品，應增加集油杯清潔頻率。

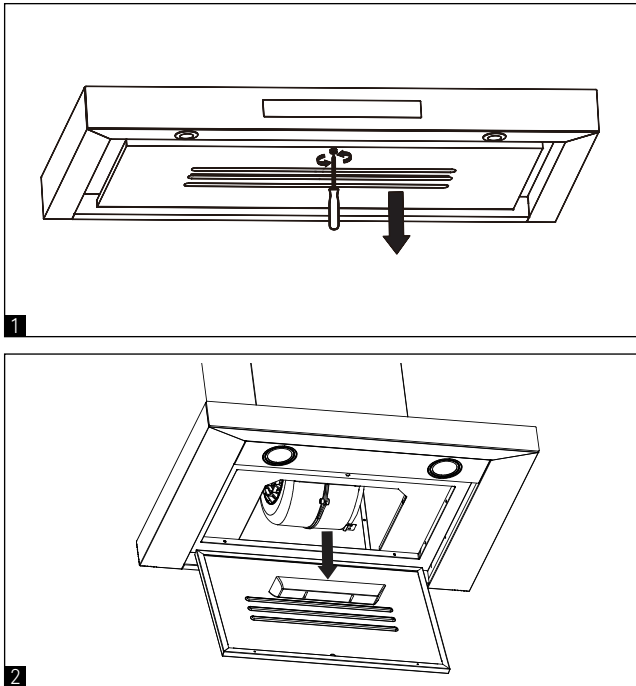
清洗集油杯

為避免起火，每月或每次使用電熱除油功能後，請徹底清潔集油杯。卸下集油杯後，以熱水和清潔劑浸泡一小時。如果使用洗碗機清潔，清洗溫度請勿高於65°C。

1. 用十字螺絲刀逆時針旋轉擰鬆螺絲後，將抽油煙機整流板往下拉。（如圖1）
2. 將集油杯輕輕往外拉，取出集油杯。（如圖2）

⚠ 警告！

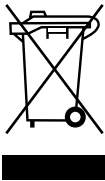
如每天使用抽油煙機2小時以上，請增加集油杯清潔/更換頻率，並必須使用原裝部件。



故障檢修

故障現象	原因分析	處理方法
過度振動	設備未正確安裝在支架上	取下設備並檢查其是否正確固定
	風扇葉片已損壞	關閉設備，聯絡客戶服務及維修中心
	風扇摩打未牢固固定	
風扇葉片被卡住		
燈亮但摩打不運作	摩打損壞	
	燈泡損壞	
燈和摩打不運作	電源連接不穩固	檢查電源
抽吸性能低	速度檔位可能太低	選擇更高的速度檔位
	抽油煙機與爐頭之間的距離太大	重新調整距離至： 燃氣爐：750mm 電爐：650mm
	頂部通風孔可能被阻塞	清除任何障礙物
	排風管可能扭曲	確保排風管安裝符合製造商的說明

回收和處理



廢棄電子產品不應與生活垃圾一起處理，請向地方當局或零售商諮詢有關回收的建議。

產品或其包裝上的符號表示該產品不能作為普通家庭垃圾處理，該產品必須移交給電氣和電子設備收集點以進行回收。

在確保正確處理本產品時，您將避免由於不正確處理本產品而對環境和公眾健康造成的負面影響。要獲取有關此產品回收的更詳細資訊，請與政府、廢物處理服務或購買該產品的商店聯繫。

技術規格

型號	DCR-7508-SC	DCR-8508-SC
電壓 / 頻率	220 - 240 V ~50 Hz	220 - 240 V ~50 Hz
功率 (最大)	253 W	253 W
照明燈	1.5W*2	1.5W*2
摩打轉速	Max. 2,820 RPM	Max. 2,820 RPM
排風量	1,020 m ³ /h	1,020 m ³ /h
機身尺寸(含摩打, 不含裝飾管)	(H) 326 mm (W) 698 mm (D) 500 mm	(H) 326 mm (W) 798 mm (D) 500 mm
淨重	14.8 kg	16 kg

產品規格及設計如有變更，恕不另行通知。

中英文版本如有出入，一概以中文版為準。

本產品使用說明書以www.germanpool.com網上版為最新版本。

保用條款

此保用提供德國寶產品之機件在正常使用下壹年保用(自購買日起計算)。

Warranty Terms & Conditions

Under normal operations, the product will guarantee a 1-year full warranty provided by German Pool (effective from the date of purchase).

* 貴戶須在購機十天內，以下列其中一種方式向本公司登記資料，保用手續方正式生效：

- 1) 填妥德國寶VIP手機應用程式保用登記表(掃描右方二維碼)
- 2) 填妥本公司網頁保用登記表
www.germanpool.com/warranty
- 3) 填妥保用卡郵寄至本公司。



* This warranty is not valid until customer registration information is received by our Service Centre within 10 days of purchase via one of the following means:

- 1) Visit our VIP App and register online:
(Scan the QR Code on the right)
- 2) Visit our website and register online:
www.germanpool.com/warranty
- 3) Complete the attached Warranty Card and mail it back to our Customer Service Centre.



另請填妥以下表格並與正本發票一併保存，以便維修時核對資料。用戶提供之所有資料必須正確無誤，否則免費保用將會無效。 Please fill out the form below. This information and the original purchase invoice will be required for any repairs. Warranty will be invalidated if information provided is found to be inaccurate.

型號 Model No. : DCR-7508-SC DCR-8508-SC

機身號碼 Serial No. : _____ 發票號碼 Invoice No. : _____

購買商號 Purchased From : _____ 購買日期 Purchase Date : _____

1. 未能出示購買發票正本者，將不獲免費維修服務。
2. 用戶應依照說明書的指示操作。本保用並不包括：
 - 上門安裝、檢驗、維修或更換零件之人工以及一切運輸費用；
 - 因天然與人為意外造成的損壞(包括運輸及其他)；
 - 電源接合不當、不依說明書而錯誤或疏忽使用本機所引致之損壞。
3. 於下列情況下，用戶之保用資格將被取消：
 - 購買發票有任何非認可之刪改；
 - 產品被用作商業或工業用途；
 - 產品經非認可之技術人員改裝或加裝任何配件；
 - 機身編號被擅自塗改、破壞或刪除。
4. 總代理有權選擇維修或更換配件或其損壞部份。
5. 產品一經被轉讓，其保用即被視作無效。

1. Customer who fails to present original purchase invoice will not be eligible for free warranty service.
2. Customer should always follow the operating instructions. This warranty does not apply to:
 - labour costs for on-site installation, check-up, repair, replacement of parts and other transportation costs;
 - damages caused by accidents of any kind (including material transfer and others);
 - operating failures resulting from applying incorrect voltage, improper usage, and unauthorized installations or repairs.
3. This warranty is invalid if:
 - the purchase invoice is modified by an unauthorized party;
 - the product is used for any commercial or industrial purposes;
 - the product is repaired or modified by unauthorized personnel, or unauthorized parts are installed;
 - the serial number is modified, damaged or removed from the product.
4. German Pool will, at its discretion, repair or replace any defective part.
5. This warranty will be void if there is any transfer of ownership from the original purchaser.

客戶服務及維修中心

中國香港

九龍大業街59號

三湘九龍灣貨運中心地下B室

電話：+852 2773 2888

傳真：+852 2356 9798

電郵：repairs@germanpool.com

中國澳門

澳門青洲大馬路(青洲新路)

515號美居廣場第二期1樓A座

電話：+853 2875 2699

傳真：+853 2875 2661

Customer Service & Repair Centre

China Hong Kong

Unit B, G/F, Sunshine Kowloon Bay

Cargo Centre, 59 Tai Yip Street,

Kowloon, Hong Kong

Tel : +852 2773 2888

Fax : +852 2356 9798

Email : repairs@germanpool.com

China Macau

A, 1 Andar, Mei Kui Kuong Cheong Fase 2,

No.515 Avenida Do Conselheiro Borja

Macau

Tel : +853 2875 2699

Fax : +853 2875 2661

此保用只適用於香港及澳門

This warranty is valid only in Hong Kong and Macau

German Pool (Hong Kong) Limited



香港《S MARK》
安全認證



中國標榜/家電行業
十大影響力品牌

CEO

CEO非凡品牌大賞



香港優質商標



香港工商業獎



2007
最具潛質
創星品牌企業獎



香港中小企業
最佳績優大獎



HONG KONG
CONSUMER CHOICE
2007



香港《O標》
優質服務證書



香港名牌十年成就獎
HONG KONG TOP BRAND TEN YEAR
ACHIEVEMENT AWARD

© All rights reserved. Copying, reproducing or using the contents of this manual is not allowed without prior authorization from German Pool, violators will be prosecuted.