

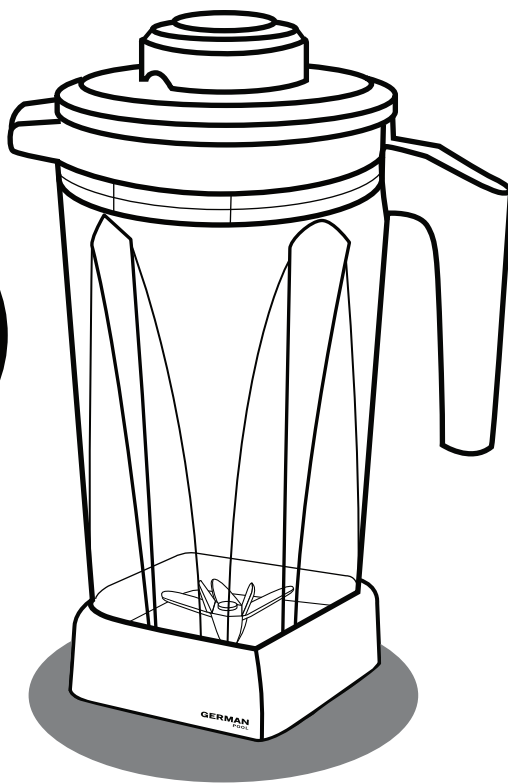
GERMAN  
POOL



德國寶

果汁杯  
Blender Jar

JAR - 30



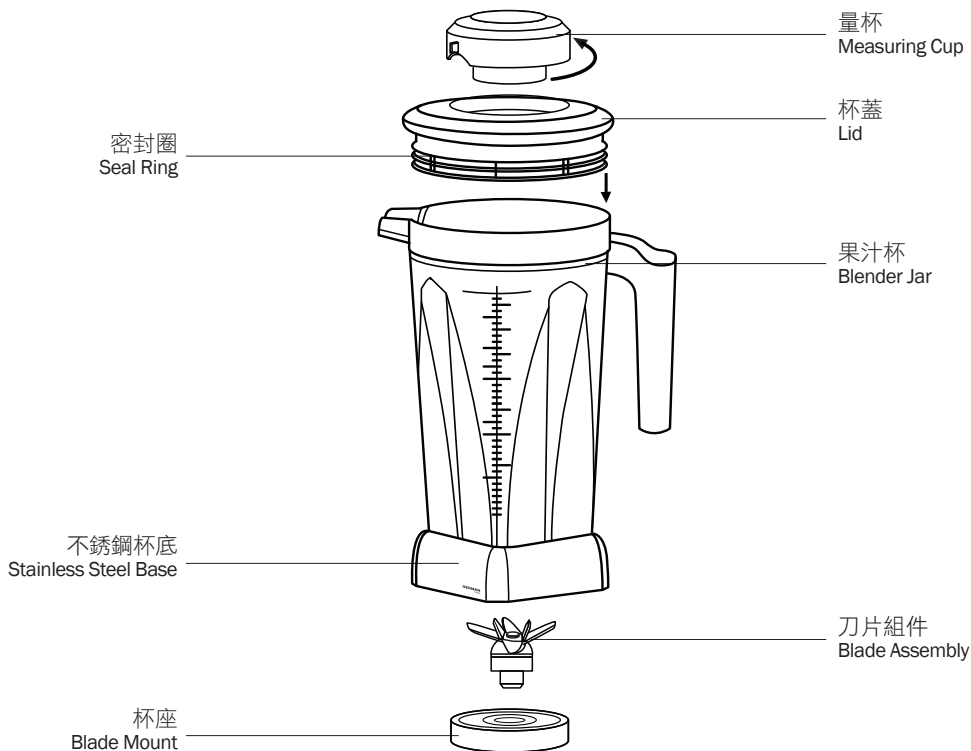
在使用之前請詳細閱讀「使用說明書」，並妥為保存。

Please read these instructions carefully before use and keep them handy for future reference.

使用說明書 USER MANUAL

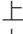

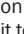
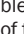
# 產品結構 Product Structure

---



# 使用注意事項 Notice for Operation

---

- 將量杯放入杯蓋中(量杯上的箭嘴對準杯蓋上的  標誌旋轉至  扣緊)，再將杯蓋蓋上果汁杯杯口，往下按入。再要打開時，只需將杯蓋往上拉即可。
- Insert the measuring cup to the lid (align the arrow on the cup to the  symbol on the lid and turn it to  position). Then press down the lid to the blender jar to close. To open, pull up by the flap of the lid.
- 產品操作時，請必須將杯蓋與量杯扣緊，避免讓杯內的食物濺出甚至造成危險。
- During operation, close the lid tightly to avoid injuries due to spilling or splashing of hot liquids.

# 清潔與保養 Care & Maintenance

- 清潔、保養及維修前必須先拔掉電源插頭。
- 清潔時用軟布或海綿輕輕抹擦杯子表面，而杯蓋上的量杯及密封圈則可取出清洗。
- 操作完成後必須等待產品完全停止運轉後才將杯子拿開，否則易造成損壞。
- 果汁杯使用後可以用清水沖洗。
- 杯蓋密封圈為可拆卸部件，清洗時可將密封圈取下單獨清洗，然後再套上杯蓋，方便徹底清除杯蓋與密封圈上的食物殘渣。
- 清洗完畢後請將果汁杯橫放或倒放\*，讓其自然晾乾，切勿將杯子整個浸泡於水中。
  - \* 如將杯子倒放晾乾，請將杯底之水漬擦拭乾淨，並且遠離洗手盆，以防水滴不慎流到杯底，造成軸承生水鏽而損壞果汁杯。
- 切勿用清水沖洗機座，並切勿將機座或電源線等置於水中或其他液體中。可用清潔軟布擦拭機座。
- Power plug must be disconnected before cleaning and repair.
- Clean surface of the blender jar with soft cloth or sponge. The measuring cup and the seal ring can be detached for cleaning.
- When the operation finishes, please wait until the blade assembly comes to a complete stop before taking up the blender jar.
- The blender jar can be rinsed with water.
- The seal ring is detachable from the lid for easy cleaning.
- After cleaning, put the blender jar on the side or upside down (Note 1) to dry \*. Do not immerse the whole jar in water.
  - \* To dry the blender jar in upside down position, please remove the residual water with a dry cloth. Do not position it near the sink or basin to avoid water spraying to the bottom part of the jar. This may cause rusting of the bearing and thus affect the performance of the blender.
- Do not immerse the unit base or power cord into water or other liquids. Clean the unit base by soft cloth.

## 溫馨提示：

為更有效清潔果汁杯內及刀片上之污垢，使杯及刀更耐用，可於果汁杯內加入清水及檸檬，然後蓋緊杯蓋，按“間歇運轉”鍵2至3次，將水倒去，再注入清水重覆之前程序便可。

## A Friendly Reminder :

To effectively remove dirt on the jar and blades and help them last longer, do the following: add in water and lemon, close the lid and then press “Pulse” button for 2 to 3 times. Replace liquid with clean water and repeat the above step.

## 客戶服務及維修中心

香港

九龍灣啟興道1-3號

九龍貨倉10樓

電話：+852 2333 6249

傳真：+852 2356 9798

電郵：repairs@germanpool.com

澳門

澳門俾利喇街145號

寶豐工業大廈3樓

電話：+853 2875 2699

傳真：+853 2875 2661

## Customer Service & Repair Centre

Hong Kong

10/F, Kowloon Godown

1-3 Kai Hing Road, Kowloon Bay,

Kowloon, Hong Kong

Tel : +852 2333 6249

Fax : +852 2356 9798

Email : repairs@germanpool.com

Macau

3/F, Edificio Industrial Pou Fung,

145 Rua de Francisco Xavier Pereira,

Macau

Tel : +853 2875 2699

Fax : +853 2875 2661

此保用只適用於香港及澳門

This warranty is valid only in Hong Kong and Macau

GERMAN  
POOL 德國寶

德國寶(香港)有限公司  
German Pool (Hong Kong) Limited

香港  
Hong Kong

香港九龍土瓜灣馬頭角道116號  
新寶工商中心2期113號室

Room 113, Newport Centre Phase II, 116 Ma Tau  
Kok Road, Tokwawan, Kowloon, Hong Kong.

電話 Tel: +852 2773 2888

傳真 Fax: +852 2765 8215

中國  
China

廣東省佛山市順德區  
大良南國東路德順廣場三層

3/F, Takshun Plaza, Nanguo East Road,

Shunde, Foshan, Guangdong

電話 Tel: +86 757 2980 8308

傳真 Fax: +86 757 2980 8318

澳門  
Macau

澳門俾利喇街145號  
寶豐工業大廈3樓

3/F, Edificio Industrial Pou Fung,

145 Rua de Francisco Xavier Pereira, Macau

電話 Tel: +853 2875 2699

傳真 Fax: +853 2875 2661



香港名牌十年成就獎  
HONG KONG TOP BRAND TEN YEAR  
ACHIEVEMENT AWARD



香港卓越名牌  
HONG KONG  
PREMIER BRAND



2007  
CERTIFICATE OF AWARD FOR THE BEST BRAND ENTERPRISES  
卓越品牌企業獎



中小企業  
最佳拍檔大獎



HONG KONG  
CONSUMERS CHOICE  
2007



© 版權所有。未獲德國寶授權，不得翻印、複製或使用本說明書作任何商業用途，違者必究。

© All rights reserved. Copying, reproducing or using the contents of this manual is not allowed without prior authorization from German Pool, violators will be prosecuted.

[www.germanpool.com](http://www.germanpool.com)