

GERMAN
POOL



德國寶

嵌入式氣體煮食爐

Built-In Gas Cooking Range

GP11 系列

Series



即時網上登記保用
Online Warranty Registration



在使用之前請詳細閱讀「使用說明書」及「保用條款」，並妥為保存。
Please read these instructions and warranty information carefully before use and keep them handy for future reference.

使用說明書 USER MANUAL

目錄 Table of Contents

注意事項 Notice Before Use	03
產品結構 Product Structure	05
安裝說明 Installation Instructions	07
操作說明 Operating Instructions	10
清潔與保養 Care & Maintenance	11
常見故障及處理 Troubleshooting	12
技術規格 Technical Specifications	13
保用條款 Warranty Terms & Conditions	15

注意事項 Notice Before Use

重要說明

為安全起見，初次使用產品前請先細閱本說明書，並保存說明書，以便作參考之用。

本產品只供家居使用。請必須依照本說明書內的指示安裝及操作。

1. 必須由註冊氣體裝置技工安裝此爐具。
2. 請確保爐具使用範圍內通風良好，避免室內缺氧。
3. 此爐具只適用於烹飪，不可用於烘乾衣物、毛巾等。
4. 於長時間使用時，請打開窗戶或開啟抽風設備，確保室內空氣流通。
5. 使用爐具後請檢查所有控制鍵有否扭回關閉位置。
6. 如爐火於使用中意外地被吹熄，安全閥會自動切斷氣源，於一分鐘後才可重新點火。
7. 煮油或脂肪時請特別小心控制爐火，因此類食物很容易因過熱而搶火。
8. 使用爐具時，請勿使用噴霧劑或壓縮氣體等，以免發生危險。
9. 於點火後檢查爐火是否平均正常；拿走煮食器皿時，先把爐火調小或關閉。
10. 請勿放置任何吸熱墊等物品於爐架與煮食器皿之間，避免對爐具造成嚴重損壞。
11. 請勿取出爐架配用其他鑊架等，以免令爐面過熱損壞。

Important

For safety purpose, you should read the instructions carefully before using the appliance for the first time. Save the instructions for future reference.

The appliance is designed for domestic use and may only be installed and operated in accordance with these instructions for use.

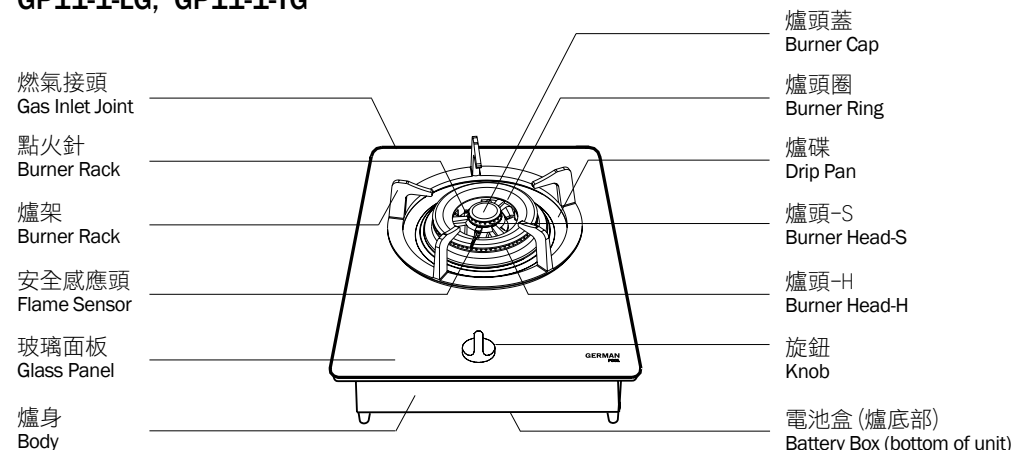
1. The cooking range must be installed by registered gas installer.
2. Ensure that the cooking range is used with good ventilation. Environment with insufficient oxygen should be avoided.
3. This built-in range is to be used for cooking only. Do not dry towels, clothes, etc. over it.
4. During long period of use, open window or exhaust fan to ensure good ventilation.
5. Check that all control knobs have been set to "Off" position after use.
6. If the flame is blown out during use, the safety valve will cut off gas supply. Ignite again after at least 1 minute.
7. Take extra care when cooking oil or fat. High temperature of oil or fat may cause fire hazard.
8. To avoid hazard, do not use spray or compressed gas when the cooking range is in use.
9. After ignition, check if the flame is even and normal. Before removing cookware away from the flame, always set to small flame or "Off" position.
10. To avoid damage to the cooking range, do not place any hot mat between the range rack and the utensil.
11. Do not use burner rack other than the one provided. Otherwise, it will cause overheat to the range surface.

注意事項 Notice Before Use

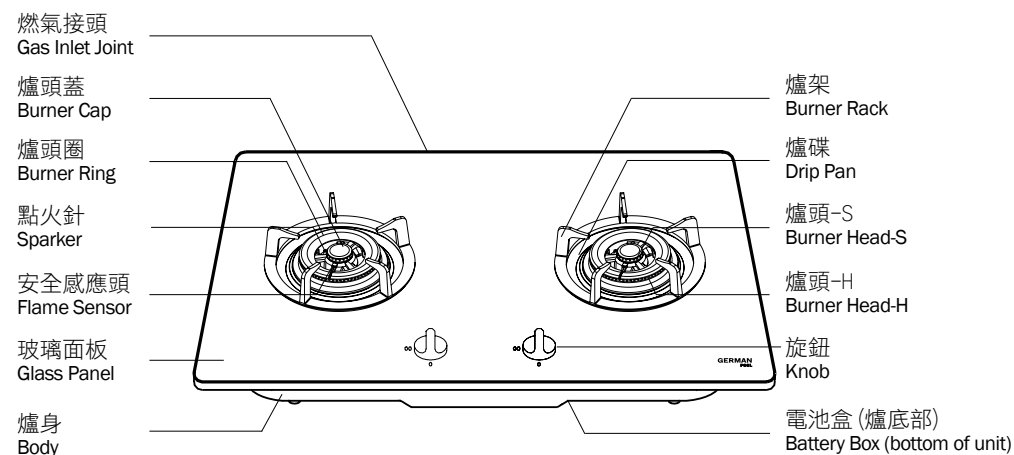
12. 請勿用過大或過重之煮食器皿壓於爐架上，以免損壞爐架及令過多熱量反射回爐面，造成損壞。
 13. 把煮食器皿穩固放於爐架正中位置，避免傾側。
 14. 如需維修或更換零件，請與本公司維修部聯絡，並必須使用原廠配件。在保養期內，如因人為損壞、錯誤或不恰當使用爐具而導致之損壞，本公司會收取零件及維修費用。
 15. 身體、感知或精神能力有缺陷或無法獲得經驗和學習知識的人員（包括兒童）必須在負責其安全的人員監督下或瞭解如何使用本設備後方可使用。
 16. 當在灶櫃面安裝嵌入式氣體煮食爐時，灶櫃應設有透氣設施，以確保煮食爐在使用時操作正常。
 17. 不應將易燃物料、噴霧及壓縮容器放置在灶櫃內。
 18. 此煮食爐的面板是用強化玻璃製造，較一般玻璃安全。唯使用嵌入式玻璃面板煮食爐時還須注意以下事項，以避免玻璃面板爆裂：
 - i. 經常清潔爐頭組件以保持火蓋焰孔暢通，如滾瀉食物及汁液，應在爐頭組件冷卻後盡快用手取出爐頭蓋、爐頭圈、爐架、爐頭-S及爐頭-H作出妥善清理。
 - ii. 如煮食爐出現不尋常聲音，應即停用並安排氣體供應公司或爐具進口商檢查。
 - iii. 切勿以硬物撞擊或將重物放置於玻璃面板上。
12. Do not use over-size or over-weight utensils. Or it will cause excessive heat to be reflected back onto the range surface.
 13. Place the utensil steadily on the range rack. Do not tilt the utensil.
 14. Contact our Repair Department for repair and parts replacement. During guarantee period, German Pool may charge for spare parts and service fees if the damage is caused by misuse or improper installation.
 15. This appliance is not intended for use by persons (including children) with reduced physical, sensory or mental capabilities, or lack of experience and knowledge, unless they have been given supervision or instruction concerning use of the appliance by a person responsible for their safety.
 16. When installing built-in gas hob on top of stove cabinet, please check that there is provision for ventilation at the cabinet to ensure proper operation of the gas hob.
 17. Do not store any flammable materials, sprays or pressurized containers inside the stove cabinet.
 18. The panel of this built-in hob is made of tempered glass which is safer than normal glass for this application. However, the following safety precautions for using built-in hob with glass top panel should also be noted in order to prevent the glass top panel from breaking:
 - i. Clean the burner assembly frequently to maintain a clear gas passage on the flame distributor. Remove burner cap, burner ring, burner rack, burner head-S and burner head-H by hands, clean and tidy up the flame distributor after spillage of food and liquid once the burner assembly cooled down.
 - ii. Turn off the gas appliance immediately if abnormal noise propagates from the gas appliance and contact gas supply company or gas hob importer for inspection.
 - iii. Do not impact the glass surface with hard objects or place heavy objects on the glass surface.

產品結構 Product Structure

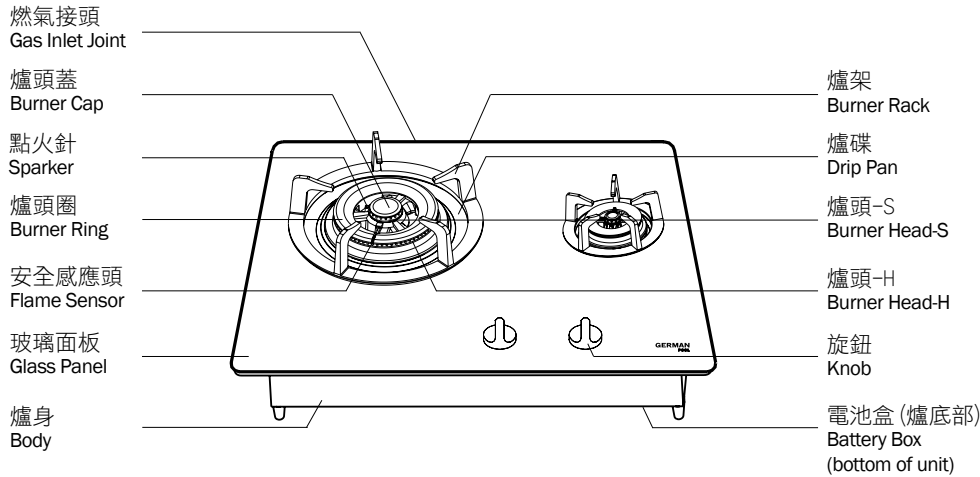
GP11-1-LG, GP11-1-TG



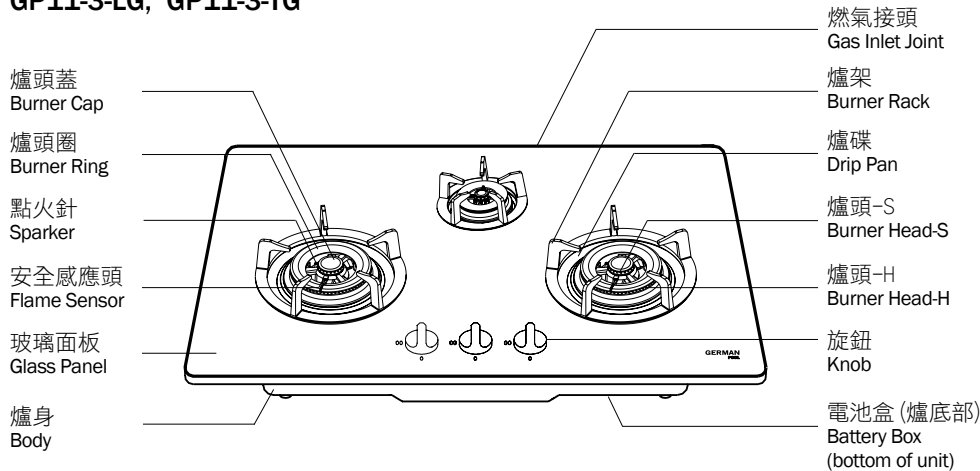
GP11-2-LG, GP11-2-TG



GP11-2M-LG, GP11-2M-TG



GP11-3-LG, GP11-3-TG



注意

所有爐具必須由註冊氣體裝置技工安裝，切勿自行安裝，否則一切後果本公司概不負責。

- 本爐具認可的進氣運作氣壓：

氣體類型	進氣氣壓
香港煤氣	1500 Pa
香港石油氣	2900 Pa

- 安裝人員必須於安裝前準確量度氣壓才可進行接駁。
- 如接駁之氣壓與本爐具所標示的不相符，將會嚴重影響本爐具運作以及導致損壞。
- 安裝前必須確保煮食爐具可因應當地供氣情況 (氣體類別及壓力) 進行調校。
- 本煮食爐具的調校須知已標註在標籤上。
- 本煮食爐沒有接駁至燃燒產品撤離裝置，應按照有關條例安裝並應特別注意空氣流通之有關要求。
- 使用氣體煮食爐時會產生熱氣及濕氣，廚房必須保持空氣流通。可開啟自然風窗口或安裝抽氣或排氣裝置。長時間不斷使用氣體煮食爐，需提供額外的通風設備，如打開窗戶或使用有效的通風裝置。
- 爐具須安裝在空氣流通房間內，附近不可放置易燃物品如紙張、油類等。
- 爐具須放置在穩固之平面上。
- 如要安裝爐具於易燃物料附近 (如木牆、木架)，兩側須距離15厘米 (6英吋) 以上，此爐具的安裝位置應與周圍易燃物料距離15厘米以上。
- 距離底部不少於50毫米 (2英吋)。
- 此爐具不需要安裝外置氣體穩壓器。

Attention

The gas cooking range must be installed by registered gas installer. Otherwise, German Pool will not be responsible for any damages.

- The inlet gas supply working pressure to the appliance MUST BE as follows:

Type of gas	Inlet pressure
Hong Kong Town Gas	1500 Pa
Hong Kong LP Gas	2900 Pa

- Pressure MUST BE ACCURATELY MEASURED before the appliance is connected.
- If non-compatible pressures are connected to the appliance, it will affect the performance of the unit and/or pose risk of damage.
- Prior to installation, ensure that the appliance is adjustable according to the local distribution conditions (nature of the gas and gas pressure).
- The adjustment conditions for this appliance are stated on the label (or data plate).
- This appliance is not connected to evacuation devices for combustion products. It shall be installed according to the relevant regulations. Particular attention shall be given to the ventilation requirements.
- The use of a gas cooking appliance produces heat and moisture, so it is essential to ensure that the kitchen is well ventilated. Keep natural ventilation windows open or install a mechanical ventilation device (mechanical extractor hood). Prolonged intensive use of the appliance may call for additional ventilation, for example, opening windows or increasing the level of mechanical ventilation where present.
- Install the built-in hob in a well ventilated room and keep it away from any combustible or inflammable objects such as paper or oil.
- Place the built-in hob on a stable and level surface.
- If the unit is to be installed close to combustible surroundings (such as wooden walls, wooden shelves), it should be installed at least 15 cm (6") from the side walls. The unit should be installed with a distance of at least 15 cm away from surrounding combustible materials.
- Distance from bottom should be at least 50 mm (2").
- This appliance does not need to be installed with an external gas governor.

I. 房間內通風

保持正常氣體燃燒及有關房間通風所需之空氣量，體積必須不少於20立方米。空氣應自然流經房間內的固定窗戶或通風口。窗戶或通風口面積最少為100平方厘米，並確保不被阻塞。通風系統須符合有關法例，亦可接受從隔鄰房間抽取空氣的間接通風系統。

II. 氣體接駁

注意

根據香港氣體安全規例，任何氣體裝置工程，包括爐具和接駁喉管的安裝，必須由註冊氣體裝置技工執行，而該技工已於相關的氣體工程類別註冊及受聘於註冊氣體工程承辦商。

使用認可印有機電工程署批准標記(例如：機電工程署批准 EMSD APPROVAL GTXXX) 的氣體接駁喉管連接爐具，或使用機電工程署接納的其他恰當方法。

當在灶櫃面安裝嵌入式氣體煮食爐時，灶櫃應設有透氣設施，以確保煮食爐在使用時操作正常。不應將易燃物料、噴霧及壓縮容器放置在灶櫃內。

此煮食爐的面板是用強化玻璃製造，較一般玻璃安全。唯使用玻璃面板煮食爐時還須注意以下事項，以避免玻璃面板爆裂：

1. 經常清潔爐頭組件以保持火蓋焰孔暢通，如滾瀉食物及汁液，應在爐頭組件冷卻後儘快作出妥善清理。
2. 如煮食爐出現不尋常聲音，應即停用並安排氣體供應公司或爐具進口商檢查。
3. 切勿使用過大的器皿煮食。
4. 切勿以硬物撞擊或將重物放置於玻璃面板。

此煮食爐的煤氣嵌入式型號已豁免強制性需要安裝外置氣體穩壓器的規定。

I. Room Ventilation

Give the kitchen the amount of air required for regular gas combustion and for the room to keep well-ventilated – the volume of which must not be less than 20m³. Air must naturally flow through permanent opening in the walls of the room. These openings must vent the fumes outdoors and their section must be at least 100cm², and ensure that they may never be blocked. Indirect ventilation by air drawn from an adjacent room is also permitted, in strict compliance with any local regulation in force.

II. Gas Connection

Attention

According to the Gas Safety Regulations of Hong Kong, any gas installation works including the installation of appliances and connection tubing, must be undertaken by registered gas installers who are registered for that appropriate classes and be employed by registered gas contractors.

Use approved gas tubing bearing EMSD approval marking (such as: 機電工程署批准 EMSD APPROVAL GTXXX) for connection to appliances, or other appropriate methods accepted by EMSD.

When installing built-in gas hob on top of stove cabinet, please check that there is provision for ventilation at the cabinet to ensure proper operation of the gas hob. Do not store any flammable materials, sprays or pressurized containers inside the stove cabinet.

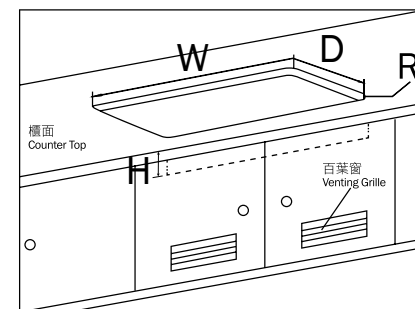
The top panel of this cooker is made of tempered glass which is safer than normal glass for this application. However, the following safety precautions for using gas hob with glass top panel should also be noted in order to prevent the glass top panel from breaking:

1. Clean the burner assembly frequently to maintain a clear gas passage on the flame distributor. Clean and tidy up the flame distributor after spillage of food and liquid once the burner assembly cooled down.
2. Turn off the gas appliance immediately if abnormal noise propagates from the gas appliance and contact gas supply company or gas hob importer for inspection.
3. Do not use oversized utensils for cooking.
4. Do not impact the glass surface with hard objects or place heavy objects on the glass surface.

The town gas model of this built-in hob has been exempted from the mandatory requirement for the installation of external gas governor.

III. 櫃面開孔尺寸 Cut-Out Dimensions

型號 Model No.	W	D	H	R
GP11-1-LG, GP11-1-TG	≥265	≥463	≥50	0
GP11-2-LG, GP11-2-TG	≥674	≥364	≥50	30
GP11-2M-LG, GP11-2M-TG	≥463	≥342	≥50	0
GP11-3-LG, GP11-3-TG	≥798	≥463	≥50	0

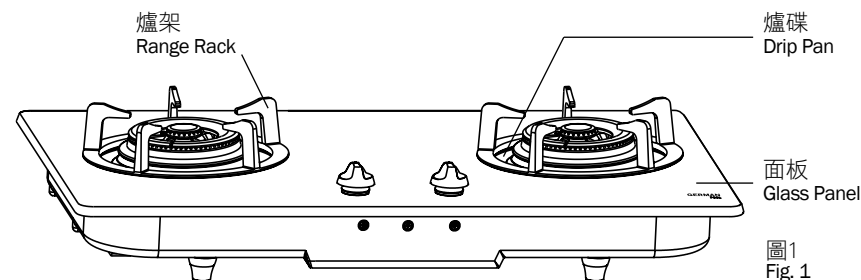


IV. 爐架及爐頭之正確位置

使用前請先確定以下配件已置於正確位置。

1. 爐架

爐架正確地安放在爐碟上(圖1)。



2. 爐頭

爐頭蓋和爐頭圈分別放置在爐頭S和H上(圖2)，放置時請勿傾斜(圖3)。

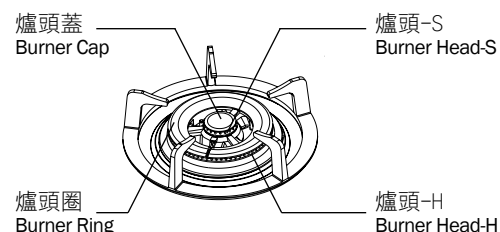


圖2 Fig. 2

IV. Correct Position of Burner Rack & Burner Cap

Make sure that the following parts are fitted properly before use.

1. Burner Rack

Fit Burner Rack Legs into Drip Pan (Fig. 1).

2. Burner Cap

Fit Burner Cap and Burner Ring into Burner Heads S & H properly without gap (Fig. 2 & 3).

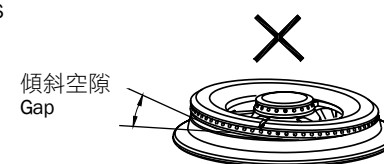


圖3 Fig. 3

操作說明 Operating Instructions

注意

所有爐具須由註冊氣體裝置技工進行安裝、內部調試及接駁喉管。用戶切勿自行安裝或維修。

切勿使用並非由製造商供應的配件，例如錫紙碟，使用錫紙可能導致爐火不正常。

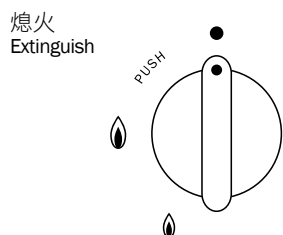
感應頭較易被磨損，切勿用硬毛刷或粗糙抹布清潔。

1. 請一邊按住爐具開關掣一邊向左(開的方向)慢慢地旋轉，隨著「啪啪」的響聲，火花將點燃燃燒器。在確認燃燒器被點燃後數秒鐘(安全裝置啟動為止)之內，請保持原位置。若中途放手的話，可能會點不著火。

2. 將手放開爐具開關掣而爐火仍未點著時，請用同樣的方法再次操作，將手慢慢地放開。

3. 轉動爐掣，調節爐火至所需火力。

4. 爐火大小可於「●」及「◐」位置調節。請緩慢轉動旋鈕調節(圖4及圖5)。



5. 如爐火熄滅，防漏熄火安全裝置會自動切斷燃氣供應，如有此情況，請將爐掣轉至「●」的位置。

6. 將爐掣轉回至「●」的位置，爐火便會熄滅。

Attention

All cooking ranges must be installed, commissioned and connected by registered gas installer. Do not install or repair the cooking range yourself.

Do not use additional fitting, such as aluminium foil. The use of aluminium foil may lead to abnormal operation.

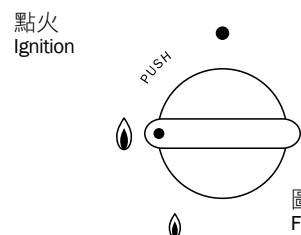
The Safety Sensor is very delicate – please do not use hard brushes or rough cleaning pads when cleaning.

1. While pushing the control knob, turn it to the left (towards the “ON” position) slowly until you hear a ‘click’ sound. Electronic spark will ignite burners. Keep pushing the control knob for several seconds, the Safety Device will then operate. If you release your hand halfway, electronic spark might not ignite burners.

2. If the flame goes out when you release your hand, repeat the ignition procedure again but try release your hand slowly.

3. Turn Control Knob to adjust flame to desirable setting.

4. Flame can be adjusted between “●” and “◐”. Please adjust flame slowly (Fig. 4 & 5).



5. If the flame is extinguished while using, the Safety Device will shut the gas off after a short delay. When this happens, please turn the Knob to “●” position.

6. Turn the ignition Control Knob backwards to the “●” position to extinguish the burner.

操作說明 Operating Instructions

防漏熄火安全裝置生效時的處理方法及更換電池

· 如爐頭在使用中火焰突然熄滅，防漏熄火安全裝置會自動切斷燃氣供應。如有此情況，請將旋鈕轉至「●」的位置。

· 感應頭較易被磨損，切勿用硬毛刷或粗糙抹布清潔。

· 生產商已調教好風位，切勿嘗試自行調校。

· 電芯盒在爐身的底部(直流1.5伏特x1)。請將盒蓋打開更換電池。

· 請小心別把乾電池的正、負極弄錯。

How to handle when flame failure safety device active and change battery

· If the flame is extinguished during operation, the automatic Flame Failure Safety Device will shut off gas after a short delay. Turn the knob to “●” position when this happens.

· The Safety Sensor is very delicate – please do not use hard brushes or rough cleaning pads when cleaning.

· Aeration is preset at factory. Please do not attempt to adjust it.

· Battery Box is located at bottom (DC1.5V x 1). Open the door of battery box and change battery.

· Set battery at correctly polarity (“+” and “-”).

清潔與保養 Care & Maintenance

注意

當爐具尚熱時，且勿進行清洗。

1. 用柔軟的濕布及中性洗潔精輕抹面板部分。

2. 用暖水及洗潔精清理爐頭。

Attention

Do not clean the unit when it is hot.

1. Wipe the Glass Panel with a soft, damp cloth and mild detergent.

2. Wash the Burner Racks and Burner Heads with warm water and detergent.

常見故障及處理 Troubleshooting

故障現象 Phenomenon	原因分析 Possible Cause	處理方法 Solution
點不著火 Cannot be ignited	點火極濕（尤其在潮濕季節）。 Spark electrode is wet, especially in the humid season.	用紙巾或乾毛巾抹乾點火電極。 Dry the electrode with clean tissue or dry cloth.
	電池已耗盡。 Out of battery.	更換電池。 Replace battery.
不能保持火焰 Flame cannot be held	沒正確轉動爐掣。 Incorrect turning of gas control knob.	按壓爐掣及反時針方向旋轉至「大火」位置，直至聽到「嗒」聲。待爐火點著後才放手。 Press down and turn the knob anti-clockwise towards "high" until "ticks" are heard. Release only after the stove is lit.
爐頭沒有火焰 No main flame	仍未開啟燃氣表控制閥及/或爐具切斷閥。 Gas meter cock and/or appliance isolating cock have been turned off.	完全開啟燃氣表控制閥及/或爐具切斷閥。 Open gas meter cock and/or appliance isolating cock completely.
	錫紙阻塞爐頭。 Burner cap is blocked by aluminium foil.	除掉錫紙。 Remove aluminium foil.
發現有氣體異味 Smell of gas	喉管破裂或未接駁好。 Gas pipe is damaged or not connected well.	聯絡本公司重新接駁喉管。 Contact German Pool to replace or re-connect gas pipe.
	閥體漏氣。 Gas valve is leaking.	聯絡本公司重新接駁喉管。 Contact German Pool to replace or re-connect gas pipe.
黃火 Yellow flame	爐頭積聚油漬及污垢。 Grease and dirt accumulate on burner head.	以暖水和洗潔精清洗爐頭，然後抹乾並放好。 Wash burner head in warm water with detergent. Mop it dry and then place back in correct position.
火焰不穩定 Unstable flame	爐頭未放好。 Incorrect location of burner head.	重新放好爐頭。 Refit burner head into burner ring.

警告：若按上述方法仍無法點火，請即致電本公司作維修，切勿使用其他方法點火。

Warning: If the cooking range cannot be ignited by the above suggested solutions, do not attempt to ignite by other means. Please contact German Pool for repair.

產品規格及設計如有變更，恕不另行通知。
Specifications are subject to change without prior notice.

中英文版本如有出入，一概以中文版為準。
If there is any inconsistency or ambiguity between the English version and the Chinese version, the Chinese version shall prevail.

本產品使用說明書以 www.germanpool.com 網上版為最新版本。
Refer to www.germanpool.com for the most up-to-date version of the Operating Instructions.

技術規格 Technical Specifications

型號 Model no	GP11-1-LG	GP11-1-TG	GP11-2-LG	GP11-2-TG
氣體種類 Gas Type	香港石油氣 Hong Kong LPG	香港煤氣 Hong Kong Town Gas	香港石油氣 Hong Kong LPG	香港煤氣 Hong Kong Town Gas
額定熱負荷 Rated Heat Input	4.5 kW	5.2 kW	左 L 4.5 kW 右 R 4.5 kW	左 L 5.2 kW 右 R 5.2 kW
氣體壓力 Gas Working Pressure	2900 Pa	1500 Pa	2900 Pa	1500 Pa
電源供應 Electric Supply	DC 1.5V (D型乾電池) DC 1.5V (D Size)			
點火方式 Ignition Method	自動電子點火 Electric Automatic Ignition			
安全裝置 Safety Devices	Yes 有			
燃氣入口接駁 Gas Inlet Connection	8.8毫米石油氣膠喉/ 1/2英寸 英制陽螺紋 8.8 mm LPG Hose/ 1/2" B.S.P. (Male)	1/2英寸英制 陽螺紋 1/2" B.S.P. (Male)	8.8毫米石油氣膠喉/ 1/2英寸 英制陽螺紋 8.8 mm LPG Hose/ 1/2" B.S.P. (Male)	1/2英寸英制 陽螺紋 1/2" B.S.P. (Male)
機身尺寸 Product Dimensions	(H) 150 mm (W) 305 mm (D) 505 mm		(H) 150 mm (W) 750 mm (D) 450 mm	

型號 Model no	GP11-2M-LG	GP11-2M-TG	GP11-3-LG	GP11-3-TG
氣體種類 Gas Type	香港石油氣 Hong Kong LPG	香港煤氣 Hong Kong Town Gas	香港石油氣 Hong Kong LPG	香港煤氣 Hong Kong Town Gas
額定熱負荷 Rated Heat Input	左 L 4.5 kW 右 R 2.0 kW	左 L 5.2 kW 右 R 2.5 kW	左 L 4.5 kW 中 M 2.0 kW 右 R 4.5 kW	左 L 5.2 kW 中 M 2.5 kW 右 R 5.2 kW
氣體壓力 Gas Working Pressure	2900 Pa	1500 Pa	2900 Pa	1500 Pa
電源供應 Electric Supply	DC 1.5V (D型乾電池) DC 1.5 V (D Size)			
點火方式 Ignition Method	自動電子點火 Electric Automatic Ignition			
安全裝置 Safety Devices	Yes 有			
燃氣入口接駁 Gas Inlet Connection	8.8毫米石油氣膠喉/ 1/2英寸英制陽螺紋 8.8 mm LPG Hose/ 1/2" B.S.P. (Male)	1/2英寸英制 陽螺紋 1/2" B.S.P. (Male)	8.8毫米石油氣膠喉/ 1/2英寸英制陽螺紋 8.8 mm LPG Hose/ 1/2" B.S.P. (Male)	1/2英寸英制 陽螺紋 1/2" B.S.P. (Male)
機身尺寸 Product Dimensions	(H) 150 mm (W) 580 mm (D) 380 mm		(H) 150 mm (W) 860 mm (D) 500 mm	

保用條款

此保用提供德國寶產品之機件在正常使用下壹年保用(自購買日起計算)。包首年上門服務，零件保用五年，玻璃除外。

* 貴戶須在購機十天內，以下列其中一種方式向本公司登記資料，保用手續方正式生效：

1) 填妥本公司網頁內之保用登記表格

www.germanpool.com/warranty

2) 填妥保用登記卡，郵寄至本公司。



Warranty Terms & Conditions

Under normal operations, the product will receive a 1-year full warranty provided by German Pool (effective starting from the date of purchase). And 5-year parts warranty except the glass panel.

* This warranty is not valid until Customer registration information is received by our Service Centre within 10 days of purchase via one of the following methods:

1) Visit our website and register online:

www.germanpool.com/warranty

2) Complete all fields on the attached Warranty Card and mail it back to our Customer Service Centre.



另請填妥以下表格並與正本發票一併保存，以便維修時核對資料。用戶提供之所有資料必須正確無誤，否則免費保用將會無效。 Please fill out the form below. This information and the original purchase invoice will be required for any repairs. Warranty will be invalid if information provided is found to be inaccurate.

型號 Model No. : GP11-1-LG GP11-2-LG GP11-2M-LG GP11-3-LG
 GP11-1-TG GP11-2-TG GP11-2M-TG GP11-3-TG

機身號碼 Serial No. : _____ 發票號碼 Invoice No. : _____

購買商號 Purchased From : _____ 購買日期 Purchase Date : _____

如欲獲取更多有關本產品最新資訊及食譜，歡迎瀏覽本公司網站。
For additional product information and cooking recipes, please visit our website.

www.germanpool.com

1. 未能出示購買發票正本者，將不獲免費維修服務。
2. 用戶應依照說明書的指示操作。本保用並不包括：
 - 上門安裝、檢驗、維修或更換零件之人工以及一切運輸費用；
 - 因天然與人為意外造成的損壞（包括爐頭清潔不當引致阻塞的問題、運輸及其他）；
 - 電源接合不當、不依說明書而錯誤或疏忽使用本機所引致之損壞。
3. 於下列情況下，用戶之保用資格將被取消：
 - 購買發票有任何非認可之刪改；
 - 產品被用作商業或工業用途；
 - 產品經非認可之技術人員改裝或加裝任何配件；
 - 機身編號被擅自塗改、破壞或刪除。
4. 總代理有權選擇維修或更換配件或其損壞部份。
5. 產品一經被轉讓，其保用即被視作無效。

客戶服務及維修中心

中國香港

香港九龍灣啟興道1-3號九龍貨倉10樓

電話：+852 2333 6249 傳真：+852 2356 9798

電郵：repairs@germanpool.com

中國內地

全國服務熱線：+86 400 830 3838

傳真：+86 0757 2336 0284

電郵：repairs@germanpool.com.cn

中國澳門

澳門俾利喇街145號寶豐工業大廈3樓

電話：+853 2875 2699 傳真：+853 2875 2661

電郵：repairs@germanpool.com

1. Customer who fails to present original purchase invoice will be disqualified for free warranty.
2. Customer should always follow the operating instructions. This warranty does not apply to:
 - labour costs for on-site installation, check-up, repair, replacement of parts and other transportation costs;
 - Damages caused by accidents of any kind (including blockages/obstructions caused by poor cleaning of the stove, transport and others);
 - operating failures resulted from incorrect voltage, improper operations and unauthorized installations or repairs.
3. This warranty is invalid if:
 - purchase invoice is modified by unauthorized party;
 - product is used for any commercial or industrial applications;
 - product is repaired or modified by unauthorized personnel, or unauthorized parts are installed;
 - serial number is modified, damaged or removed from the product.
4. German Pool will, in its discretion, repair or replace any defective part.
5. This warranty will be void if there is any transfer of ownership from the original purchaser.

Customer Service & Repair Centre

Hong Kong, China

10/F, Kowloon Godown, 1-3 Kai Hing Road, Kowloon Bay,

Kowloon, Hong Kong

Tel : +852 2333 6249 Fax : +852 2356 9798

Email : repairs@germanpool.com

Mainland China

China Customer Service Hotline : +86 400 830 3838

Fax : +86 0757 2336 0284

Email : repairs@germanpool.com.cn

Macau, China

3/F, Edificio Industrial Pou Fung, 145 Rua de Francisco Xavier Pereira, Macau

Tel : +853 2875 2699 Fax : +853 2875 2661

Email : repairs@germanpool.com

GERMAN POOL 德國寶

德國寶(香港)有限公司 German Pool (Hong Kong) Limited

**中國香港
Hong Kong, China**

香港九龍土瓜灣馬頭角道116號
新寶工商中心2期113號室
Room 113, Newport Centre Phase II, 116 Ma Tau
Kok Road, Tokwawan, Kowloon, Hong Kong.
電話 Tel: +852 2773 2888
傳真 Fax: +852 2765 8215

**中國內地
Mainland China**

廣東省佛山市順德區
大良五沙工業區新翔路8號
8th, Xinxiang Road, Wusha Industrial Park,
Daliang, Shunde, Foshan, Guangdong
電話 Tel: +86 757 2388 1896
傳真 Fax: +86 757 2980 8349

**中國澳門
Macau, China**

澳門俾利喇街145號
寶豐工業大廈3樓
3/F, Edificio Industrial Pou Fung,
145 Rua de Francisco Xavier Pereira, Macau
電話 Tel: +853 2875 2699
傳真 Fax: +853 2875 2661



香港(S MARK)
安全認證



中國授權/家電行業
十大影響力品牌



CEO非凡品牌大賞



香港優質商號



香港工商業獎



2007
最具潛質
創建品牌企業獎



香港中小企業
最佳拍檔大獎



香港消費者推薦品牌



香港「O型」
優質服務證書



香港最佳名牌
HONG KONG
PREMIER BRAND



香港名牌十年成就獎
HONG KONG TOP BRAND TEN YEAR
ACHIEVEMENT AWARD

© 版權所有。未獲德國寶授權，不得翻印、複製或使用本說明書作任何商業用途，違者必究。

© All rights reserved. Copying, reproducing or using the contents of this manual is not allowed without prior authorization from German Pool, violators will be prosecuted.

www.germanpool.com