

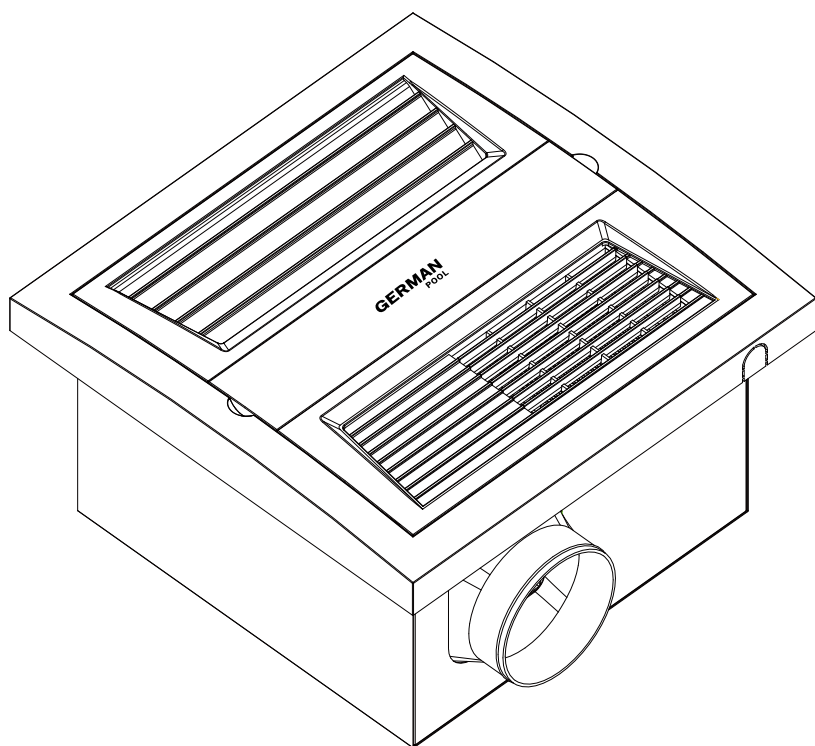
GERMAN
POOL



德國寶

多功能浴室乾衣暖風機
Multi-Purpose Bathroom Heater

HTB-816



在使用之前請詳細閱讀「使用說明書」及「保用條款」，並妥為保存。
Please read these instructions and warranty information carefully
before use and keep them handy for future reference.

使用說明書 USER MANUAL

目錄

注意事項 03

產品結構 04

安裝說明 04

操作說明 10

清潔與保養 11

技術規格 11

保用條款 23

注意事項

重要說明

為安全起見，使用產品前請先細閱本說明書，並保存說明書，以便作參考之用。

本產品只供家居使用。請必須依照說明書內的指示操作。

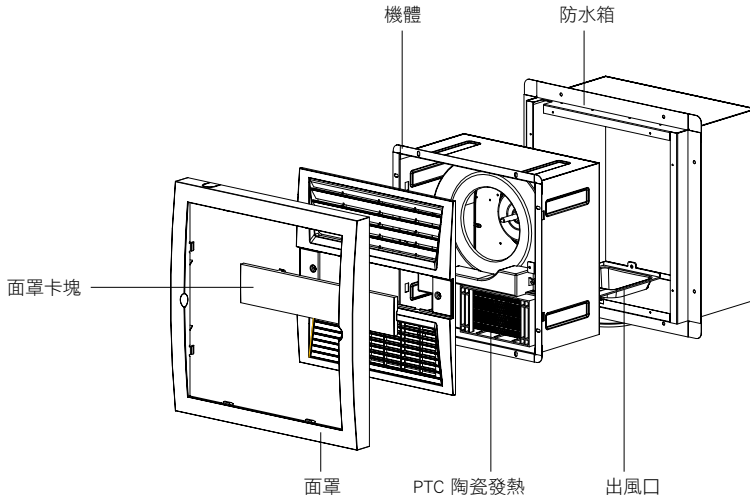
安裝和操作之前請認真閱讀本說明，未能遵守本說明可能導致人身傷害或財產損失。

為降低火災，觸電或受傷等風險，遵守以下指示：

1. 在製造商的指示下使用該產品，如果你有任何問題，請聯繫製造商或被授權經銷商。
2. 安裝工作和電氣接線必須由符合當地法律法規的，擁有的相關資格的人員進行操作。
3. 切割或者鑽入牆壁或天花板的時候，請注意不要損壞電線和其他隱藏的工具。
4. 在維修或清潔產品之前，請務必開關關閉產品的所有功能，並切斷電源，以防止開關意外接通電源。
5. 使用本產品時，請確認產品所標明的使用電壓，是否與接地插座電壓一致，並切勿與其他電器共用電源插頭。
6. 切勿於本產品操作時將手指或外物伸入進出風柵，以免燙傷或造成危險。
7. 切勿對進出風柵澆水，以免引起短路或觸電。
8. 手濕時切勿接觸進出風柵或操作面板，以免觸電。
9. 清潔、維修或更換本產品前，必須先切斷電源。
10. 切勿使用任何稀釋劑或任何腐蝕性物質清潔本產品，以免損壞本產品。
11. 切勿頻繁開啟或關掉功能鍵，以免影響正常操作，長時間不使用本產品請切斷電源。
12. 本產品不適宜讓兒童、身體或心智殘障、缺乏經驗或知識的人士操作，除非該人士得到負責保護其安全的人士之監督或指引。
13. 兒童必須被監督，切勿讓兒童使用、觸摸或把玩本產品。
14. 如電源線損壞或發生其他故障，切勿自行拆卸、修理或改裝，必須由本公司或符合資格的專業技術人員更換或維修。
15. 切勿使用受損壞的電線或電源插頭，以防觸電、引起短路或火災。
16. 暖風機不能直接安裝在插座下方。
17. 暖風機必須安裝在離地面至少2.3米的位置。

產品結構

機身



裝箱明細及配件

主機	防水箱	風格柵	風管 (1.5m)	互聯軟線 (四芯)(4.5m)	開關 (三聯)	抱箍	電源線 (1.5m)	附件	說明書
1	1	1	1	1	1	2	1	1	1

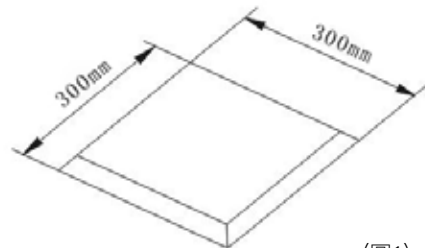
安裝說明

安裝本體前，可能要進行電源的連接工程。當提供的電源線不夠長時，請先將機體從防水箱中取出，完成電源連接作業。

天花式安裝

1. 天花板開孔

在浴室天花板上開口，基本安裝的開口尺寸：300x300mm。（見圖1）

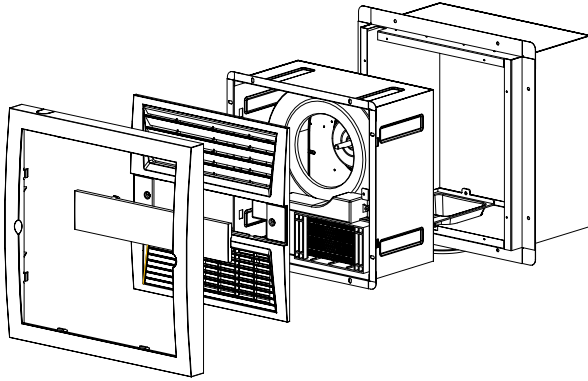


(圖1)

安裝說明

2. 拆除防水箱（見圖2）

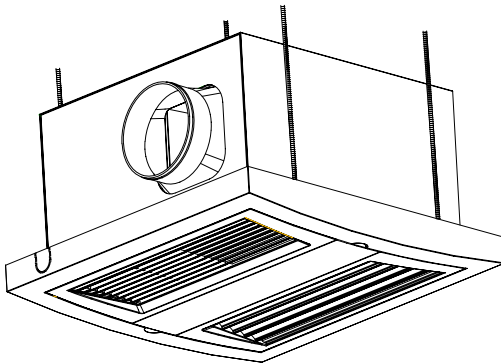
- （1）打開面罩上的面罩卡塊，卸下固定面罩的2顆自攻螺釘，然後卸下面罩。
- （2）卸下固定整個機體的4顆自攻螺釘，將機體小心地從防水箱中拉出。



（圖2）

3. 安裝防水箱（吊掛式）

將防水箱用四根螺絲杆（建議使用M8螺絲杆）穩固吊掛於天花板成水平狀態，與四邊牆壁的距離應大於200mm。（見圖3）



（圖3）

安裝說明

4. 安裝出風口

固定好防水箱之後，將出風口用兩顆螺絲固定在防水箱開孔處。

5. 連接風管

將出風口與風管的一端用抱箍或者捆紮帶固定，風管另一端伸展至戶外。如有需要，另一端可用抱箍或者捆紮帶連接在風格柵上。

6. 安裝機體

將機體對準出風口插入防水箱之中，然後用自攻螺釘再將機體固定在防水箱上。

7. 安裝面罩

用螺釘將面罩固定在機體上，最後卡入面罩卡塊。

8. 固定開關

接通電源之後，按下開關板上的各個功能鍵，確認產品的各項功能正常，然後將開關固定在牆壁上，固定位置應能有效防止水濺。

注意

開關不宜安裝於過於接近浴缸或淋浴設備的位置。

掛牆安裝方式

根據不同的安裝空間，合理佈置主機、防水箱以及開關的安裝位置。

1. 拆除防水箱（見圖2）

- （1）打開面罩上的面罩卡塊，卸下固定面罩的2顆自攻螺釘，然後卸下面罩。
- （2）卸下固定整個機體的4顆自攻螺釘，將機體小心地從防水箱中拉出。

2. 防水箱鑽孔

在防水箱底部用電鑽打出4個的 $\phi 5$ 安裝孔，四個角上各一個。（見圖4）

3. 固定防水箱

將防水箱放置於牆上適當高度，出風口向下，根據防水箱上已經鑽出的孔與牆體進行配打，在牆體上鑽出 $\phi 8$ 的孔，將 $\phi 4$ 塑膠膨脹敲入牆體上的孔洞之中，再將防水箱固定於牆體之上。



(圖4)



(圖5)

安裝說明

4. 安裝出風口

固定好防水箱之後，將出風口用兩顆螺絲固定在防水箱開孔處。(見圖5)

5. 安裝機體

將機體對準出風口插入防水箱之中，然後自攻螺釘再將機體固定在防水箱上。

6. 安裝面罩

用螺釘將面罩固定在機體上，最後卡入面罩卡塊。

7. 固定風管

將風管插入防水箱的出風口處，用抱箍或捆紮帶固定，風管末端延展至戶外。如有需要，另一端可用抱箍或者捆紮帶連接在風格柵上。

8. 固定開關

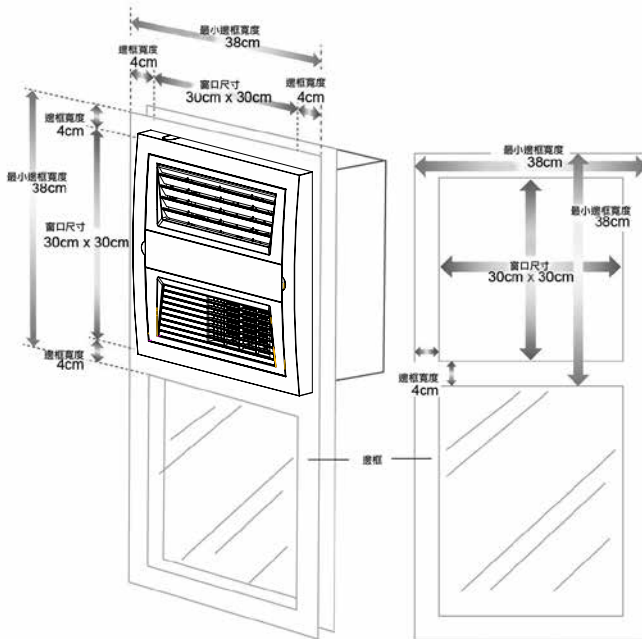
接通電源之後，按下開關板上的各個功能鍵，確認產品的各項功能正常，然後將開關固定在牆壁上，固定位置應能有效防止水濺。

注意

在避免水濺的前提下，盡量將主機安裝在較低位置，便於暖氣流通。

窗式安裝方式

開孔尺寸

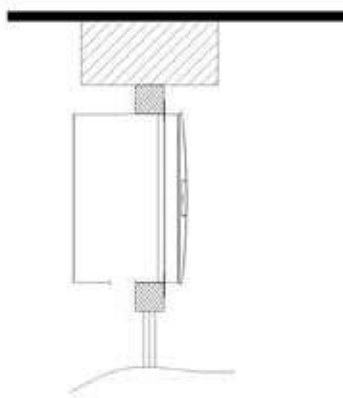


安裝說明

根據不同的安裝空間，合理佈置主機、開關的安裝位置。

1. 玻璃開孔尺寸：約300mm x 300mm，可按實際情況進行適當調整。
2. 將防水箱連同機體一同推入鋁框開孔處，用螺絲將防水箱固定在鋁框上，然後用玻璃膠填充周邊進行防水處理。（見圖6）

注意：出風口孔洞方向朝下。



(圖6)

3. 固定開關

接通電源之後，按下開關板上的各個功能鍵，確認產品的各項功能正常，然後將開關固定在牆壁上，固定位置應能有效防止水濺。

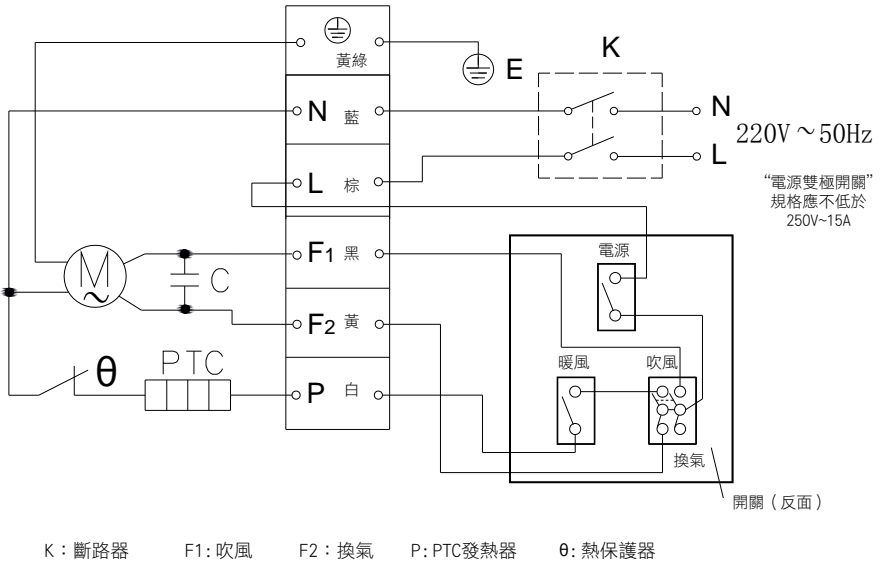
注意

在避免水濺的前提下，盡量將主機安裝在較低位置，便於暖氣流通。

安裝說明

接線圖

如需要重新接線，請**嚴格遵守**接線圖進行連接。

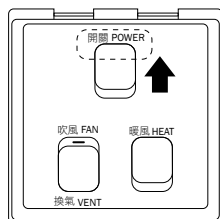


警告

- 本產品安裝應盡量遠離窗簾和其他可燃材料，以避免火災等危險；
- 本產品安裝應避免在浴缸或淋浴區可觸及到開關；
- 通風管應避免與燃氣熱水器排氣管接入同一煙道，以防危險氣體的滲入；
- 接線應由專業電工完成；
- 安裝時電源線必須保持在斷電狀態；
- 請務必使用本產品所配互聯軟線及開關等配件安裝；
- 電源線必須能承受10A以上的負載；
- 本產品應可靠接地。

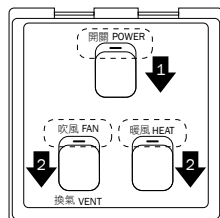
操作說明

本產品為家用浴室取暖器，兼有吹風、換氣功能。



原始備用狀態

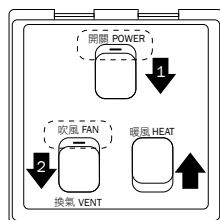
「開關」向上按，隱藏橙色指示，所有功能關閉。



暖風功能 吹出暖風

1. 「開關」鍵向下按，橙色指示朝上。
2. 「吹風」及「暖風」鍵同時向下按，兩個橙色指示均同時朝上。

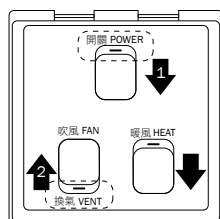
注意：必須開啟「吹風」功能方有暖風。



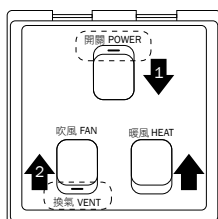
吹風功能 室溫吹風

1. 「開關」鍵向下按，橙色指示朝上。
2. 「吹風」鍵向下按，橙色指示朝上。

注意：必須關掉暖風功能。請把「暖風」鍵向上按以隱藏「暖風」功能的橙色指示。



或



換氣功能 沒有暖風效果

1. 「開關」鍵向下按，橙色指示朝上。
2. 「吹風」鍵向上按，橙色指示朝下。

注意：換氣過程中，「暖風」功能自動關閉，因此「暖風」按鍵位置不影響換氣運作。

警告

- 使用過程中絕對不可直接接觸出風口，以免高溫燙傷；
- 如在使用中發現異常情況，應立即斷開電源，通知當地的代理商或特約維修單位的人員前來處理；
- 使用時請不要頻繁開啟和關斷開關，長時間(6小時)不用應斷開總電源；
- 老人、小孩和行動不便人員應在家人照看和指導下使用本產品。

清潔與保養

1. 清潔前必須斷開電源。
2. 清潔時應用浸潤中性清潔劑的軟布輕輕擦拭面罩表面。
3. 所有電氣元件不能與水接觸。

注意：不可用汽油或有腐蝕性的化學試劑清洗機器的零部件，不能用高於60°C的熱水浸洗塑膠件。

技術規格

型號	HTB-816
電壓(V)	220 V
頻率(HZ)	50 Hz
功率(W)	1,630 W
主機尺寸	(H) 180mm (W) 267mm (D) 267mm
開孔尺寸	(H) 165mm (W) 300mm (D) 300mm
淨重	4.0 kg
連防水箱淨重	7.4 kg

- 本產品規格及設計如有變更，恕不另行通知。
- 中英文版本如有出入，一概以中文版為準。
- 本產品使用說明書以www.germanpool.com 網上版為最新版本。

Content

Warning 13

Product Structure 14

Installation Instructions 14

Operating Instructions 21

Care & Maintenance 22

Technical Specifications 22

Warranty Terms & Conditions 23

Warning

Important

For safety purposes, read the instructions carefully before using the appliance. Retain the User Manual for future reference.

The appliance is designed for domestic use only, and may only be installed and operated in accordance with this User Manual.

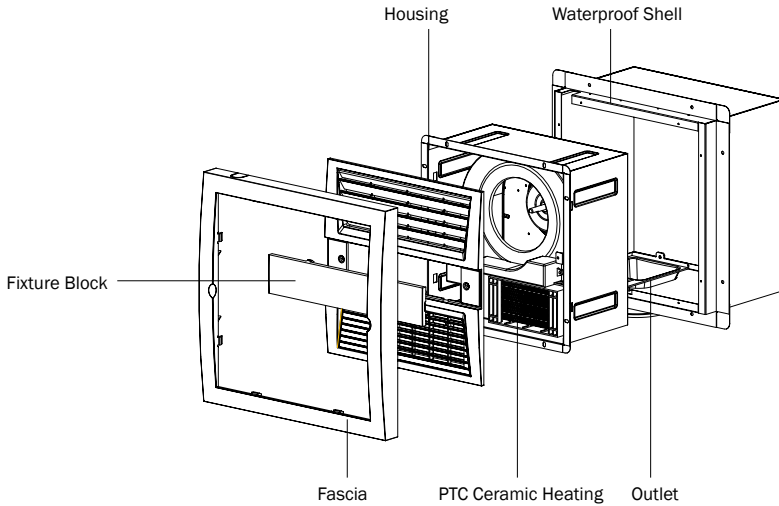
Please read these instructions carefully before attempting to install or operate this product. Failure to comply with instructions could result in personal injury or property damage.

To reduce the risk of fire, electric shock or injury to persons, observe the following:

1. Use this unit only in the manner intended by the manufacturer. If you have any questions, please contact the manufacturer or authorized distributors.
2. Installation work and electrical wiring must be done by a qualified person(s) in accordance to all applicable codes and standards.
3. When cutting or drilling into wall or ceiling, do not damage electrical wiring and other hidden utilities.
4. Before servicing or cleaning this unit, switch power off at service panel and lock the service disconnecting means to prevent power from being switch on accidentally. When the service disconnecting means cannot be locked, securely fasten a prominent warning device, such as a tag, to the service panel.
5. Before plugging in the appliance, check that the electrical rating shown on the rating label corresponds with your house's electricity supply.
6. Do not insert fingers or other objects into the fascia when the appliance is in operation, in order to avoid burns or danger.
7. Do not spray water on the fascia to avoid short circuit or electric shock.
8. Do not touch the fascia or the control panel with wet hands to avoid electric shock.
9. Always unplug the unit before cleaning \ repairing or replacing the appliance.
10. Do not clean the appliance with thinner or any corrosive materials to avoid damaging the unit.
11. Do not turn on and off the appliance too often to avoid malfunction. Disconnect the power if the appliance is not in use for a long period of time.
12. The appliance is not intended for use by persons, including children, with reduced physical, sensory or mental capabilities, or any individual lacking experience and knowledge unless they have been given supervision or instruction by a person responsible for their safety.
13. Children should be under supervision to ensure that they do not play with the appliance.
14. If the supply cord is damaged or other troubles appear, please contact our Repair Centre or qualified technicians for help. Do not disassemble, repair, or modify the appliance by yourself.
15. Do not operate the appliance when the power cord or plug is damaged, in order to avoid electric shock, short circuit, or fire hazard.
16. The heater must not be located immediately below a socket outlet.
17. The heater must be installed at least 2.3m above the floor.

Product Structure

Main Unit



Product Content & Accessories

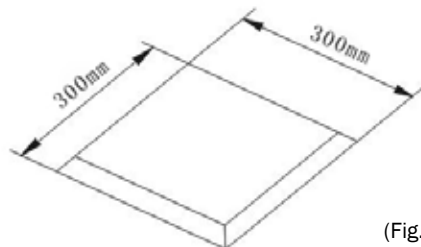
Main Unit	Waterproof Shell	Grill	Duct (1.5m)	Interconnecting Cord(4.5m)	Switch	Duct Hoop	Power cord(1.5m)	Accessories Pouch	User Manual
1	1	1	1	1	1	2	1	1	1

Installation Instructions

Power connection might be needed before installing the product. When the power cord provided is not long enough, please remove the machine from the waterproof shell to redo power supply connection.

Ceiling Mounting

1. Cut hole
Cut a hole on the ceiling, sized about 300mm x 300mm. (Fig.1)



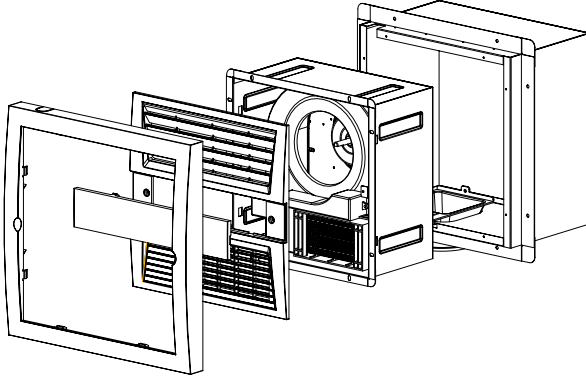
(Fig.1)

Specifications are subject to change without prior notice. Refer to www.germanpool.com for the most up-to-date version.

Installation Instructions

2. Remove waterproof shell (Fig. 2)

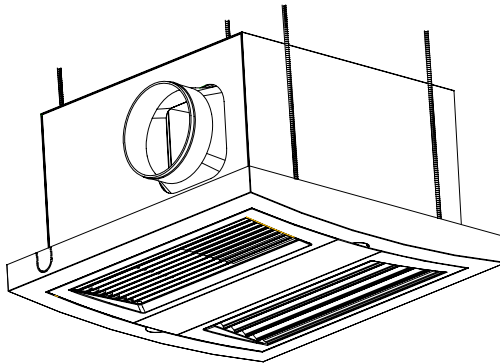
- (1) Remove the fixture block from the fascia carefully. Unfix the two screws on the fascia, and remove the fascia from the housing.
- (2) Unfix the four screws of the waterproof shell, and remove it from the main unit.



(Fig.2)

3. Install waterproof shell (ceiling suspension)

Use 4 long bolts (Long M8 bolts is recommended) to fix the waterproof shell on the ceiling, keep it firmly hangs on the ceiling steadily and levelly, the distance between the heater and surrounding walls should be at least more than 200mm. (Fig. 3)



(Fig.3)

Installation Instructions

4. Install outlet

Install the outlet with 2 screws on the waterproof shell.

5. Connect duct

Insert the ventilation duct into the outlet duct; fix them with a hoop or cable tie. If necessary, the other end could be connected to the air grille and also fix with the hoop or a cable tie.

6. Mount unit

Put the housing into the waterproof shell, make sure the slot is on the right place and could install on the outlet. Fix the housing to the waterproof shell with screws.

7. Install facial plate

Return the fascia to the housing and fix it with screws, and return the fixture block to the fascia.

8. Fix Switch

After turning on the power supply, press the switches to make sure every function works. Then, fix the switch on the wall. The fixed position should be where water splashes can be avoided.

Note:

The switch should not be installed in an area directly accessible from the bathtub or shower.

Wall Mounting

For different installation site, arrange the mounting position of the machine and switch accordingly.

1. Remove waterproof shell (Fig. 2)

- (1) Remove the fixture block from the fascia carefully. Unfix the two screws on the fascia, and remove the fascia from the housing.
- (2) Unfix the four screws of the waterproof shell, and remove it from the housing.

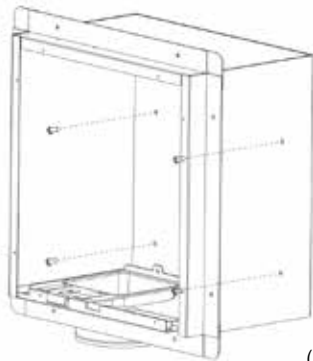
2. Drill waterproof shell

Using an electric drill, drills four holes on the bottom of the waterproof shell, sized Ø5. Four holes should be on each corner. (Fig. 4)

3. Install waterproof shell

Put the waterproof shell with outlet on appropriate height on the wall; make sure the outlet is on the downside. According to the holes drilled on the waterproof shell drill four Ø8 holes on the wall, knock Ø4 plastic expansion screws into the wall, then fix the waterproof shell on the wall with screws.

Installation Instructions



(Fig.4)



(Fig.5)

4. Mount the outlet

Fix the outlet with 2 screws into the holes of the waterproof shell. (Fig. 5)

5. Mount the housing

Put the unit into the waterproof shell, make sure the slot is on the right place and could install on the outlet. Fix the unit to the waterproof shell with screws.

6. Install the fascia

Return the fascia to housing and fix it with screws, and return the fixture block to the fascia.

7. Connet duct

Connect one end of the duct (100mm in diameter) to the outlet; fix it with a hoop or cable tie.

And then extend the duct to the outdoors through the window. If necessary, the outdoor end could be connect to the grill by a hoop or cable tie and then fix the grill on the wall outside.

8. Fix Switch

After turning on the power supply, press the switches to make sure every function works. Then, fix the switch on the wall. The fixed position should be where water splashes can be avoided.

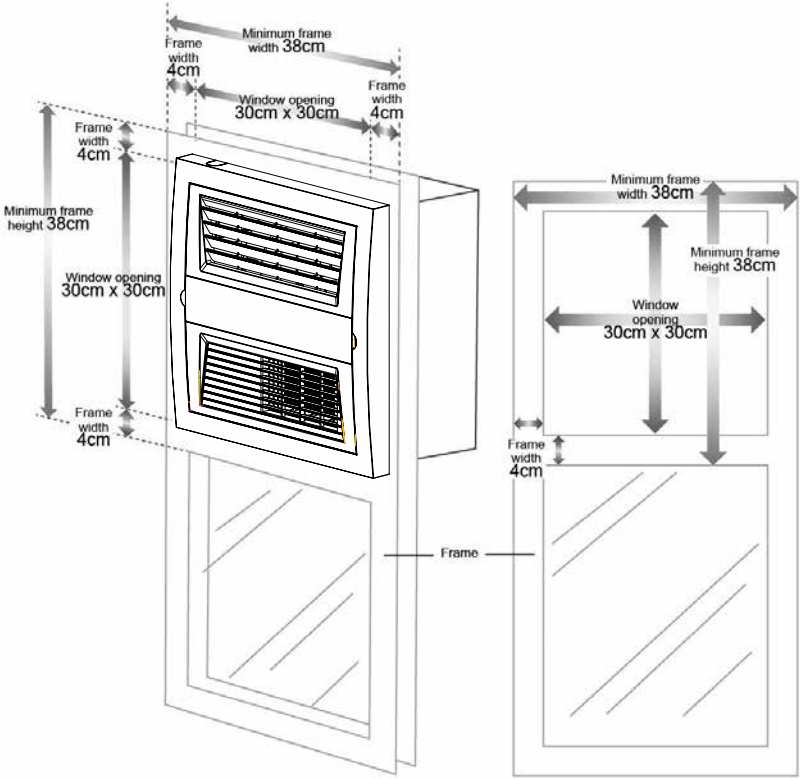
Note:

On the premise of avoiding water splashes, install the machine in a position as low as possible to allow an easy flow of hot air.

Installation Instructions

Window Mounting

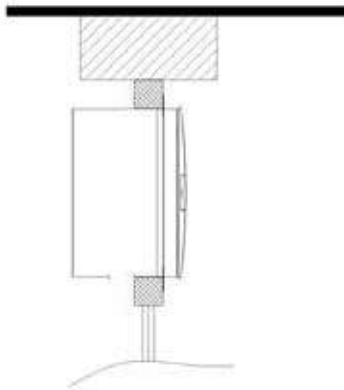
Window Opening Cut-Out Dimensions



Installation Instructions

Instal the main body and the switch in accordance to different installation situation.

1. The opening of the window should be around 300mm x 300mm. Adjust this reserved size according to the actual situation as necessary.
2. Push the waterproof shell together with the machine into the reserved hole. Fix the waterproof shell with screws on the aluminum frame. And then use glass glue filling to seal. (Fig. 6)
Note: Make sure the outlet hole faces downward.



(Fig. 6)

3. Fix Switch

After turning on the power supply, press the switches to make sure every function works. Then, fix the switch on the wall. The fixed position should be where water splashes can be avoided.

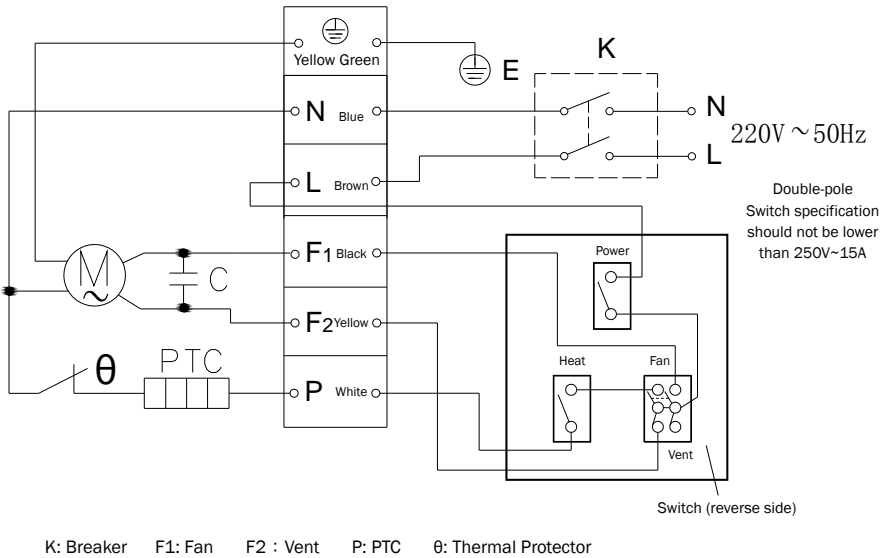
Note:

On the premise of avoiding water splashes, install the machine in a position as low as possible to allow an easy flow of hot air.

Installation Instructions

Wiring

If the rewiring is needed, please make sure you connect the wires **exactly** the same as the wiring diagram below.

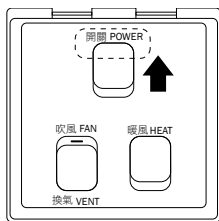


Warning

- This unit must be properly grounded.
- A new power cord should be used when to install this unit, the new power cord must stand a minimum of 10A load.
- The power cord must be supplied with a circuit breaker which should have a minimum of 3mm off-contact distance.
- Make sure that all electrical connections on the terminal block must be the effective connections, since poor connections may produce the electrical sparks to cause a fire during the long time of operations. The installing person(s) should check all electrical connections, fix or re-fix firmly all the screws on the terminal block to guarantee that all wiring connections are effective connections, either made at factory or at site/home.
- This unit should not be installed near the curtains or other flammable materials, to avoid any risk of fire.

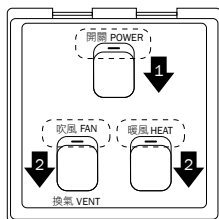
Operating Instructions

This unit combines the functions of fan heating, fan and ventilation.



Power Off Mode

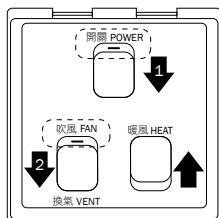
Push “Power” switch upwards. Orange indicator is hidden. All functions are turned off.



Heat Mode Fan heating

1. Push “Power” switch downwards. Orange indicator points upwards.
2. Push both “Fan” and “Heat” switches downwards. Orange indicators point upwards.

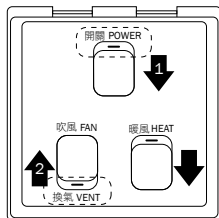
Note: “Fan” function must be turned on for heating.



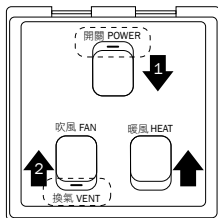
Fan Mode Fanning at atmospheric temperature

1. Push “Power” switch downwards. Orange indicator points upwards
2. Push “Fan” switch downwards. Orange indicator points upwards.

Note: “Heat” function must be turned off. Please push “Heat” switch upwards to hide its orange indicator.



or



Vent Mode No heating

1. Push “Power” switch downwards. Orange indicator points upwards.
2. Push “Fan” switch upwards. Orange indicator points downwards.

Note: Heating is automatically turned off during ventilation. The position of the “Heat” switch does not affect the “Vent” function.

Warning

- Do not touch the air outlet to avoid burns or danger.
- Shut off the electrical power urgently when any abnormalities occur during operations. Call the authorized dealer or electrician for help.
- Do not flick the switches too frequently. Shut off the electrical power if not in use if not in use (for 6 hours or more).
- Seniors or children should be under guide of a family member when they use this unit.

Care & Maintenance

1. Shut off the electrical power before cleaning.
2. Clean the unit with a soft cloth soaked and a neutral detergent.
3. All electrical components should be away from water.

Note: Do not use any petroleum based cleaners or corrosive materials to clean any machine parts.
Do not clean using hot liquids over 60°C.

Technical Specifications

Model	HTB-816
Voltage (V)	220 V
Frequency (Hz)	50 Hz
Power (W)	1,630 W
Product Dimensions	(H) 180mm (W) 267mm (D) 267mm
Cut-Out Dimensions	(H) 165mm (W) 300mm (D) 300mm
Net Weight	4.0 kg
Net Weight with Waterproof Shell	7.4 kg

- Specifications are subject to change without prior notice.
- If there is any inconsistency or ambiguity between the English version and the Chinese version, the Chinese version shall prevail.
- Refer to www.germanpool.com for the most up-to-date version of the User Manual.

請填妥以下空格並與發票一併保存，以便維修時核對資料。用戶提供本公司之所有資料必須正確無誤，否則免費保用將會無效。
Please fill out the form below. This information and the purchase invoice will be required for any repairs. Warranty will be invalid if information provided is found to be inaccurate.

型號 Model No. : **HTB-816**

機身號碼 Serial No. : _____ 發票號碼 Invoice No. : _____

購買商號 Purchased From : _____ 購買日期 Purchase Date : _____

保用條款

此保用提供德國寶產品之機件在正常使用下一年保用(自購買日起計算)。

Warranty Terms & Conditions

Under normal operations, the product will receive a 1-year full warranty provided by German Pool (effective starting from the date of purchase).

* 貴戶須在購機十天內，以下列其中一種方式向本公司登記資料，保用手續方正式生效：

- 1) 填妥本公司網頁內之保用登記表格
www.germanpool.com/warranty。
- 2) 填妥保用登記卡，並連同購機發票之副本一併郵寄到客戶服務部 (本公司將不發還發票副本或登記卡)。

* This warranty is not valid until Customer's registration information is returned to and received by our Service Centre within 10 days of purchase via one of the following methods:

- 1) Visit our website and register online:
www.germanpool.com/warranty.
- 2) Complete all fields on the attached Warranty Card and mail it back to our Customer Service Centre along with a photocopy of the purchase invoice (Warranty Card and invoice copy will not be returned to Customer).

1. 未能出示購買發票正本者，將不獲免費維修服務。

2. 用戶應依照說明書的指示操作。本保用並不包括：
- 安裝、上門檢驗、更換零件之人工或運輸費用等；
 - 因天然與人為意外造成的損壞 (包括運輸及其他)；
 - 任何塑膠附件及輔助裝置。
 - 電源接合不當、不依說明書而錯誤或疏忽使用本機所引致之損壞。

3. 於下列情況下，用戶之保用資格將被取消：

- 購買發票有任何非認可之刪改；
- 產品被用作商業或工業用途；
- 產品經非認可之技術人員改裝或加裝任何配件；
- 機身編號被撞自塗改、破壞或刪除。

4. 總代理有權選擇維修或更換配件或其損壞部份。

5. 產品一經被轉讓，其保用即被視作無效。

1. Customer who fails to present original purchase invoice will be disqualified for free warranty.

2. Customer should always follow the operating instructions. This warranty does not apply to:
- labour costs for installation, on-site check-up, replacement of parts and other transportation costs;
 - damages caused by accidents of any kind (including transport and others);
 - Plastic parts and accessories
 - operating failures resulted from incorrect voltage, improper operations and unauthorized installations or repairs.

3. This warranty is invalid if:

- purchase invoice is modified by unauthorized party;
- product is used for any commercial or industrial applications;
- product is repaired or modified by unauthorized personnel, or unauthorized parts are installed;
- serial number is modified, damaged or removed from the product.

4. German Pool will, in its discretion, repair or replace any defective part.

5. This warranty will be void if there is any transfer of ownership from the original purchaser.

客戶服務及維修中心

德國寶(香港)有限公司

香港九龍紅磡暢通道1號

中旅貨運物流中心8樓

電話：+852 2333 6249

傳真：+852 2356 9798

電郵：repairs@germanpool.com

Customer Service & Repair Centre

German Pool (Hong Kong) Limited

8/F, China Travel (Cargo) Logistics Centre

1 Cheong Tung Road

Hung Hom, Kowloon, Hong Kong

Tel : +852 2333 6249

Fax : +852 2356 9798

Email : repairs@germanpool.com

此保用只適用於香港

This warranty is valid only in Hong Kong

**GERMAN
POOL**



德國寶

德國寶(香港)有限公司 German Pool (Hong Kong) Limited

中國香港 Hong Kong, China

香港九龍土瓜灣馬頭角道116號
新寶工商中心2期113號室
Room 113, Newport Centre Phase II, 116 Ma Tau
Kok Road, Tokwawan, Kowloon, Hong Kong.
電話 Tel: +852 2773 2888
傳真 Fax: +852 2765 8215

中國內地 Mainland China

廣東省佛山市順德區
大良南國東路德順廣場三層
3/F, Takshun Plaza, Nanguo East Road,
Shunde, Foshan, Guangdong
電話 Tel: +86 757 2980 8308
傳真 Fax: +86 757 2980 8318

中國澳門 Macau, China

澳門宋玉生廣場263號中士
大廈15樓1座
Alameda Dr. Carlos D'Assumpcao No. 263,
Edif. China Civil Plaza, 15 Andar, I. Macau
電話 Tel: +853 2875 2699
傳真 Fax: +853 2875 2661



香港名牌十年成就獎
HONG KONG TOP BRAND TEN YEAR
ACHIEVEMENT AWARD



香港卓越名牌
HONG KONG
PREMIER BRAND



2007
CERTIFICATE OF AWARD FOR THE BEST BRAND ENTERPRISE
得獎品牌企業



中小企業
最佳拍檔大獎



© 版權所有。未獲德國寶授權，不得翻印、複製或使用本說明書作任何商業用途，違者必究。

© All rights reserved. Copying, reproducing or using the contents of this manual is not allowed without prior authorization from German Pool, violators will be prosecuted.

www.germanpool.com