

UVC Anti-Mite  
Cordless Vacuum Cleaner

MKC-306



Online Warranty Registration



Please read these instructions and warranty information carefully before use and keep them handy for future reference.

USER MANUAL

請即進行保用登記!

有關保用條款細則，請看本說明書最後一頁。

---

Please register your warranty information now!

For Warranty Terms & Conditions,  
please refer to the last page of this user manual.

# Table of Contents

---

Warnings & Safety Precautions 04

Product Structure 05

Operation Instructions 06

Cleaning & Maintenance 09

Troubleshooting 10

Technical Specification 12

Warranty Terms & Conditions 23

# Warnings & Safety Precautions

## **WARNING!**

Read all instructions carefully before using this product.

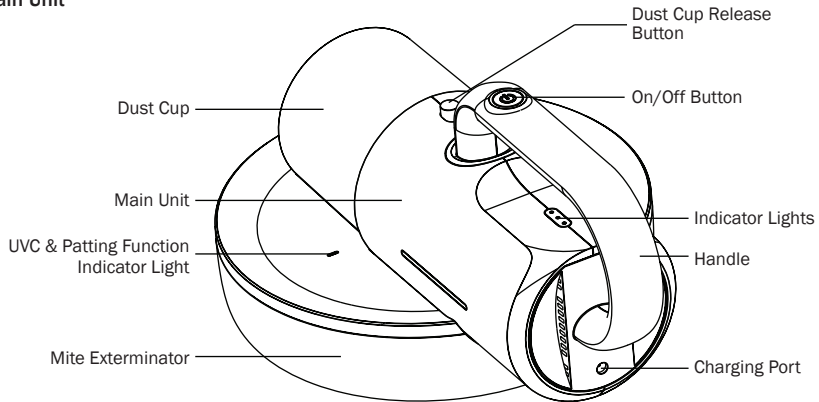
- This product is for domestic indoor use only. If this product is used for any commercial, industrial, rental or other purposes, product warranty will be VOIDED.
- This appliance is not intended for use by persons (including children) with reduced physical, sensory or mental capabilities, or lack of experience and knowledge, unless they have been given supervision or instruction concerning use of the appliance by a person responsible for their safety.
- Children should be supervised to ensure that they DO NOT play with the appliance.
- Check the voltage indicated on the rating label before using this product.
- Unplug this product from the power source before cleaning and maintenance.
- Contact German Pool authorized service technician for repair or maintenance of this product.
- If the power charger is damaged, contact German Pool Customer Service and Repair Centre to purchase a genuine replacement charger.
- For the purposes of recharging the battery, only use the detachable supply unit provided with this appliance.
- This appliance contains batteries that are only replaceable by skilled persons.

1. This product is only for use on indoor surfaces such as beds, sofas, blankets, etc. DO NOT use for vacuuming industrial debris and heavy metal dust.
2. This product is not waterproof and is intended for indoor use only. DO NOT expose it to rain, water, or use it in damp areas such as bathrooms, toilets, laundry rooms, etc. DO NOT use it to vacuum water or moist dust to avoid short circuit or electric shock.
3. DO NOT use this product in potentially hazardous environments, such as gas stations, oil depots, or chemical plants where flammable or explosive materials are present.
4. DO NOT use this product to clean toner used inside laser printers or copiers, to avoid causing equipment damage, fire, or explosion.
5. DO NOT place this product near high-temperature sources such as ovens or fireplaces, to avoid causing deformation or damage to the casing, or lead to battery explosion.
6. DO NOT use this product to vacuum hot substances (such as cigarette butts, coals, matches, etc.), hazardous substances (such as sulfuric acid, corrosives, etching agents, etc.), ultra-fine substances (such as lime, cement, or toner, etc.) flammable chemicals (such as gasoline, kerosene, diesel, paint, alcohol, cleaning agents, etc.), or sharp objects (such as glass, iron filings, pins, etc.)
7. If unusual noise from the motor or abnormally high temperature at the air outlet is detected during use, stop using this product immediately and contact German Pool Customer Service and Repair Centre.
8. If this product malfunctions, DO NOT attempt to repair it yourself. Contact German Pool Customer Service and Repair Centre for assistance.
9. Use only with this product (MKC-306) supply unit (CZH013180050BSWP).

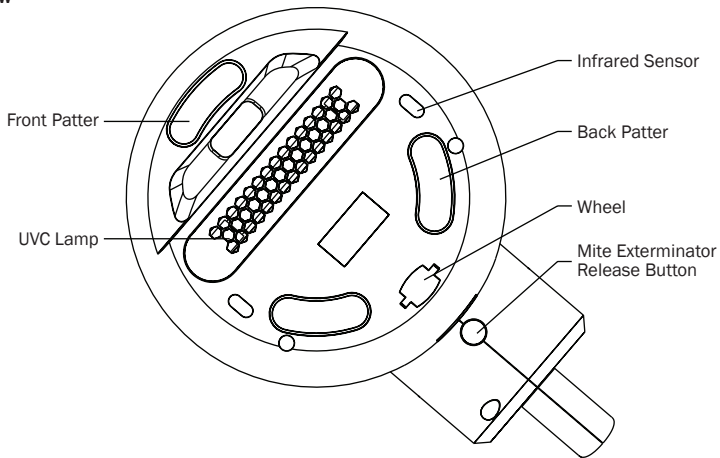


# Product Structure

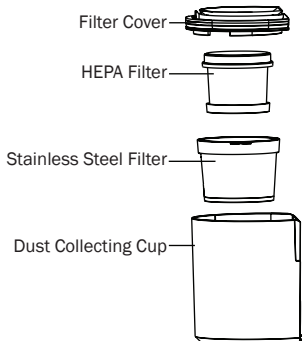
## Main Unit



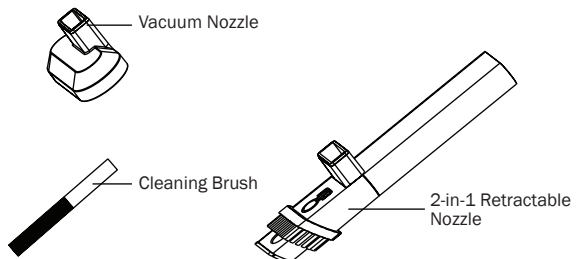
## Bottom View



## Dust Cup



## Vacuum Accessories



# Operation Instructions

---

## Charging Instructions

### **WARNING!**

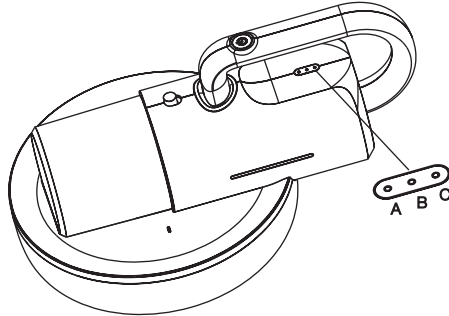
- Make sure the product is turned off before charging.
  - The product can only be charged within the ambient temperature range of 5-40 °C. DO NOT charge this product outside this temperature range.
1. Place this product on a flat or fixed surface. Plug the original power charger into the power socket, then insert the charging cable into the charging port.
  2. During charging, the indicator lights will blink in blue sequentially in a repeating cycle.
  3. A full charge will take approximately 5 hours. Depending on the charging status, the indicator lights progress from blinking sequentially to one, then two, and finally three indicator lights all light up constant, indicating that charging is complete.
  4. After the product is fully charged, unplug the charging cable as soon as possible, and unplug the power charger from the socket.

### **Note:**

- If the battery level becomes too low during use, the indicator lights will blink. Please charge promptly.
- Use only the original power charger supplied with this product for charging; otherwise, product damage may occur.
- During charging, all buttons and functions are disabled.
- The battery is a consumable item. Reduction in operating time due to usage duration, frequency, and natural aging is normal. If the product's runtime becomes noticeably shorter and charging time becomes longer, contact German Pool Customer Service and Repair Centre for a battery replacement. DO NOT attempt to replace the battery yourself.

# Operation Instructions

## Battery Indication



When this product is in use, the indicator lights light up constant in blue to indicate the current battery level:

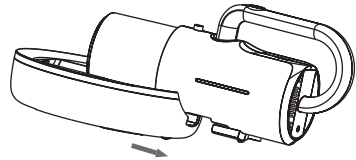
● ● ●	● ● ○	● ○ ○
Indicator lights ABC light up constant in blue indicate battery is full	Indicator lights AB light up constant in blue indicate battery level is between 2/3 to 1/3	Only indicator light A lights up constant in blue indicates battery level is lower than 1/3

### Note:

- When indicator light A lights up constant in red, it means battery level is low.
- When battery level becomes too low, indicator lights ABC will blink in red for 10 seconds, then the product will automatically turn off. Please charge promptly.

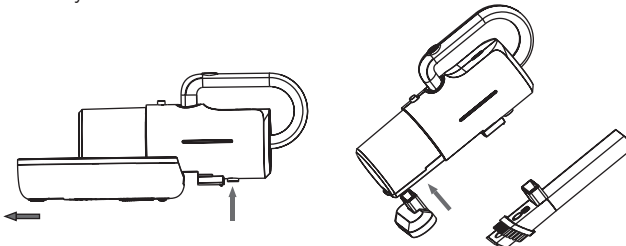
## Installing the Mite Exterminator

Align the metal pins on the Mite Exterminator with the pin holes on the main body, push in until you hear a “click” indicating installation is completed.



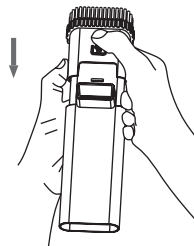
## Installing the Vacuum Accessories

- Press and hold Mite Exterminator Release Button and pull it out, then align the Vacuum Nozzle or 2-in-1 Retractable Nozzle with the suction inlet on the bottom of the Main Unit and insert it. Ensure it is securely installed.



# Operation Instructions

- When using the 2-in-1 Retractable Nozzle, press and hold the buttons on the top and bottom of the nozzle simultaneously, then push forward to extend the brush, or pull back to retract the brush.



## How to Use

### ⚠ WARNING!

- Before using for the first time, charge the product fully, and check that the Dust Cup and filters are securely installed.
- When product is in use, DO NOT look directly at the sensors and UVC lamp on the bottom of the product.

1. Long-press On/Off Button to turn on the product. The product will operate in Low Suction Mode, indicator lights light up constant.
2. Place the product on the surface to be cleaned, and move it back and forth.
3. To adjust suction power, press On/Off Button once to switch to High Suction Mode.
4. After cleaning, press On/Off Button again to turn off the product.

### Note:

When using the Mite Exterminator, the UVC lamp and Patting Function will automatically engage, and the UVC & Patting Function Indicator Light will light up constant in blue. If UVC & Patting Function Indicator Light blinks in blue or blinks red for 10 seconds then product turns off, it means the UVC Lamp and Patting Function are malfunctioning. Please contact German Pool Customer Service & Repair Centre for repair.

### ⚠ WARNING!

During use, the following precautions must be observed:

1. DO NOT direct the UVC Lamp (when activated and in normal operation) toward any part of the human body, animals, or plants, as this may cause injury or skin damage. DO NOT use the lamp on a single area for an extended period to avoid damage to the surface being cleaned.
2. DO NOT allow the elderly, children or persons with limited cognitive ability to use this product without supervision, to prevent inadvertent misuse that may cause harm to humans, animals, or plants.
3. During use, DO NOT manually block the infrared sensors, as this may cause the UVC Lamp to remain on continuously.
4. During use, if the UVC Lamp exhibits any abnormality (such as failing to light or flickering), contact German Pool Customer Service and Repair Centre immediately. DO NOT inspect, disassemble, or repair the product yourself.

# Cleaning & Maintenance

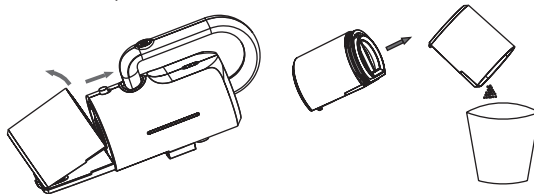
---

## Note:

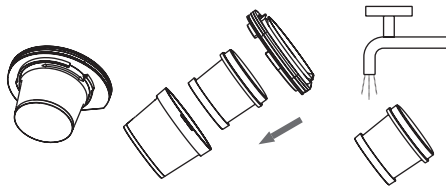
- The product must be turned off before cleaning and maintenance.
- Only use dry cloth to clean this product. DO NOT use chemical solvents such as gasoline, alcohol, or banana oil (lacquer thinner); otherwise, the casing may crack or discolor.
- To ensure cleaning performance and prolong motor life, clean the dust cup and filters after each use. If the HEPA filter is damaged, replace it immediately.
- When the Dust Cup has accumulated a lot of debris, it must be cleaned promptly to ensure unobstructed airflow and to prevent blockage that may cause reduced suction or motor overheating.

## Cleaning the Dust Cup & Filters

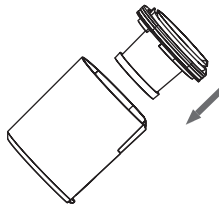
1. Push the Dust Cup Release Button backwards and take out the Dust Cup. Pull out the filters and empty out the dust in the cup.



2. Hold the Stainless Steel Filter and the Filter Cover, and turn the Stainless Steel Filter anticlockwise to remove it. Take out the HEPA Filter. Rinse filters in water to clean.



3. Allow Dust Cup and filters to air-dry completely, then reinstall them properly.



# Cleaning & Maintenance

---

## Product Storage

1. If this product will not be used in a prolonged period of time, store it in a shaded and dry place. DO NOT expose it to direct sunlight or store in a damp area.
2. DO NOT place heavy objects on this product to avoid crushing and damaging it.
3. To protect the battery and extend its lifespan, fully charge the product before storage after use. Even if this product will not be used in a prolonged period of time, it should be charged and discharged at least once every three months.

## UVC Lamp Maintenance

1. UVC Lamp is made of quartz glass, thus it must be kept free of dust and free from contamination such as oil stains.
2. If dust accumulates in the gaps of the UVC Lamp and the product surface after prolonged use, clean them with a small brush.
3. After prolonged use of this product, dust may accumulate on the protective covers of the infrared sensors, causing the UVC Lamp to remain on continuously. Wipe the surface of the covers regularly with a clean cloth to keep them clean.

# Troubleshooting

---

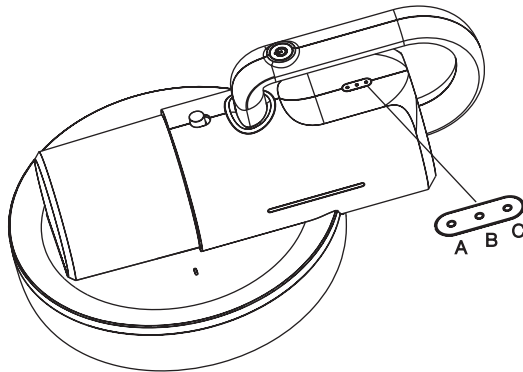
## WARNING!

- DO NOT disassemble or repair this product by yourself. Before maintenance work, turn off the product and disconnect from power source.
- If problem persists or for problems not listed in the table below, please contact German Pool Customer Service & Repair Centre for assistance. This product must only be repaired by a professional technician authorized by German Pool Customer Service & Repair Centre; if consumer entrusts personnel not designated by German Pool, or if consumer repairs this product by themselves, there may be a risk of personal injury or property loss.

Problem	Possible Cause	Solution
Product does not operate	Battery level too low	Charge product
	Operating environment temperature is too high or too low	Use this product in the appropriate ambient temperature of 5-40 °C
Suction is weak	Dust Cup is full	Clean out Dust Cup
	Stainless steel or HEPA filter is clogged	Clean stainless steel or HEPA filter
	Suction inlet is blocked	Clean suction inlet
	Battery level too low	Charge product
	Stainless steel or HEPA filter is not fully air-dried	Fully air-dry stainless steel or HEPA filter

# Troubleshooting

Problem	Possible Cause	Solution
Battery indicator lights suddenly blink during charging	Battery overheat protection	Allow product and battery to cool down before recharging
UVC Lamp does not light up	Lamp is too far away from the surface to be cleaned, or if the surface is dark-colored (such as black or blue) or made of glass, the UVC function may not activate. This is normal	Keep the bottom of this product pressed against the surface being cleaned



Indicator Lights Display	Fault	Solution
Indicator Lights ABC light up constant in red	Battery NTC temperature protection activated or faulty	Contact German Pool Customer Service & Repair Centre
Indicator Lights AC light up constant in red	Mite Exterminator is not correctly attached to Main Body, or the polarity is reversed	
Indicator Light A lights up constant in red	During operation, product indicates low battery	Charge product
Indicator Lights ABC blink in red	During operation, product indicates critically low battery, indicator lights blink for 10 seconds then automatically power off	
Indicator Light A blinks in red	Motor is not connected to power	Contact German Pool Customer Service & Repair Centre
Indicator Light B lights up constant in red	Battery charger is not compatible with this product	Use original battery charger. If problem persists, contact German Pool Customer Service & Repair Centre
Indicator Light C lights up constant in red	Battery malfunction	Contact German Pool Customer Service & Repair Centre

# Technical Specification

---

<b>Model</b>	<b>MKC-306</b>
Working Voltage	14.4 V $\approx$
Charging Voltage	18 V $\approx$
Charging Current	500 mA
Power	120 W
Power Charger Input	100-240 V~ 50/60 Hz 0.4 A
Power Charger Output	18.0 V $\approx$ 0.5 A
Battery Capacity	2,200 mAh
Product Dimensions	(H) 170 (W) 335 (D) 225 mm
Net Weight	1.74 kg

- Specification is subject to change without prior notice.
- If there is any inconsistency or ambiguity between the English version and the Chinese version, the Chinese version shall prevail.
- Refer to [www.germanpool.com](http://www.germanpool.com) for the most update version of the user manual.

## Environmental Protection



All products bearing this symbol are waste electrical and electronic equipment (WEEE as in directive 2012/19/EU) which should not be mixed with unsorted household waste. Instead, you should protect human health and the environment by handing over your waste equipment to a designated collection point for the recycling of waste electrical and electronic equipment, appointed by the government or local authorities. Correct disposal and recycling will help prevent potential negative consequences to the environment and human health. Please contact the installer or local authorities for more information about the location as well as terms and conditions of such collection points.

# 目錄

---

警告及注意事項 14

產品結構 15

使用說明 16

清潔與保養 19

故障檢修 20

技術規格 22

保用條款 23

# 警告及注意事項

## ⚠ 警告！

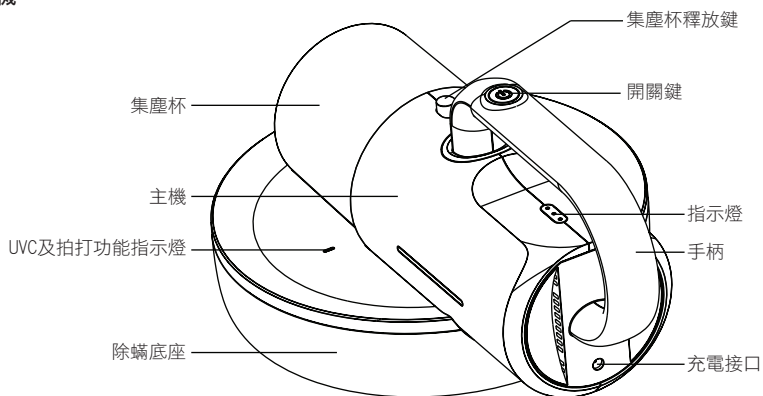
使用本產品前，請仔細閱讀所有說明。

- 本產品只限家居室內日常使用，如產品作任何商業、工業、出租或其他用途，保用證即告失效。
  - 本產品不適合身體、感官或精神能力較弱，或缺乏使用經驗及知識的人士（包括兒童）使用，除非在負責其安全的人士監督或指導下方可使用。
  - 必須照顧好兒童，確保他們不會玩耍本產品。
  - 使用前，請先檢查所有電壓是否與本產品標籤上的電壓相符。
  - 清潔或檢查本產品前，必須先關機及拔掉插頭。
  - 請聯繫德國寶授權的技術人員進行維修或保養本產品。
  - 如電源適配器損壞，必須聯絡德國寶客戶服務及維修中心購買原裝適配器。
  - 為電池充電時，僅可使用本產品跟機附送的可拆式電源適配器。
  - 本產品內含電池，僅可由專業人員更換。
1. 本產品只適用於床鋪、沙發、毛毯等室內環境，嚴禁用於吸取工業垃圾和重金屬塵埃。
  2. 本產品不具備防水功能，僅限於室內使用，必須避免淋雨、進水或在潮濕的場所（如浴室、洗手間、洗衣房等）使用，嚴禁吸入水或潮濕灰塵，以免發生短路或漏電。
  3. 嚴禁在具有潛在危險的環境下使用本產品，如加油站、油庫、化工廠等易燃、易爆場所。
  4. 嚴禁使用本產品清潔雷射印表機、影印機內部使用的色粉或調色劑，以免機器損壞或導致火災、爆炸。
  5. 嚴禁將本產品放置於或靠近高溫高熱場所，如焗爐、壁爐，以免產品外殼變形、損壞或電池發生爆炸。
  6. 嚴禁抽吸高溫物質（如煙頭、碳頭、火柴等）、危險物質（如硫酸、腐蝕劑、侵蝕劑等）、超細物質（石灰、水泥、碳粉等）、易燃化學物（如汽油、煤油、柴油、油漆、酒精、清潔劑等）、尖銳物質（如玻璃、鐵屑、大頭針等）。
  7. 使用過程中如發現摩打出現異響，出風口溫度異常的高，必須立即停止使用並聯絡德國寶客戶服務及維修中心。
  8. 如本產品出現故障，嚴禁自行維修，聯絡德國寶客戶服務及維修中心以獲取幫助。
  9. 只可使用MKC-306電源供應器（CZH013180050BSWP）。

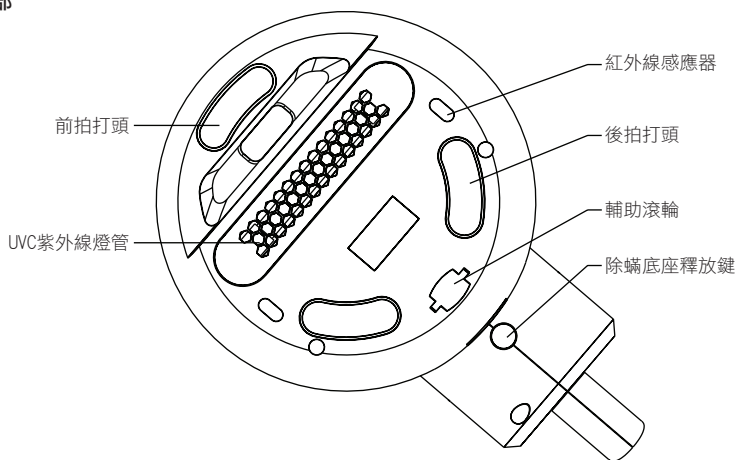


# 產品結構

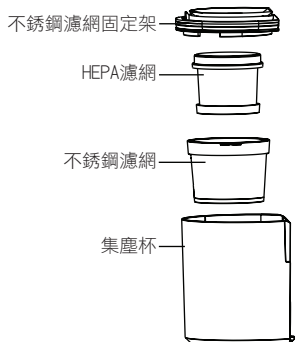
## 主機



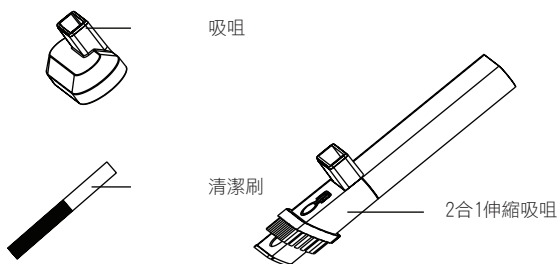
## 主機底部



## 集塵杯



## 吸塵配件



# 使用說明

## 充電說明

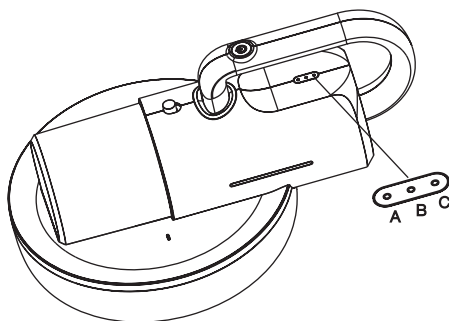
### ⚠ 警告！

- 充電前必須確保產品已關機。
  - 必須在適當的環境溫度（5-40℃）下充電，嚴禁在過低或過高環境溫度下充電。
1. 將本產品放置在平面或固定位置，使用原裝電源適配器插入電源插座，再將充電線插入充電接口。
  2. 充電期間，指示燈一顆接一顆循環以藍色閃爍。
  3. 充電時間約為5小時，依據充電狀況，指示燈從循環閃爍到一顆、二顆、三顆常亮，代表充電完畢。
  4. 充滿電後盡快拔除電源線，並將電源適配器從插座上拔除。

### 注意：

- 本產品在使用過程中如電量嚴重不足，指示燈會閃爍提示，請及時充電。
- 必須使用原裝配置的電源適配器進行充電，否則可能導致產品損壞。
- 充電期間所有按鍵功能無效。
- 電池為消耗品，根據使用時間和頻率及電池老化，工作時間有所減少屬正常現象；如產品續航時間明顯變短及充電時間變長時，請聯絡德國寶客戶服務及維修中心更換電池，嚴禁自行更換。

## 電量顯示



本產品使用期間，指示燈以藍色常亮提示當前電量：

		
指示燈A、B、C以藍色常亮代表電量充足	指示燈A、B以藍色常亮代表電量介乎2/3至1/3之間	指示燈A以藍色常亮代表電量低於1/3

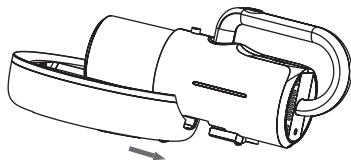
### 注意：

- 當指示燈A以紅色常亮，代表電量不足。
- 當電量嚴重不足，指示燈A、B、C以紅色閃爍10秒後產品自動關機，應及時充電。

# 使用說明

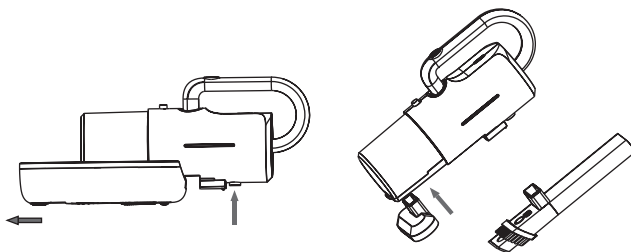
## 安裝除蟎底座

將除蟎底座的插針對準主機的插孔插入，直至聽到「咔」聲代表安裝完成。

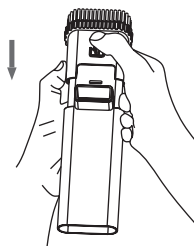


## 安裝吸塵配件

- 按住除蟎底座釋放鍵，向外拉出除蟎底座，將吸咀或2合1伸縮吸咀上方突出的連接口對準機身底部的吸風口插入，確保安裝穩妥。



- 如需切換毛刷或扁吸咀，按住2合1伸縮吸咀頂部及底部的按鈕，向前推或向後拉。



# 使用說明

---

## 使用步驟

### ⚠ 警告！

- 首次使用前必須確保電池充滿電，並檢查集塵杯、濾網是否已穩妥安裝到位。
- 產品運作期間嚴禁用眼睛直視本產品底部的感應器及UVC紫外線燈管。

1. 長按「開關鍵」，產品以低檔吸力模式運作，指示燈常亮。
2. 將本產品放在需要物體表面來回拖動進行清潔。
3. 如需調節檔位，按「開關鍵」1次切換為高檔吸力模式。
4. 使用完畢後，再按1次「開關鍵」關機。

### 注意：

當使用除蟎底座時，UVC紫外線燈管及拍打功能正常運作，除蟎底座上的UVC及拍打功能指示燈以藍色常亮。如指示燈以藍色閃爍或以紅色閃爍10秒後熄滅，代表UVC紫外線燈管及拍打功能故障或異常，必須聯絡德國寶客戶服務及維修中心進行維修。

### ⚠ 警告！

在使用過程中必須注意：

1. 嚴禁將處於正常工作狀態（有效開啟）中的UVC紫外線燈管直接對準人體任何部位、動物或植物進行照射，以免造成傷害或損壞皮膚；嚴禁長時間對準一個部位使用，以免損壞清潔對象。
2. 嚴禁讓長者、小孩或辨識能力有限的人員獨自使用本產品，以免在不知情的錯誤使用過程中出現傷害人體、動物或植物的情況。
3. 使用過程中，嚴禁人為遮擋紅外線感應器，避免UVC紫外線燈管持續開啟。
4. 在使用過程中，如果UVC紫外線燈管出現異常情況（如不亮或時亮時暗），必須及時聯絡德國寶客戶服務及維修中心，嚴禁自行對產品進行檢查、拆卸或維修。

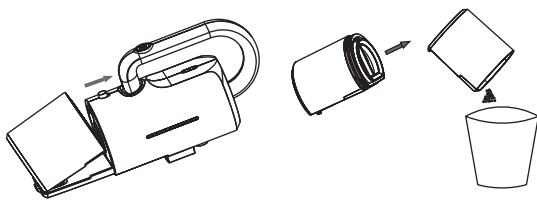
# 清潔與保養

## 注意：

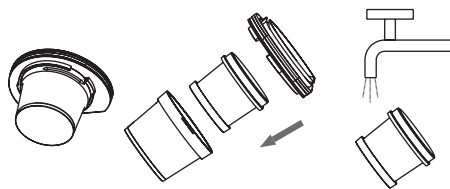
- 清潔及保養前必須先關機。
- 清潔本產品時必須使用乾布，嚴禁使用汽油、酒精、香蕉水等化學溶劑，否則會導致外殼體龜裂或褪色。
- 為了保證清潔效果和延長摩打壽命，應注意及時清潔集塵杯及濾網，如HEPA濾網損壞，必須及時更換。
- 當集塵杯有較多垃圾時必須及時清理，以保證通風路徑暢通，避免阻塞造成吸力下降或摩打發熱。

## 清潔集塵杯及濾網

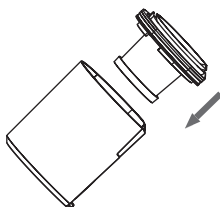
1. 向後推動集塵杯釋放鍵，拆出集塵杯。向外拉出過濾組件，倒出集塵杯內的灰塵。



2. 握住不銹鋼濾網及不銹鋼濾網固定架，將不銹鋼濾網逆時針旋轉拆出並取出HEPA濾網，清除灰塵後可直接進行沖洗。



3. 待集塵杯、不銹鋼濾網及HEPA濾網完全晾乾後依次組裝，並正確裝回主機，確保安裝穩妥。



# 清潔與保養

## 收藏本產品

1. 長時間不使用時，必須將本產品放置於陰涼乾燥的地方，嚴禁放置於陽光下暴曬或潮濕的地方。
2. 本產品上方嚴禁堆放重物，以免壓壞。
3. 為保護電池延長使用壽命，使用本產品後，請確保充滿電再收納存放；如長時間存放不使用本產品時，請保證至少每三個月充放電一次。

## UVC紫外線燈管保養

1. UVC紫外線燈管以石英玻璃製成，必須保持玻璃上無灰塵及不被油漬等沾染。
2. UVC紫外線燈管及產品表面的縫隙在長時間使用後如積有灰塵，可使用小毛刷進行清潔。
3. 如長時間使用本產品，紅外線感應器的保護罩位置可能會積灰，有機會導致UVC紫外線燈管持續開啟，必須經常使用乾淨抹布擦去保護罩表面的灰塵並保持乾淨。

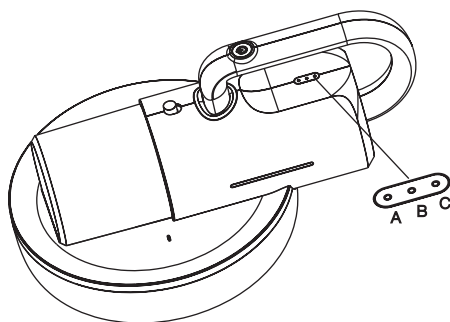
# 故障檢修

## ⚠ 警告！

- 嚴禁自行維修或拆卸本產品。維修前必須將產品關機及拔除電源。
- 如下表未提及問題，請聯絡德國寶客戶服務及維修中心。本產品須由德國寶客戶服務及維修中心進行維修，若委託非德國寶指定人員或用戶自行進行維修，可能存在人身傷害或財產損失風險。

故障現象	可能原因	解決方法
本產品不運作	電池電量不足	為本產品充電
	使用環境溫度過高或過低	在適當溫度的環境中使用（5-40°C）
吸力減弱	集座杯吸滿灰塵	清潔集塵杯
	不銹鋼濾網或HEPA濾網堵塞	清潔不銹鋼濾網及HEPA濾網
	吸咀堵塞	清潔吸咀
	電池電量不足	為本產品充電
	不銹鋼濾網或HEPA濾網未充分晾乾	徹底晾乾不銹鋼濾網及HEPA濾網
充電過程中電量指示燈突然閃爍	電池高溫保護	待本產品及電池冷卻後再充電
UVC紫外線燈管不亮	距離清潔表面太遠或清潔表面為黑、藍等暗色或玻璃時，UVC無法啟動，屬於正常情況	使本產品底部貼近需要清潔的表面

# 故障檢修



指示燈顯示	原因	解決方法
指示燈A、B、C以紅色常亮	電池NTC溫度保護或故障	聯絡德國寶客戶服務及維修中心
指示燈A、C以紅色常亮	底座未正確連接主機或正負極錯誤	
指示燈A以紅色常亮	產品運作期間提示電量不足	為本產品充電
指示燈A、B、C以紅色閃爍	產品運作期間提示電量嚴重不足，指示燈閃爍10秒後產品自動關機	
指示燈A以紅色閃爍	摩打未接通電源	聯絡德國寶客戶服務及維修中心
指示燈B以紅色常亮	電源適配器與本產品不匹配	使用原裝配置的電源適配器，如問題持續，聯絡德國寶客戶服務及維修中心
指示燈C以紅色常亮	電池故障	聯絡德國寶客戶服務及維修中心

# 技術規格

型號	MKC-306
工作電壓	14.4 V <sup>---</sup>
充電電壓	18 V <sup>---</sup>
充電電流	500 mA
功率	120 W
電源適配器輸入	100-240 V~ 50/60 Hz 0.4 A
電源適配器輸出	18.0 V <sup>---</sup> 0.5 A
電池容量	2,200 mAh
產品尺寸	(H) 170 (W) 335 (D) 225 mm
淨重	1.74 kg

- 產品規格及設計如有變更，恕不另行通知。
- 中英文版本如有出入，一概以中文版為準。
- 本產品使用說明書以[www.germanpool.com](http://www.germanpool.com)網上版為最新版本。

## 環境保護



所有帶有此標誌的產品均屬於「2012/19/EU指令」所指的廢棄電氣及電子設備(WEEE)，不應與未分類的家庭垃圾一同棄置。請將廢棄設備交予由政府或地方當局指定的回收點進行回收，以保障人類健康及環境。正確的處理及回收可避免對環境及人體健康造成潛在不良影響。詳情請聯絡安裝人員或當地主管部門，以了解回收點位置及相關條款。

# 保用條款

# Warranty Terms & Conditions

此保用提供德國寶產品之機件在正常使用下壹年保用(自購買日起計算)。

Under normal operations, the product will guarantee a 1-year full warranty provided by German Pool (effective from the date of purchase).

\*貴戶須在購機十天內，以下列其中一種方式向本公司登記資料，保用手續方正式生效：

1) 填妥德國寶VIP手機應用程式  
保用登記表 (掃描右方二維碼)

2) 填妥本公司網頁保用登記表  
[www.germanpool.com/warranty](http://www.germanpool.com/warranty)

3) 填妥保用卡郵寄至本公司



\* This warranty is not valid until customer registration information is received by our Service Centre within 10 days of purchase via one of the following means:

1) Visit our VIP App and register online:  
(Scan the QR Code on the right)

2) Visit our website and register online:  
[www.germanpool.com/warranty](http://www.germanpool.com/warranty)

3) Complete the attached Warranty Card and mail it back to our Customer Service Centre.



另請填妥以下表格並與正本發票一併保存，以便維修時核對資料。用戶提供之所有資料必須正確無誤，否則免費保用將會無效。 Please fill out the form below. This information and the original purchase invoice will be required for any repairs. Warranty will be invalidated if information provided is found to be inaccurate.

型號 Model No. : MKC-306

發票號碼 Invoice No. : \_\_\_\_\_

購買商號 Purchased From : \_\_\_\_\_

機身號碼 Serial No. : \_\_\_\_\_

購買日期 Purchase Date : \_\_\_\_\_

1. 未能出示購買發票正本者，將不獲免費維修服務。
2. 用戶應依照說明書的指示操作。本保用並不包括：
  - 上門安裝、檢驗、維修或更換零件之人工以及一切運輸費用；
  - 因天然與人為意外造成的損壞 (包括運輸及其他)；
  - 電源接合不當、不依說明書而錯誤或疏忽使用本機所引致之損壞。
3. 於下列情況下，用戶之保用資格將被取消：
  - 購買發票有任何非認可之刪改；
  - 產品被用作商業或工業用途；
  - 產品經非認可之技術人員改裝或加裝任何配件；
  - 機身編號被擅自塗改、破壞或刪除。
4. 總代理有權選擇維修或更換配件或其損壞部份。
5. 產品一經被轉讓，其保用即被視作無效。

1. Customer who fails to present original purchase invoice will not be eligible for free warranty service.
2. Customer should always follow the operating instructions. This warranty does not apply to:
  - labour costs for on-site installation, check-up, repair, replacement of parts and other transportation costs;
  - damages caused by accidents of any kind (including material failure and others);
  - operating failures resulting from applying incorrect voltage, improper usage, and unauthorized installations or repairs.
3. This warranty is invalid if:
  - the purchase invoice is modified by an unauthorized party;
  - the product is used for any commercial or industrial purposes;
  - the product is repaired or modified by unauthorized personnel, or unauthorized parts are installed;
  - the serial number is modified, damaged or removed from the product.
4. German Pool will, at its discretion, repair or replace any defective part.
5. This warranty will be void if there is any transfer of ownership from the original purchaser.

## 客戶服務及維修中心

香港

九龍大業街59號

三湘九龍灣貨運中心地下B室

電話：+852 2773 2888

傳真：+852 2356 9798

電郵：[repairs@germanpool.com](mailto:repairs@germanpool.com)

澳門

澳門青洲大馬路(青洲新路)

515號美居廣場第二期1樓A座

電話：+853 2875 2699

傳真：+853 2875 2661

## Customer Service & Repair Centre

Hong Kong

Unit B, G/F, Sunshine Kowloon Bay

Cargo Centre, 59 Tai Yip Street,

Kowloon, Hong Kong

Tel: +852 2773 2888

Fax: +852 2356 9798

Email: [repairs@germanpool.com](mailto:repairs@germanpool.com)

Macau

A, 1 Andar, Mei Kui Kuong

Cheong Fase 2, No.515 Avenida

Do Conselheiro Borja Macau

Tel: +853 2875 2699

Fax: +853 2875 2661

此保用只適用於香港及澳門

This warranty is valid only in Hong Kong and Macau

## German Pool (Hong Kong) Limited



香港《S MARK》  
安全認證



中國經銷家電行業  
十大影響力品牌

CEO

CEO非凡品牌大賞



香港優質商號



香港工商業獎



2007  
最具潛質  
創建品牌企業獎



香港中小企業  
最佳拍檔大獎



HONG KONG  
CONSUMER CHOICE  
2007



香港《Q MARK》  
優質服務證書



香港名牌十年成就獎  
HONG KONG TOP BRAND TEN YEAR  
ACHIEVEMENT AWARD

© All rights reserved. Copying, reproducing or using the contents of this manual is not allowed without prior authorization from German Pool, violators will be prosecuted.