

## Chimney Type Range Hood

RDC-7356-SC  
RDC-7457-SC



SMART  
CONNECT

Online Warranty Registration



Please read these instructions and warranty information carefully before use and keep them handy for future reference.

# USER MANUAL

# Table of Contents

---

Warnings & Safety Instructions	03
Product Structure	05
Installation Instructions	06
Operation Instructions	09
Operation Instructions: Smart Connect	10
Care and Maintenance	16
Troubleshooting	16
Recycling and Disposal	17
Technical Specification	17
Warranty Terms & Conditions	35

# Warnings & Safety Instructions

---

For safety purpose, you should read the instructions carefully before using the appliance for the first time. Save the instructions for future reference. The appliance is designed for domestic use and may only be installed and operated in accordance with these instructions for use.

## **Warning:**

- All installation work must be carried out by a competent person or qualified electrician.
  - This appliance must be installed correctly by a suitably qualified person, strictly following the User Manual.
- 
- This appliance complies with all current European safety legislation, however, the Manufacturer must emphasise that this compliance does not prevent the surfaces of the appliance from heating up during use and remaining hot during its operation.
  - Accessible parts may become hot during use. Young children should be kept away. Care should be taken to avoid touching the appliance.
  - This appliance must be kept out of the reach of babies and young children.
  - This appliance can be used by children aged from 8 years and above and persons with reduced physical, sensory or mental capabilities or lack of experience and knowledge if they have been given supervision or instruction concerning use of the appliance in a safe way and understand the hazards involved. Children shall not play with the appliance. Cleaning and user maintenance shall not be made by children unless they are older than 8 and supervised.
  - Keep the appliance and its cord out of reach of children less than 8 years.
  - Regularly check the power plug and power cord for damage. If the supply cord is damaged, it must be replaced by the manufacturer, its service agent or similarly qualified persons in order to avoid a danger or injury.
  - Do not allow the electric cables to touch the hot parts of the appliance.
  - Make sure that the power cord is not caught under or in the appliance and avoid damage to the power cable.
  - Do not install the appliance outdoors in a damp place or in an area which may be prone to water leaks such as under or near a sink unit. In the event of a water leak, allow the machine to dry naturally.

## **Warning:**

- Failure to install the screws or fix device in accordance with these instructions may result in electrical hazards.
- When the range hood and appliances supplied with energy other than electricity are simultaneously in operation, the negative pressure in the room must not exceed 4 Pa.

# Warnings & Safety Instructions

---

- Please dispose of the packing material carefully.
- Do not use flammable sprays in close vicinity to the appliance.
- We recommend that great care be taken during use and cleaning. Read the cleaning and maintenance sections for this appliance carefully.
- A steam cleaner is not to be used.
- The appliance is not intended to be operated by means of external timer or separated remote-control system.
- The appliance is for domestic use only.

## **Warning:**

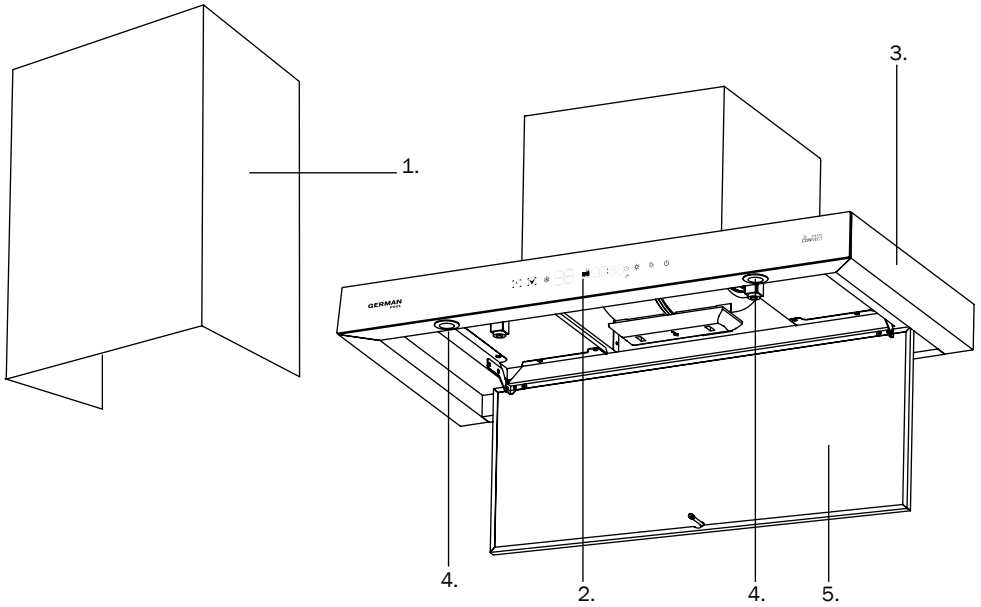
- Consult local regulations regarding fumes outlets. Do not connect the hood to a fume, ventilation or hot air duct. Confirm that room ventilation is appropriate with the local authorities. Make sure the maximum air extraction flow rate for the appliances in the room does not exceed 4 Pa. The room must have adequate ventilation if an extractor hood is used simultaneously with appliances that run on gas or other fuels. The air must not be discharged into a flue that is used for exhausting fumes from appliances burning gas or other fuels. Regulations regarding air extraction must be complied with.
  - Before connecting the hood: switch off the electricity supply and check that the supplied voltage and frequency coincide with that indicated on the appliance nameplate.
  - The hood may stop working during an electrostatic discharge (e.g. Lightning). This involves no risk of damage. Switch off the electricity supply to the hood and reconnect after one minute.
- 
- To avoid the risk of fire, clean the metal filter regularly and closely watch and regulate pans containing hot oil.
  - Do not use the hood if it shows signs of damage or imperfection. Contact customer services centre.
  - Flambe cooking must not be carried out underneath this appliance.
  - When installing the appliance, make sure that the following distances between the top of cooker or hob and the lowest part of the hood must be observed: Gas Hobs 750mm; Electric hobs 650mm.
  - The Manufacturer declines all liability for personal or material damage as a result of misuse or incorrect installation of this appliance.
  - Regarding the information pertaining to installation, please refer to the "Installation Instruction" of the Manual.

## **Warning:**

There is a risk of electric shock and fire if cleaning is not carried out in accordance with the instructions.

# Product Structure

---



- 1. Motor cover (Optional)
- 2. Control panel
- 3. Body
- 4. LED Light
- 5. Rectification plate (oil collector inside)

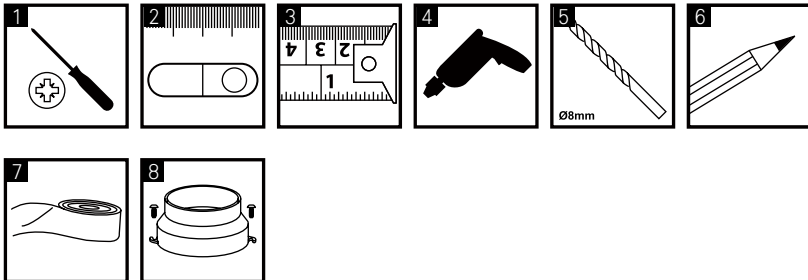
# Installation Instructions

---

## Things to check before installation

- To avoid the constant danger when using electrical appliance, it is important to properly install this range hood and read the safety instructions carefully to avoid misuse and danger. We recommend that you keep this instruction manual for future reference and pass it to any future owners. After unpacking the range hood, check that the range hood is intact. When in doubt, do not use the device.
- Check the package and make sure you have all of the parts listed.
- Decide on the appropriate location for your product.
- If this product contains glass, please take care with fitting or handling to prevent personal injury or damage to the product.
- The specifications plate is available on the appliance. This plate displays all the necessary identification information for ordering replacement parts.
- If you sell the appliance, give it away, or leave it behind when you move house, make sure you also pass this manual to the new owner, so that the new owner can become familiar with the appliance and its safety warnings.

## Installation Tools

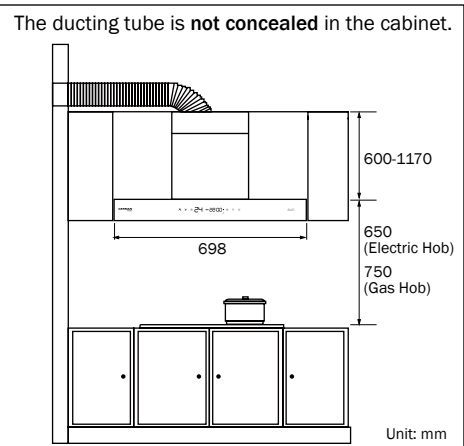
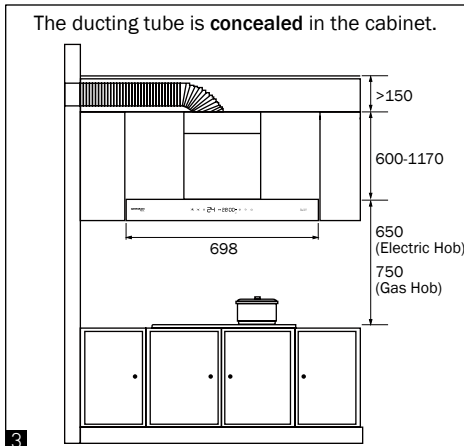
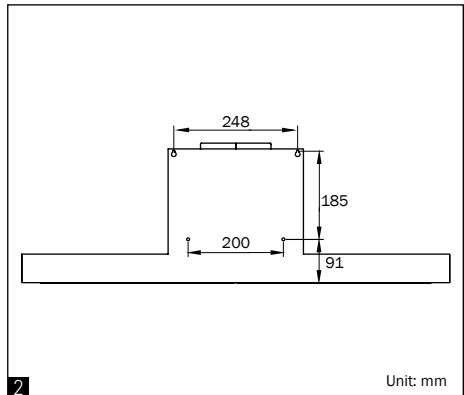
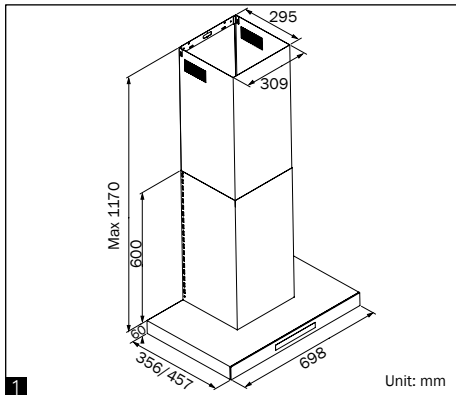


1. Phillips Screwdriver
2. Spirit Level
3. Pull Ruler
4. Electric Drill
5. Drill bit (Ø8mm)
6. Pencil
7. Aluminium Tape
8. Adapter (Ø150mm to Ø120mm) & M4\*8 screw x 2

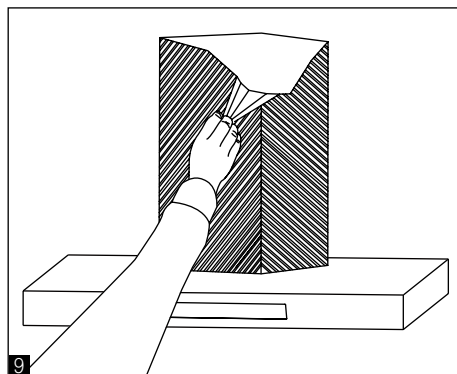
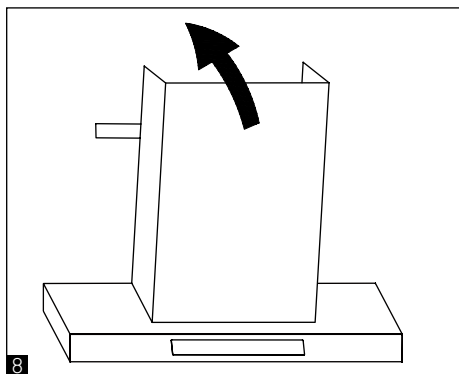
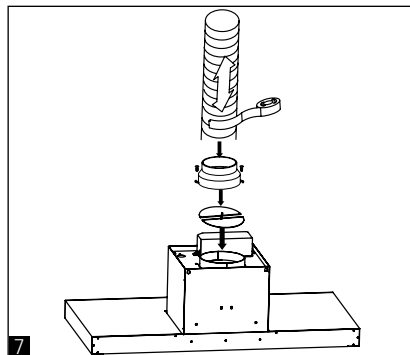
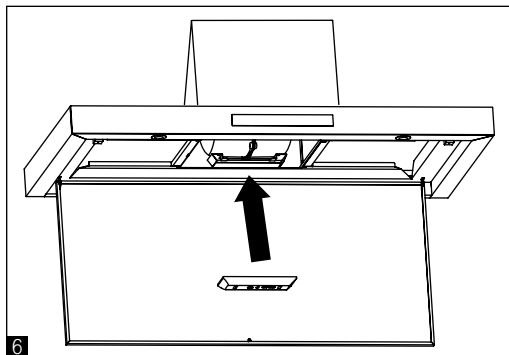
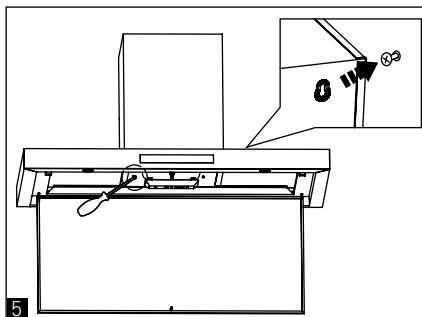
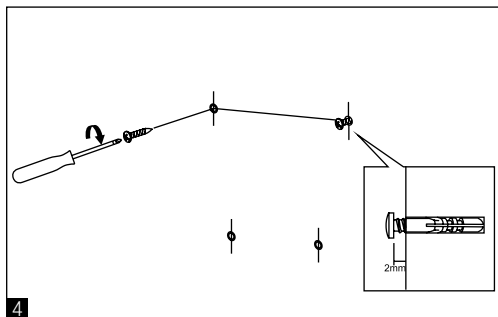
# Installation Instructions

## Installation Steps

1. Type of installation: Ducted option; Failure to install the screws or fixing device in accordance with these instructions may result in electrical hazards.
2. Mark on the wall the hole positions as shown in diagram (pic 2); The wall plugs supplied are suitable for solid walls only. When fixing to any other type of wall, please use suitable alternative fixings.
3. Distances between the top of cooker or hob and the lowest part of the hood must be observed: Gas Hobs 750mm; Electric hobs 650mm (pic. 3).
4. Drill the holes, insert the wall plugs in all 4 holes, then insert the lower four screws (pic. 4).
5. Position the hood over the lower four screws, then tighten them (pic. 5).
6. Install the oil cup (pic. 6).
7. Fix the Ducting Tube by using tape or clamp (make use of the  $\Phi 150\text{mm}$  to  $\Phi 120\text{mm}$  adapter if needed) (pic. 7).
8. Fix to the wall the top bracket and place the decorative tubes (pic. 8).
9. Remove the protective film, done (pic. 9).



# Installation Instructions



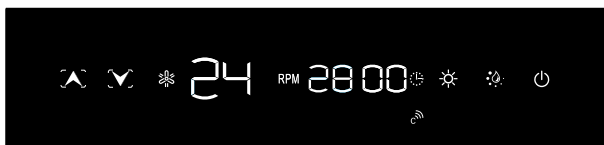
## Before use

Switch on the appliance at the switched fused connection unit. The appliance is ready for use.



# Operation Instructions

## Touch Control Panel



ICON	DESCRIPTION
	<b>Gear-Up / Gear-Down Key</b> Press key once to gear up or gear down 1 level.
	<b>Booster Key</b> Press to enter Turbo Boost Mode, Gear Display shows “hf” and product will start a 3-minute countdown. After 3 minutes, range hood will return to the gear level set prior to entering Turbo Boost Mode.
	<b>Gear Display</b> <ul style="list-style-type: none"> <li>• Display real-time gear level.</li> <li>• Display “hf” when operating in Turbo Boost Mode.</li> </ul>
	<b>Real-time RPM Display / Timer Display</b> <ul style="list-style-type: none"> <li>• Displays real-time RPM.</li> <li>• Display Off Timer and RPM alternately when Turbo Boost Mode or 3-minute Countdown is activated.</li> </ul>
	<b>Delayed Power-Off Indicator Light</b> <ul style="list-style-type: none"> <li>• Light off: 3-minute Delayed Power-Off function deactivated.</li> <li>• Light on: 3-minute Delayed Power-Off function activated.</li> <li>• In standby status, long-press key 5 seconds to activate Delayed Power-Off function, or long press key 3 seconds to deactivate Delayed Power-Off function.</li> </ul>
	<b>Smart Connect Indicator Light</b> <ul style="list-style-type: none"> <li>• Light off: Smart Connect deactivated/cancelled.</li> <li>• Red light on: Smart Connect activated.</li> <li>• Blue light on: product has exited Smart Connect Mode.</li> </ul>
	<b>Lighting Key</b> Press key to turn on or turn off LED light.
	<b>Self-Cleaning Key</b> <ul style="list-style-type: none"> <li>• Long-press key 2 seconds to enter into an 11-minute countdown. The first 10 minutes the range hood will heat up, and for the last 1 minute the motor will run to dissipate the grease.</li> <li>• When Self-Cleaning function is in operation, long-press key for 2-sec to cancel Self-Cleaning Function.</li> </ul>
	<b>On / Off Key</b> <ul style="list-style-type: none"> <li>• Press key to turn on the range hood; or</li> <li>• When the range hood is turned on: <ul style="list-style-type: none"> <li>– If Delayed Power-Off indicator light is on, press key once and product will enter 3-min Delayed Power-Off countdown; press key twice and product will turn off immediately;</li> <li>– If Delayed Power-Off indicator light is off, press key once and product will turn off immediately.</li> </ul> </li> </ul>

## Gesture Control

Within a distance of 8cm from the front of the control panel, wave to turn on or turn off the hood. When waving the gesture range needs to cover the entire control panel.

**Gesturing from left to right:** Turn on the hood, the motor and the lights are turned on, the motor remains in the memory of the last shutdown Gear. **Gesturing from right to left:** Turn off the motor and lights.

# Operation Instructions: Smart Connect

RDC-SC range hoods are part of our Smart Connect Home Appliance Series. This range hood can be used independently on its own, or paired with our Smart Connect cooktops to achieve the unsurpassed user convenience Smart Connect technology can bring. Scan this QR code for the latest information on our Smart Connect Home Appliance Series:



## Note:

This range hood can only be paired with cooktops that have “Smart Connect” function. Pairing and Smart Connect cannot be utilized with cooktops that do not possess Smart Connect technology.

## Pairing With Cooktop

Before initial use of “Smart Connect” function, the range hood must first be paired with the cooktop:

## Note:

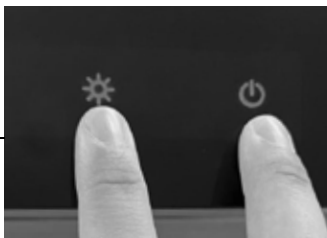
- Pairing sequence is only necessary when using “Smart Connect” for the first time, or when user replaces a new cooktop or range hood. Once the two appliances are paired, there is no need to pair up again thereafter.
- Pairing sequence can only be initiated when range hood and cooktop are in standby status (meaning when the two appliances are powered on but not in use). If either range hood or cooktop is in operation, pairing initiation is not possible.



## Step 1: Connect Power



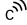
Connect your Smart Connect cooktop and range hood to the power source.

## Step 2: Smart Connect Your Range Hood



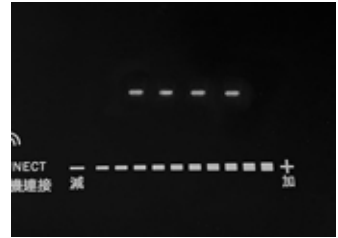
Simultaneously long-press  Lighting Key and  On/Off Key on the **range hood** for 2-3 seconds.




Range hood will beep once,  Smart Connect indicator on the **range hood** will blink in blue.

# Operation Instructions: Smart Connect

## Step 3: Turn On Your Cooktop




Long-press  On/Off Key of the **left cook hob** for 3 seconds to turn on the product. Cooktop buzzer will beep once.

The **left cook hob** display panel will show "----".

## Step 4: Smart Connect Your Cooktop




Long-press  Timer/Connect Key on **left cook hob** for 3 seconds. Cooktop buzzer will beep once.

The **left cook hob** display panel will show "CH--".


## Step 5: Start Pairing



Short-press  Lock Key on the **left cook hob** for 1 second to start pairing.

The **left cook hob** display panel will show "A--A".

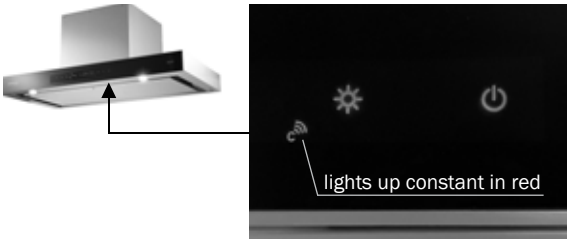
### Gentle Reminder (Display panel shows "LoC"):


If the **left cook hob** display panel shows "LoC", it means you have pressed the Lock Key for too long and activated Child Lock by mistake. Long-press  Lock Key for 3 seconds again to de-activate Child Lock, and repeat step 5.




# Operation Instructions: Smart Connect

## Step 6: Pairing Sequence Completed




When  Smart Connect indicator on **range hood** changes from blue to red and lights up constant, it means pairing sequence is completed.

### Gentle Reminder:

If  Smart Connect indicator on **range hood** remains blinking in blue, please repeat steps 4-6.


## Step 7: Exit Pairing



After pairing sequence is successful, short-press  Lock Key on the **left cook hob** for 1 second to exit Pairing Mode.




















The **left cook hob** display panel will show “CH- -”, indicating Smart Connect function has been activated.

### Gentle Reminder:

**Pairing sequence must be completed within 3 minutes.** If range hood does not receive the pairing signal within 3 minutes (while  Smart Connect indicator is blinking in blue), it will automatically disengage from the pairing sequence, and you will need to re-do steps 2-7.

# Operation Instructions: Smart Connect

## Quick Guide For Pairing

Step	Related Products	Induction Cooktop	Range Hood
1			
Step	Key	Induction Cooktop Display	Range Hood Display
2	  + 	No display	 Blinks in <b>blue</b>
3	 	- - - -	 Blinks in <b>blue</b>
4	 	C H - -	 Blinks in <b>blue</b>
5 & 6	 	A - - A	 lights up in <b>red</b>
7	 	C H - - successful	 lights up in <b>red</b> successful

Smart Connect function has been activated.

Watch the video clip



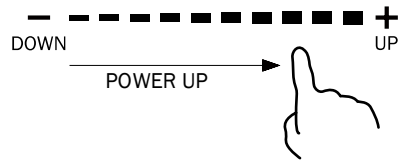
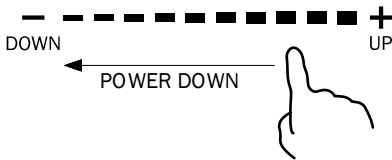
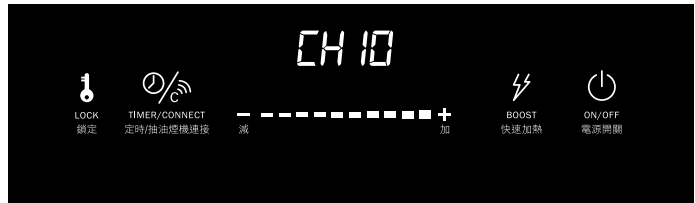
# Operation Instructions: Smart Connect

## Smart Connect Function Operation

### Note:

- When Smart Connect function is activated, both cook hobs will simultaneously activate Smart Connect function. Likewise, when Smart Connect function is deactivated, both cook hobs will simultaneously exit Smart Connect.
- If user switches off the cooktop with Smart Connect function activated, next time user turns on the cooktop, Smart Connect will remain on. If user turns off the cooktop with Smart Connect deactivated, next time user turns on the cooktop, Smart Connect will remain off and will have to be manually activated.
- Induction cook hob will only heat up when there is an appropriate electromagnetic cookware (with water inside) placed on it.

1. When Smart Connect is activated, the range hood will run at a gear level that corresponds to the selected gear level of the cooktop:

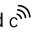


Cooktop Gear (Left + right hobs combined)	Range Hood Gear
1-2	2
3-4	5
5-6	8
7-8	11
9-10	14
11-12	17
13	20
14	22
15	24





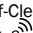
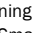
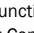
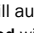

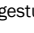
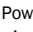
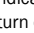
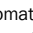
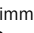
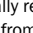
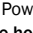
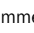
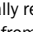
2. When the cooktop is turned off or when the gear level is set to 0, the range hood will automatically turn off after 3 minutes and enters standby status (When Delayed Power-Off Indicator Light on the range hood turns off, the range hood will directly turn off).

# Operation Instructions: Smart Connect

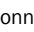
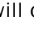
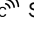

## Deactivate Smart Connect Function

When Smart Connect is activated, pressing any key (except from the Lighting Key) on the **range hood** or if user issues any command by Gesture Control, product will deactivate Smart Connect, and  Smart Connect Indicator Light on the **range hood** will turn from red to blue:



1. Adjusting Gear Level	<ul style="list-style-type: none"> <li>After pressing   Gear Up/Gear Down keys or  Booster Key on the <b>range hood</b> to adjust gear level, press the <b>range hood's</b>  On/Off Key to reactivate Smart Connect function.</li> </ul>
2. Self-Cleaning Function	<ul style="list-style-type: none"> <li>When  Self-Cleaning function is completed, range hood will automatically reactivate Smart Connect.  Smart Connect Indicator on the <b>range hood</b> will turn from blue to red.</li> <li>During Self-Cleaning process, if user presses  Self-Cleaning Key to cancel the function, User must press the <b>range hood's</b>  On/Off Key afterwards to reactivate Smart Connect.</li> </ul>
3. Force-Stop Turn Off	<ul style="list-style-type: none"> <li>When range hood is in operation, long-press the <b>range hood's</b>  On/Off Key on the <b>range hood</b> for 3 seconds or wave gesture from right to left, range hood will immediately turn off. User must press the <b>range hood's</b>  On/Off Key or gesture hand from left to right afterwards to reactivate Smart Connect.</li> </ul>
4. Turn Off	<ul style="list-style-type: none"> <li>When Delayed Power-Off is activated ( Delayed Power-Off Indicator lights up red):               <ul style="list-style-type: none"> <li>Press the <b>range hood's</b>  On/Off Key once, range hood will turn off after 3 minutes. Range hood will automatically reactivate Smart Connect.  Smart Connect Indicator on the <b>range hood</b> will turn from blue to red.</li> <li>Press the <b>range hood's</b>  On/Off Key twice, range hood will immediately turn off. Range hood will automatically reactivate Smart Connect.  Smart Connect Indicator on the <b>range hood</b> will turn from blue to red.</li> </ul> </li> <li>When Delayed Power-Off is deactivated ( Delayed Power-Off Indicator light is off):               <ul style="list-style-type: none"> <li>Press the <b>range hood's</b>  On/Off Key once, range hood will immediately turn off. Range hood will automatically reactivate Smart Connect.  Smart Connect Indicator on the <b>range hood</b> will turn from blue to red.</li> </ul> </li> </ul>

## Cancel Smart Connect Function

- When Smart Connect is activated, if user long-press  Timer/Connect Key on **left cook hob** for 3 seconds, cooktop will cancel Smart Connect function, range hood will enter 3-min Delayed Power-Off countdown (When Delayed Power-Off Indicator Light on the range hood turns off, the range hood will directly turn off), or user can press  On/Off Key on the **range hood** to immediately turn it off range hood.  Smart Connect Indicator Light will turn from red to blue.
- To restart Smart Connect function, long press  Timer/Connect Key on **left cook hob** for 3 seconds.

# Care & Maintenance

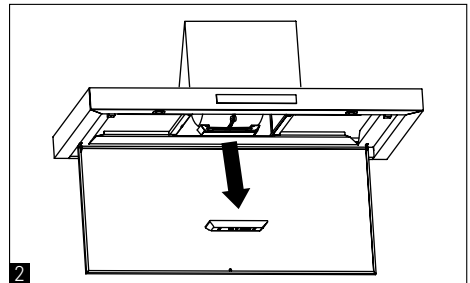
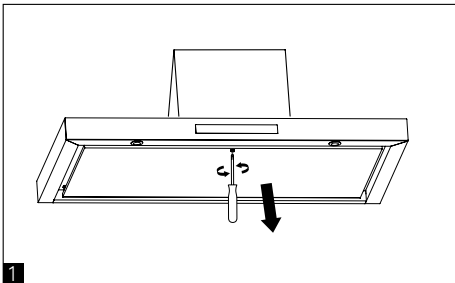
## Cleaning of Oil Cup

To avoid fire, please clean the oil cup thoroughly every month or every time after using the self-cleaning function. To do this, remove the oil cup and soak it in hot water and detergent for an hour. If using a dishwasher, do not exceed 65°C.

1. After loosening the screws counterclockwise by cross-head screwdriver, the bezel is pulled down (pic. 1).
2. Pull the oil cup slightly outwards and remove the oil cup (pic. 2).

### Warning:

Increase the oil cup cleaning frequency if the hood is used for more than 2 hours a day. Always use genuine filters from the manufacturer.



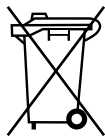
## Troubleshooting

Fault	Cause	Solution
Excessive vibration	The appliance is not installed properly on the brackets	Take down the appliance and check it is properly fixed
	The fan blade is damaged	Switch off the appliance. Contact Customer Service and Repair Centre
	The fan motor is not fixed tightly	
Light on but motor does not work	The fan blade is jammed	Switch off the appliance. Contact Customer Service and Repair Centre
	The motor is damaged	
Both light and motor do not work	Light bulb blown	Check power supply
	Power connection loose	
Suction performance reduced	Speed may be too low	Select a higher speed
	Distance between the cooker hood and the hob is too great	Readjust the distance to: Gas hobs: 750mm Electric hobs: 650mm
	Top vent might be obstructed	Clear any obstruction
	Optional vent kit might be twisted	Ensure that the vent kit is fitted to the manufacturer instructions



# Recycling and Disposal

---



Waste electrical products not to be disposed of with household waste. Please recycle where facilities exist. Check with your Local Authority or retailer for recycling advice.

The symbol on the product or its packaging indicates that this product should be handed over to an electric and electronic equipment collection point for recycling.

On ensuring that this product is disposed of correctly, you will help to avoid possible negative consequences for the environment and public health, which could occur if this product is not handled correctly. To receive more detailed information about recycling this product, contact your local government, domestic waste disposal services or the outlet where the product was bought.

## Technical Specification

---

Model	RDC-7356-SC	RDC-7457-SC
Voltage / Frequency	220 - 240 V ~50 / 60 Hz	220 - 240 V ~50 / 60 Hz
Power (Max)	303 W	303 W
Lighting	1.5W*2	1.5W*2
Motor Speed	Max. 2,800 RPM	Max. 2,800 RPM
Exhaust Flow	1,000 m <sup>3</sup> /h	1,000 m <sup>3</sup> /h
Product Dimensions (With Motor)	(H) 330 mm (W) 698 mm (D) 356 mm	(H) 330 mm (W) 698 mm (D) 457 mm
Net Weight	10.1 kg	10.6 kg

Specifications are subject to change without prior notice.

If there is any inconsistency or ambiguity between the English version and the Chinese version, the Chinese version shall prevail.

Refer to [www.germanpool.com](http://www.germanpool.com) for the most updated version of the User Manual.

# 目錄

---

警告及注意事項	19
產品結構	21
安裝說明	22
使用說明	25
使用說明：智能同步	26
清潔與維護	32
故障檢修	33
回收和處理	33
技術規格	34
保用條款	35

# 警告及注意事項

為安全起見，初次使用產品前請先細閱本說明書，並保存說明書，以便作參考之用。本產品只供家居使用。請必須依照本說明書內的指示安裝及操作。

## ⚠ 警告：

- 所有安裝工作必須由合格人員或合格的電工來執行。
- 必須嚴格按照製造商的說明，由具有適當資格的人員正確安裝本設備。
- 本設備符合所有當前的安全規例，但製造商必須強調，此合規性不能防止設備表面在使用過程中發熱並在運行過程中保持高溫。
- 在使用過程中，易觸及部件可能會變熱，幼兒應遠離，並應小心避免觸摸設備。
- 製造商強烈建議將本設備放在嬰兒和小孩接觸不到的地方。
- 如果對本產品進行安全監督或指導並瞭解其危害，則可以由8歲以上的兒童以及肢體、感覺或精神能力較弱或缺乏經驗和知識的人員使用本產品。兒童不得玩耍本產品，除非8歲以上的兒童並在有成人監督的情況下，否則兒童不得進行清潔和維護。
- 請將本產品及其電源線放在8歲以下兒童觸摸不到的地方。
- 定期檢查電源插頭和電源線是否損壞。如果電源線損壞，則必須由製造商、其服務代理商或具有類似資格的人員進行更換，以免發生危險或傷害。
- 請勿使電源線接觸設備的高溫部件。
- 確保電源線沒有被夾在設備下面或內部，並避免損壞電源電纜。
- 請勿將本設備安裝在潮濕的地方或容易漏水的地方，例如水槽下方或附近。萬一漏水，請讓機器自然乾燥。

## ⚠ 警告：

- 未按照這些說明安裝螺絲或固定裝置可能會導致電氣危險。
- 同時運行抽油煙機和帶電的設備時，房間內的負壓不得超過4Pa。
- 請妥善處理包裝材料。
- 請勿在設備附近使用易燃噴霧劑。
- 建議在使用和清潔過程中要格外小心。仔細閱讀本設備的清潔和保養部分。
- 請勿使用蒸氣清潔器。
- 本設備不能通過外部計時器或單獨的遠端控制系統進行操作。
- 本設備僅供家庭使用。

# 警告及注意事項

---

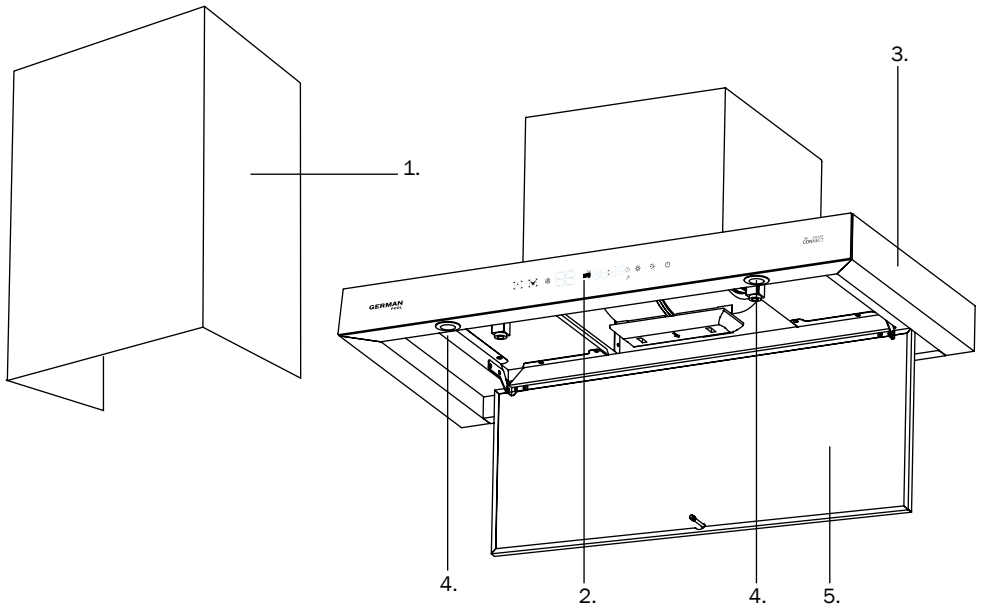
## ⚠ 警告：

- 有關煙氣出口的資訊，請參閱當地法例。請勿將通風櫃連接至通風或熱風管道。請與地方當局確認房間通風是否適當，並確保房間中設備的最大抽氣流量不超過4 Pa。如果將抽油煙機與以天然氣或其他燃料運行的器具同時使用，則房間必須有足夠的通風，不得將空氣排放到用於排出燃燒氣體或其他燃料的煙道中。必須遵守有關抽氣的規定。
- 連接抽油煙機之前，請關閉電源，並檢查提供的電壓和頻率是否與設備銘牌上指示的電壓和頻率一致。
- 在靜電釋放（例如閃電）期間，通風櫃可能會停止工作。此安全無損壞風險。請關閉抽油煙機的電源，一分鐘後重新連接。
- 為避免火災危險，請定期清潔金屬過濾網，並密切觀察和調節盛有熱油的鍋具。
- 如果抽油煙機有損壞或瑕疵，請不要使用，並聯絡客戶服務中心。
- 禁止在本設備下方進行火焰狀烹飪。
- 安裝設備時，請確保遵守以下規定，爐具頂部與抽油煙機底部之間的距離為：燃氣爐：750mm；電爐：650mm。
- 對於因誤用或錯誤安裝本設備而造成的人身或財產損失，製造商不承擔任何責任。
- 關於安裝方面的資訊，請參閱本手冊的以下段落。

## ⚠ 警告：

- 如果不按照指示進行清潔，則有觸電和火災的危險。

# 產品結構



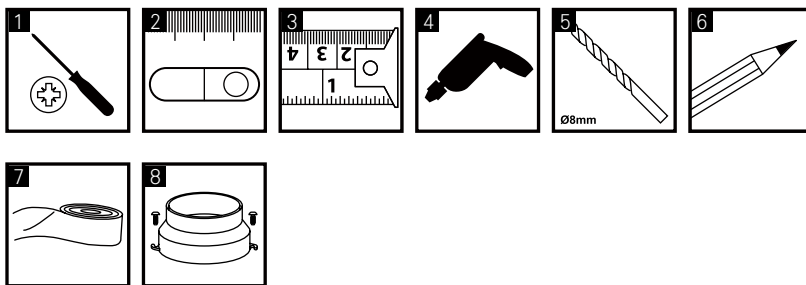
1. 裝飾煙通（另購）
2. 操作面板
3. 機身
4. LED照明燈
5. 整流板（內附集油杯）

# 安裝說明

## 安裝前注意事項

- 為避免在使用時存在危險，請務必正確安裝此抽油煙機，並仔細閱讀安全說明，以避免誤操作和危險，請保留此說明書以備將來參考，並將其傳遞給任何使用者。
- 檢查包裝，並確保列出了所有零件。
- 打開抽油煙機包裝後，請檢查抽油煙機是否完好無損。如有疑問，請勿使用該設備。
- 如果本產品包含玻璃，請小心安裝或搬運，以免造成人身傷害或產品損壞。
- 請確定適合安裝產品的位置。
- 在本設備上的規格銘牌顯示所有訂購更換零件所需的識別資訊。
- 如果您出售、送贈或丟棄本設備，請確保將本說明書交到新使用者，以便熟悉本設備及其安全警告。

## 安裝工具

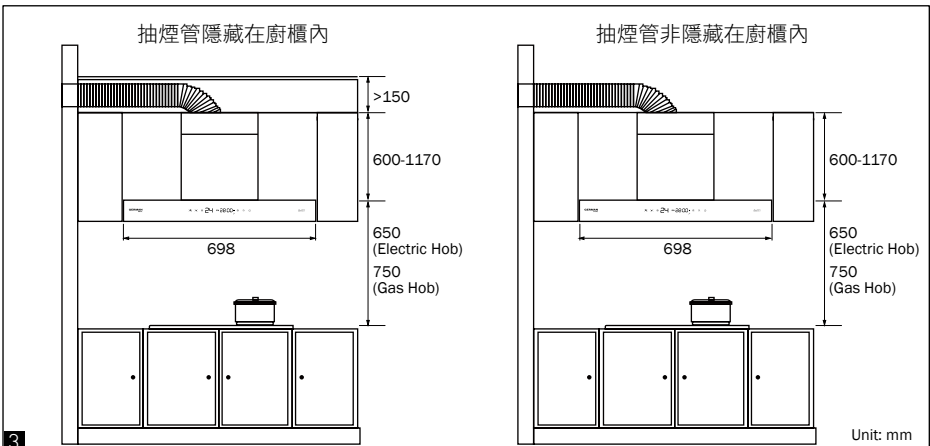
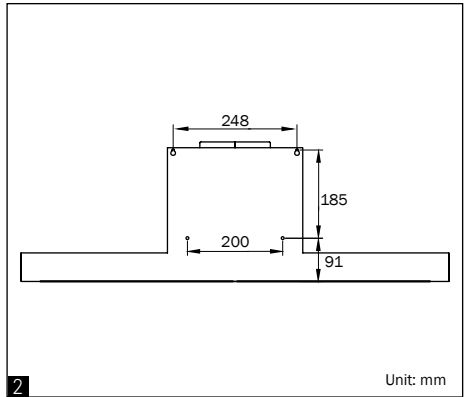
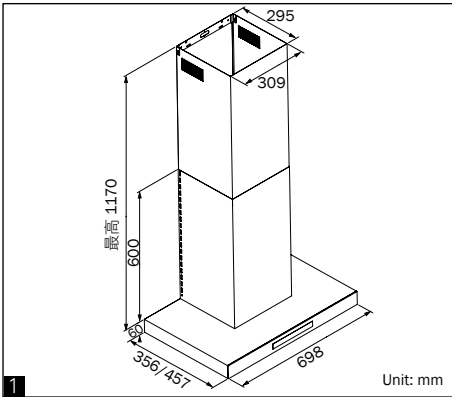


1. 十字螺絲批
2. 水平尺
3. 拉尺
4. 電鑽
5. 電鑽頭 (Ø8mm)
6. 鉛筆
7. 絕緣膠帶
8. 轉接器 (Ø150mm轉Ø120mm) 及M4\*8螺絲2顆

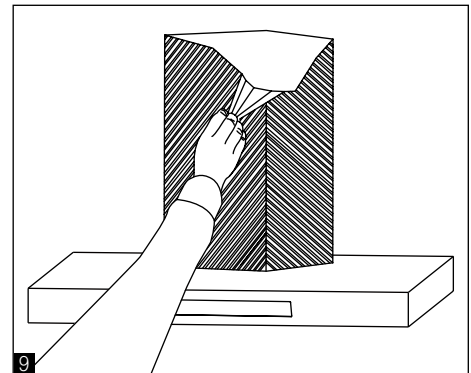
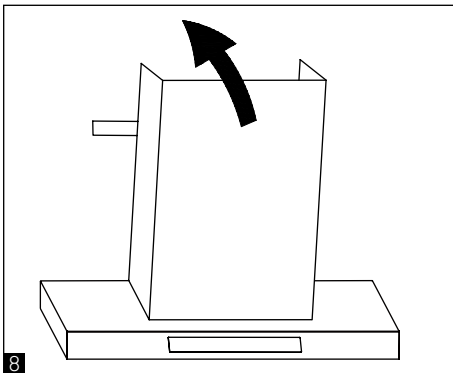
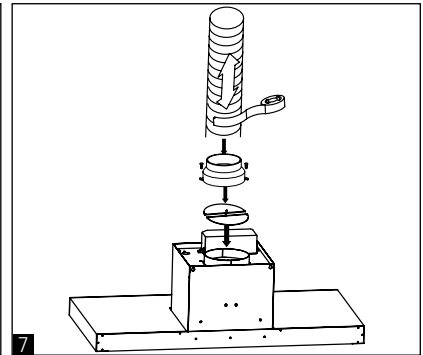
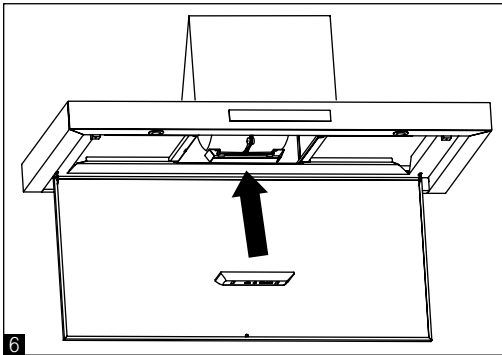
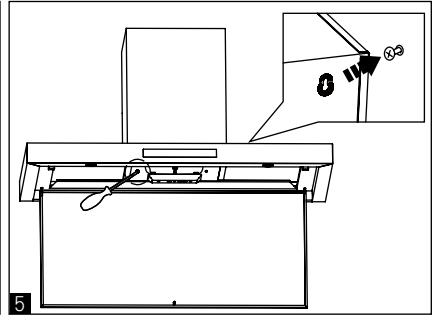
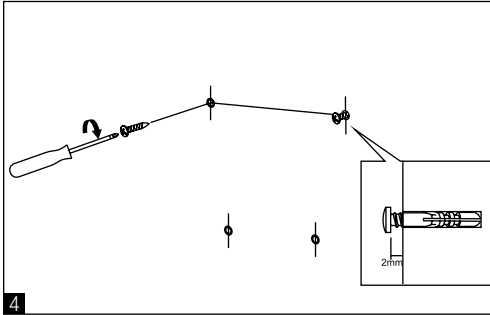
# 安裝說明

## 安裝步驟

1. 只能選擇外排出風方式；未按照這些說明安裝螺絲或固定裝置可能會導致電氣危險。
2. 在牆上標記孔的位置（如圖2）；隨附的牆壁插頭僅適用於實心牆壁。當固定在任何其他類型的牆壁上時，請使用合適的替代固定裝置。
3. 爐具頂部與抽油煙機底部之間的距離為：燃氣爐：750mm；電爐：650mm。（如圖3）
4. 在牆上標記好的位置鑽孔，並固定四個螺絲，螺絲頭離牆壁的距離保持2mm左右。（如圖4）
5. 在掛好抽油煙機後，鎖緊內部2顆安全螺絲。（如圖5）
6. 打開抽油煙機擋板，安裝油杯。（如圖6）
7. 用膠帶或卡箍固定102, 125mm或152mm的排風管（如有需要可使用 $\varnothing 150\text{mm}$ 轉120mm轉接器）。（如圖7）
8. 如果有選配裝飾管，將其放在抽油煙機頂部。（如圖8）
9. 去除機身所有保護膜後，安裝完成。（如圖9）



# 安裝說明



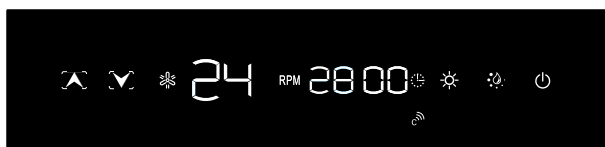
## 使用前注意事項

在帶開關的保險絲連接器上啟動設備，當設備已準備就緒即可以開始使用。



# 使用說明

## 控制面板



按鍵	說明
	<b>風速增 / 減鍵</b> 每次按鍵，風速檔位提升1級或降低1級。
	<b>超頻模式鍵</b> 按鍵後摩打進入Turbo Boost超頻模式，風速檔位顯示「hf」，並進行3分鐘倒計時，計時結束後回復之前的檔位。
	<b>風速檔位顯示</b> <ul style="list-style-type: none"><li>顯示實時風速檔位。</li><li>使用Turbo Boost超頻模式時顯示「hf」。</li></ul>
	<b>RPM轉速實時顯示 / 倒數顯示</b> <ul style="list-style-type: none"><li>顯示實時RPM轉速。</li><li>使用Turbo Boost超頻模式或3分鐘延時關機時，關機倒計時和轉速將交替顯示。(注：當延時關機指示燈熄滅時，抽油煙機直接關閉。)</li></ul>
	<b>延時關機指示燈</b> <ul style="list-style-type: none"><li>熄滅代表3分鐘延時關機功能關閉。</li><li>紅色常亮代表3分鐘延時關機功能啟用中。</li><li>在待機狀態下，長按電源鍵5秒開啟或關閉3分鐘延時關機功能。</li></ul>
	<b>智能同步指示燈</b> <ul style="list-style-type: none"><li>熄滅代表未使用或已取消「智能同步」功能。</li><li>紅色常亮代表處於「智能同步」功能中。</li><li>藍色常亮代表已退出「智能同步」功能。</li></ul>
	<b>照明鍵</b> 按鍵開燈或關燈。
	<b>自動電熱除油鍵</b> <ul style="list-style-type: none"><li>長按2秒，進入11分鐘倒計時，前10分鐘為加熱溶解機內油污，最後1分鐘為摩打運行排走油污。</li><li>運行期間再長按2秒以關閉自動電熱除油功能。</li></ul>
	<b>電源鍵</b> <ul style="list-style-type: none"><li>按鍵啟動抽油煙機。</li><li>當抽油煙機已啟動且延時關機指示燈以紅色常亮時，按鍵進入3分鐘延時關機，再按直接關機。</li><li>當油煙機已啟動且延時關機指示燈熄滅時，按鍵直接關機。</li><li>當抽油煙機已啟動，長按此鍵3秒即時關機。</li></ul>

## 智能手勢控制

在控制面板前約8cm距離內進行手勢操控，揮手時的手勢範圍覆蓋整個控制台。

**從左至右揮手:**啟動抽油煙機，摩打運行，照明燈亮著，並以上次關機前的檔位運行；抽油煙機運行時，再從左至右揮手，風速檔位升1級。**從右至左揮手:**關閉摩打和照明燈。

# 使用說明：智能同步

本產品為Smart Connect系列抽油煙機，配備「智能同步」功能，除獨立使用之外，亦可與同樣配備「智能同步」功能的Smart Connect系列爐具進行連接，貴客可隨時加購或升級Smart Connect系列爐具或抽油煙機，以使用「智能同步」功能。有關最新的Smart Connect系列產品資訊，請掃描右方二維碼。



## 注意：

本抽油煙機只可與配備「智能同步」功能之Smart Connect系列爐具進行連接，其他沒有「智能同步」功能的爐具一概不能與本抽油煙機進行連接及同步。

## 與爐具對頻

初次使用「智能同步」功能時，抽油煙機必須先與電磁爐進行對頻：

### 注意：

- 對頻只在初次使用「智能同步」功能時進行，或更換新的配備「智能同步」功能的爐具或抽油煙機時才需要重新對頻；當成功對頻後，往後使用「智能同步」功能時，無需再次進行對頻。
- 對頻操作必須在抽油煙機及爐具均在待機狀態（即已連接電源而沒有任何操作的情況）下方能進行。如抽油煙機或爐具正在操作中，將無法進行對頻。

## 步驟1：連接電源



將有「智能同步」功能的電磁爐及抽油煙機連接電源。

## 步驟2：啟動抽油煙機「智能同步」



同步長按**抽油煙機** ☀️「照明鍵」和 ⏻「電源鍵」2-3秒。




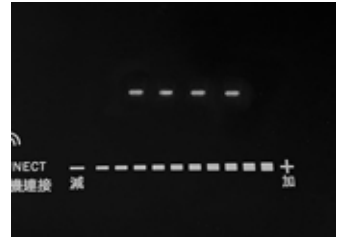
抽油煙機蜂鳴器發出提示聲響一聲，**抽油煙機**顯示屏上的 ☀️「智能同步指示燈」以藍色閃爍。

# 使用說明：智能同步

## 步驟3：開啟電磁爐




長按**左邊電磁爐頭**  「電源鍵」3秒開機，電磁爐蜂鳴器發出提示聲響一聲。



**左邊電磁爐頭**顯示屏顯示「----」。

## 步驟4：啟動電磁爐「智能同步」



長按**左邊電磁爐頭**  「定時/抽油煙機連接鍵」3秒，電磁爐蜂鳴器發出提示聲響一聲。

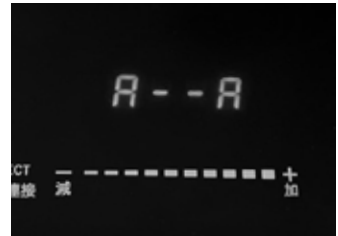


**左邊電磁爐頭**顯示屏顯示「CH--」。

## 步驟5：進行對頻





短按**左邊電磁爐頭**  「鎖定鍵」1秒進入對頻模式。



**左邊電磁爐頭**顯示屏顯示「A--A」。

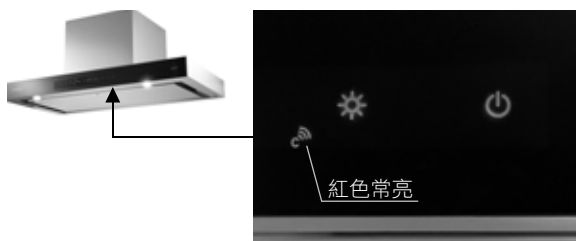
### 溫馨提示（顯示屏出現 LoC 的情況）：


如**左邊電磁爐頭**顯示屏出現 LoC，代表你按  「鎖定鍵」時間過長而錯誤啟動童鎖，再長按  「鎖定鍵」3-5秒取消童鎖，然後重覆第5步驟繼續進行對頻。




# 使用說明：智能同步

## 步驟6：對頻完成




當抽油煙機顯示屏上的  「智能同步指示燈」由藍色變成紅色常亮，表示對頻成功。

### 溫馨提示：

如  「智能同步指示燈」維持藍色，請重覆第4-6步驟進行對頻。

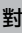
## 步驟7：退出對頻



對頻成功後，短按**左邊電磁爐頭**  「鎖定鍵」1秒退出對頻。




















**左邊電磁爐頭**顯示屏顯示「CH--」，表示「智能同步功能」已啟動。

### 溫馨提示：

**對頻需在3分鐘內完成**，如抽油煙機在  「智能同步指示燈」閃爍3分鐘內未接收到對頻訊號，將自動退出對頻狀態，必須由第2步驟開始重新進行對頻。

# 使用說明：智能同步

## 簡易對頻快速指南

步驟	相關產品	電磁爐	抽油煙機
1			
步驟	對頻程序按鍵	電磁爐顯示	抽油煙機顯示
2	  + 	沒有顯示	 以藍色閃爍
3	 	- - - -	 以藍色閃爍
4	 	C H - -	 以藍色閃爍
5 & 6	 	A - - A	 以紅色常亮
7	 	C H - - 代表對頻完成	 以紅色常亮 代表對頻完成

完成對頻程序後，可以開始使用電磁爐和抽油煙機的「智能同步」功能。

觀看對頻視頻



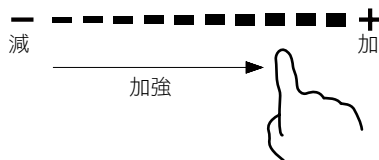
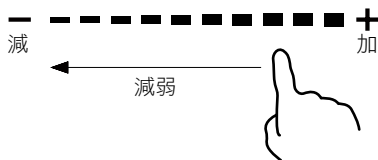
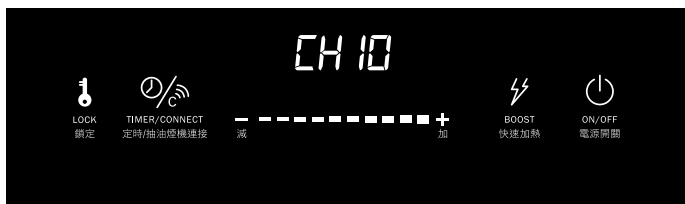
# 使用說明：智能同步

## 「智能同步」功能操作

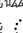
### 注意：

- 「智能同步」功能為整機同步，左右爐頭將同時進入或同時退出「智能同步」功能。
- 在「智能同步」功能下關閉電磁爐，重啟電磁爐後將自動進入「智能同步」功能；在非「智能同步」功能下關閉電磁爐，重啟電磁爐後不會進入「智能同步」功能，需手動進入「智能同步」功能。
- 電磁爐頭上必須放置合適的導磁鍋具（鍋內必須有水），電磁爐頭方會啟動。

1. 在「智能同步」功能下，抽油煙機檔位會按照電磁爐加熱檔位自動進行調整：

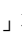


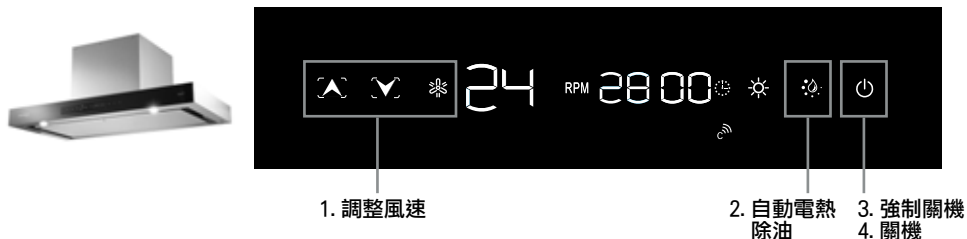
爐具檔位（左右爐頭檔位雙加）	抽油煙機檔位
1-2	2
3-4	5
5-6	8
7-8	11
9-10	14
11-12	17
13	20
14	22
15	24



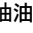
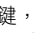
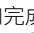
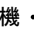
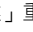


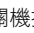
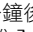
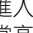
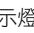
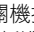
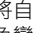
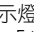
2. 當電磁爐關機或加熱檔位調節為0檔時，抽油煙機將自動於3分鐘後關機（如抽油煙機延時關機功能  關閉時，則抽油煙機將即時關機）。

# 使用說明：智能同步

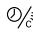
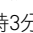
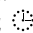
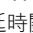

## 手動操作抽油煙機（退出「智能同步」功能）

在「智能同步」功能下，如果對**抽油煙機**進行任何按鍵（開關照明燈除外）或使用Gesture Control 手勢操控，將退出「智能同步」功能，此時**抽油煙機**顯示屏上的  「智能同步指示燈」由紅色變成藍色常亮：



1. 調整風速	<ul style="list-style-type: none"><li>在抽油煙機運作期間，按<b>抽油煙機</b>  「風速增/減鍵」或  「超頻模式鍵」調整風速後，須按<b>抽油煙機</b>  「電源鍵」重新進入「智能同步」功能。</li></ul>
2. 自動電熱除油	<ul style="list-style-type: none"><li>按<b>抽油煙機</b>  「自動電熱除油」鍵，如完成整個自動電熱除油過程後，抽油煙機將自動重新進入「智能同步」功能，<b>抽油煙機</b>  「智能同步指示燈」由藍色變成紅色常亮。</li><li>自動電熱除油期間，如再按<b>抽油煙機</b>  「自動電熱除油鍵」取消此功能，須按<b>抽油煙機</b>  「電源鍵」重新進入「智能同步」功能。</li></ul>
3. 強制關機	<ul style="list-style-type: none"><li>在任何情況下，長按<b>抽油煙機</b>  「電源鍵」3秒或從右往左揮手，抽油煙機將即時關機；須按<b>抽油煙機</b>  「電源鍵」或從左至右揮手，重新進入「智能同步」功能。</li></ul>
4. 關機	<ul style="list-style-type: none"><li>在延時關機功能啟用中（ 延時關機指示燈以紅色常亮），按<b>抽油煙機</b>  「電源鍵」關機，等待3分鐘後關機或再按<b>抽油煙機</b>  「電源鍵」直接關機後，抽油煙機將自動重新進入「智能同步」功能，<b>抽油煙機</b>  「智能同步指示燈」由藍色變成紅色常亮。</li><li>在延時關機功能關閉時（ 延時關機指示燈熄滅），按<b>抽油煙機</b>  「電源鍵」關機後，抽油煙機將自動重新進入「智能同步」功能；<b>抽油煙機</b>  「智能同步指示燈」由藍色變成紅色常亮。</li></ul>

## 取消「智能同步」功能

- 在「智能同步」功能下，如果長按**左邊電磁爐頭**  「定時/抽油煙機連接鍵」，電磁爐將取消「智能同步」功能，**抽油煙機**進入倒計時3分鐘後關機，或可直接按**抽油煙機**  「電源鍵」立即關機（如抽油煙機延時關機功能  關閉時，則抽油煙機將即時關機），此時**抽油煙機**顯示屏上的  「智能同步指示燈」由紅色變成藍色。
- 如需重新啟用「智能同步」功能，長按**左邊電磁爐頭**  「定時/抽油煙機連接鍵」即可。

# 清潔與維護

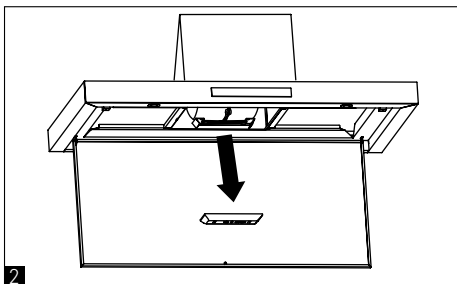
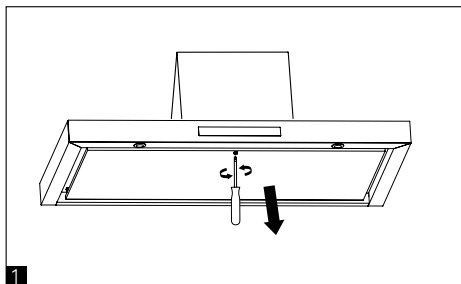
## 清洗集油杯

為避免起火，每月或每次使用電熱除油功能後，請徹底清潔集油杯。卸下集油杯後，以熱水和清潔劑浸泡一小時。如果使用洗碗機清潔，清洗溫度請勿高於65°C。

1. 用十字螺絲刀逆時針旋轉鬆螺絲後，將抽油煙機擋板往下拉。（如圖1）
2. 將集油杯輕輕往外拉，取出集油杯。（如圖2）

### ⚠ 警告：

如每天使用抽油煙機2小時以上，請增加集油杯清潔/更換頻率，並始終使用原裝集油杯。

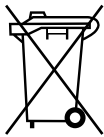




# 故障檢修

故障現象	原因分析	處理方法
過度振動	設備未正確安裝在支架上	取下設備並檢查其是否正確固定
	風扇葉片已損壞	關閉設備，聯絡客戶服務中心
	風扇摩打未牢固固定	
燈亮但摩打不運作	風扇葉片被卡住	
燈和摩打不運作	摩打損壞	檢查電源
	燈泡損壞	
抽吸性能低	電源連接不穩固	檢查電源
	速度檔位可能太低	選擇更高的速度檔位
	抽油煙機與爐頭之間的距離太大	重新調整距離至： 燃氣爐：750mm 電爐：650mm
	頂部通風孔可能被阻塞	清除任何障礙物
	可選的排氣套件可能會扭曲	確保所選排氣套件符合製造商的說明

# 回收和處理



廢棄電子產品不應與生活垃圾一起處理，請向地方當局或零售商諮詢有關回收的建議。

產品或其包裝上的符號表示該產品不能作為普通家庭垃圾處理，該產品必須移交給電氣和電子設備收集點以進行回收。

在確保正確處理本產品時，您將避免由於不正確處理本產品而對環境和公眾健康造成的負面影響。要獲取有關此產品回收的更詳細資訊，請與政府、廢物處理服務或購買該產品的商店聯繫。

# 技術規格

---

型號	RDC-7356-SC	RDC-7457-SC
電壓 / 頻率	220 - 240 V ~50 / 60 Hz	220 - 240 V ~50 / 60 Hz
功率 (最大)	303 W	303 W
照明燈	1.5W*2	1.5W*2
摩打轉速	Max. 2,800 RPM	Max. 2,800 RPM
排風量	1,000 m <sup>3</sup> /h	1,000 m <sup>3</sup> /h
機身尺寸 (含摩打)	(H) 330 mm (W) 698 mm (D) 356 mm	(H) 330 mm (W) 698 mm (D) 457 mm
淨重	10.1 kg	10.6 kg

產品規格及設計如有變更，恕不另行通知。

中英文版本如有出入，一概以中文版為準。

本產品使用說明書以[www.germanpool.com](http://www.germanpool.com)網上版為最新版本。

# 保用條款

此保用提供德國寶產品之機件在正常使用下壹年保用(自購買日起計算)。

\* 貴戶須在購機十天內，以下列其中一種方式向本公司登記資料，保用手續方正式生效：

1) 填妥本公司網頁內之保用登記表格

[www.germanpool.com/warranty](http://www.germanpool.com/warranty)

2) 填妥保用登記卡，郵寄至本公司。



# Warranty Terms & Conditions

Under normal operations, the product will guarantee a 1-year full warranty provided by German Pool (effective from the date of purchase).

\* This warranty is not valid until customer registration information is received by our Service Centre within 10 days of purchase via one of the following means:

1) Visit our website and register online:

[www.germanpool.com/warranty](http://www.germanpool.com/warranty)

2) Complete all the fields on the attached Warranty Card and mail it back to our Customer Service Centre.



另請填妥以下表格並與正本發票一併保存，以便維修時核對資料。用戶提供之所有資料必須正確無誤，否則免費保用將會無效。 Please fill out the form below. This information and the original purchase invoice will be required for any repairs. Warranty will be invalidated if information provided is found to be inaccurate.

型號 Model No. :  RDC-7356-SC  RDC-7457-SC

機身號碼 Serial No. : \_\_\_\_\_ 發票號碼 Invoice No. : \_\_\_\_\_

購買商號 Purchased From : \_\_\_\_\_ 購買日期 Purchase Date : \_\_\_\_\_

- 未能出示購買發票正本者，將不獲免費維修服務。
- 用戶應依照說明書的指示操作。本保用並不包括：
  - 上門安裝、檢驗、維修或更換零件之人工以及一切運輸費用；
  - 因天然與人為意外造成的損壞 (包括運輸及其他)；
  - 電源接合不當、不依說明書而錯誤或疏忽使用本機所引致之損壞。
- 於下列情況下，用戶之保用資格將被取消：
  - 購買發票有任何非認可之刪改；
  - 產品被用作商業或工業用途；
  - 產品經非認可之技術人員改裝或加裝任何配件；
  - 機身編號被擅自塗改、破壞或刪除。
- 總代理有權選擇維修或更換配件或其損壞部份。
- 產品一經被轉讓，其保用即被視作無效。

- Customer who fails to present original purchase invoice will not be eligible for free warranty service.
- Customer should always follow the operating instructions. This warranty does not apply to:
  - labour costs for on-site installation, check-up, repair, replacement of parts and other transportation costs;
  - damages caused by accidents of any kind (including material transfer and others);
  - operating failures resulting from applying incorrect voltage, improper usage, and unauthorized installations or repairs.
- This warranty is invalid if:
  - the purchase invoice is modified by an unauthorized party;
  - the product is used for any commercial or industrial purposes;
  - the product is repaired or modified by unauthorized personnel, or unauthorized parts are installed;
  - the serial number is modified, damaged or removed from the product.
- German Pool will, at its discretion, repair or replace any defective part.
- This warranty will be void if there is any transfer of ownership from the original purchaser.

## 客戶服務及維修中心

香港

九龍九龍灣大業街59號

三湘九龍灣貨運中心地下B室

電話：+852 2333 6249

傳真：+852 2356 9798

電郵：[repairs@germanpool.com](mailto:repairs@germanpool.com)

澳門

澳門俾利喇街145號

寶豐工業大廈3樓

電話：+853 2875 2699

傳真：+853 2875 2661

## Customer Service & Repair Centre

Hong Kong

Unit B, G/F,

Sunshine Kowloon Bay Cargo Centre,

59 Tai Yip Street, Kowloon

Tel : +852 2333 6249

Fax : +852 2356 9798

Email : [repairs@germanpool.com](mailto:repairs@germanpool.com)

Macau

3/F, Edificio Industrial Pou Fung,

145 Rua de Francisco Xavier Pereira,

Macau

Tel : +853 2875 2699

Fax : +853 2875 2661

此保用只適用於香港及澳門

This warranty is valid only in Hong Kong and Macau

## German Pool (Hong Kong) Limited

### Hong Kong

Room 113, Newport Centre Phase II, 116 Ma Tau  
Kok Road, Tokwawan, Kowloon, Hong Kong.  
Tel: +852 2773 2888  
Fax: +852 2765 8215

### China

8th, Xinxiang Road, Wusha Industrial Park,  
Daliang, Shunde, Foshan, Guangdong  
Tel: +86 757 2219 6888  
Fax: +86 757 2219 6809

### Macau

3/F, Edificio Industrial Pou Fung,  
145 Rua de Francisco Xavier Pereira, Macau  
Tel: +853 2875 2699  
Fax: +853 2875 2661



香港《S MARK》  
安全認證



中國標榜/家電行業  
十大影響力品牌



CEO非凡品牌大賞



香港優質商標



香港工商業獎



2007  
最具潛質  
創星品牌企業獎



香港中小企業  
最佳拍檔大獎



香港消費者推祟品牌



香港《Q標》  
優質服務證書



香港名牌十年成就獎  
HONG KONG TOP BRAND TEN YEAR  
ACHIEVEMENT AWARD

© All rights reserved. Copying, reproducing or using the contents of this manual is not allowed without prior authorization from German Pool, violators will be prosecuted.