

2-Doors Built-In Refrigerator

REF-365



Online Warranty Registration



Please read these instructions and warranty information carefully before use and keep them handy for future reference.

USER MANUAL

請即進行保用登記!

有關保用條款細則，請看本說明書最後一頁。

Please register your warranty information now!

For Warranty Terms & Conditions,
please refer to the last page of this user manual.

Table of Contents

Warnings and Recommendations	04
Product Structure	09
Installation	10
Functions	17
Cleaning & Maintenance	18
Troubleshooting	20
Technical Specifications	21
Warranty Terms & Conditions	39

Warnings and Recommendations

1.1 Warnings



Warning: risk of fire / flammable materials

This appliance is intended to be used in household and similar applications such as staff kitchen areas in shops, offices and other working environments; farm houses and by clients in hotels, motels and other residential type environments; bed and breakfast type environments; catering and similar non-retail applications.

If the supply cord is damaged, it must be replaced by the manufacturer, its service agent or similarly qualified persons in order to avoid hazard.

Do not store explosive substances such as aerosol cans with a flammable propellant in this appliance.

The appliance has to be unplugged after use and before carrying out user maintenance on the appliance.



WARNING!

- Keep ventilation openings, in the appliance enclosure or in the built-in structure, clear of obstruction.
- Do not use mechanical devices or other means to accelerate the defrosting process, other than those recommended by the manufacturer.
- Do not damage the refrigerant circuit.
- Do not use electrical appliances inside the food storage compartments of the appliance, unless they are of the type recommended by the manufacturer.
- Please abandon the refrigerator according to local regulations for it uses flammable blowing gas and refrigerant.
- When positioning the appliance, ensure the supply cord is not tapped or damaged.
- Do not locate multiple portable socket-outlets or portable power supplies at the rear of the appliance.
- Do not use extension cords or ungrounded (two prong) adapters.
- **DANGER:** Risk of child entrapment.

Before you throw away your old refrigerator or freezer:

Take off the doors. Leave the shelves in place so that children may not easily climb inside.

The refrigerator must be disconnected from the source of electrical supply before attempting the installation of the appliance.

Refrigerant and Cyclopentane foaming material used for the refrigerator are flammable. Therefore, when the refrigerator is scrapped, it shall be kept away from any fire source and be recycled by a special recycle company with corresponding qualification other than be disposed by combustion, so as to prevent damage to the environment or any other harm.

Warnings and Recommendations

For EN Standard:

This appliance can be used by children aged from 8 years and above and persons with reduced physical, sensory or mental capabilities or lack of experience and knowledge if they have been given supervision or instruction concerning use of the appliance in a safe way and understand the hazards involved. Children shall not play with the appliance. Cleaning and user maintenance shall not be made by children without supervision. Children aged from 3 to 8 years are allowed to load and unload refrigerating appliances.

For IEC Standard:

This appliance is not intended for use by persons (including children) with reduced physical, sensory or mental capabilities, or lack of experience and knowledge, unless they have been given supervision or instruction concerning use of the appliance by a person responsible for their safety.

Children should be supervised to ensure that they do not play with the appliance.

To avoid contamination of food, please respect the following instructions

- Opening the door for long periods can cause a significant increase of the temperature in the compartments of the appliance.
- Clean regularly surfaces that can come in contact with food and accessible drainage systems.
- Clean water tanks if they have not been used for 48 hours. Flush the water system connected to a water supply if water has not been drawn for 5 days. (note 1)
- Store raw meat and fish in suitable containers in the refrigerator, so that it is not in contact with or drip onto other food.
- Two-star ** frozen-food compartments are suitable for storing pre-frozen food, storing or making ice-cream and making ice cubes. (note 2)
- One * -, two ** - and three-star*** compartments are not suitable for the freezing of fresh food. (note 3)
- If the refrigerator is left empty for a long period, switch off, defrost, clean, dry, and leave the door open to prevent mould developing within the appliance.
- Note 1, 2.3: Please confirm whether it is applicable according to you product compartment type.

Warnings and Recommendations

1.2 Meaning of Safety Warning Symbols



This is a prohibition symbol.

Any inobservance with instructions marked with this symbol may result in damage to the product or endanger the personal safety of the user.



This is a warning symbol.

It is required to operate in strict observance of instructions marked with this symbol; or otherwise damage to the product or personal injury may be caused.

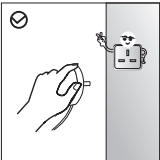


This is a cautioning symbol.

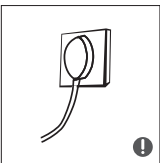
Instructions marked with this symbol require special caution. Insufficient caution may result in slight or moderate injury, or damage to the product.

This manual contains a lot of important safety information which shall be observed by the users.

1.3 Electricity Related Warnings



- Do not pull the power cord when pulling the power plug of the refrigerator. Please firmly grasp the plug and pull it out from the socket directly.
- To ensure safe use, do not damage the power cord or use the power cord when it is damaged or worn.

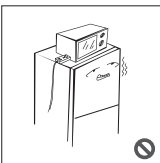


- Please use a dedicated power socket and the power socket shall not be shared with other electrical appliances. The power plug should be firmly contacted with the socket or else fires might be caused.
- Please ensure that the grounding electrode of the power socket is equipped with a reliable grounding line.



- Please turn off the valve of the leaking gas and then open the doors and windows in case of leakage of gas and other flammable gases.

Do not unplug the refrigerator and other electrical appliances considering that any sparks may cause a fire.



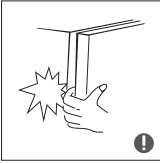
- Do not use electrical appliances on the top of the appliance unless they are of the type recommended by the manufacturer.

Warnings and Recommendations

1.4 Warnings for Using



- Do not arbitrarily disassemble or reconstruct the refrigerator, nor damage the refrigerant circuit; maintenance of the appliance must be conducted by a specialist.
- Damaged power cord must be replaced by the manufacturer, its maintenance department or related professionals in order to avoid danger.



- The gaps between refrigerator doors and between doors and refrigerator body are small, be careful not to put your hand in these areas to prevent doors shut on your fingers. Please be gentle when closing the refrigerator door to avoid objects falling.
- Do not pick up foods or containers with wet hands in the freezing chamber when the refrigerator is running, especially metal containers in order to avoid frostbite.



- Do not allow any children to get into or climb up the refrigerator; otherwise suffocation or falling injury of the child may be caused.

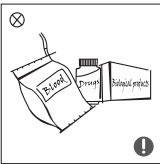


- Do not place heavy objects on the top of the refrigerator considering that objects may fall when closing or opening the door, and accidental injuries might be caused.
- Please pull out the plug in case of power failure or cleaning. Do not connect the freezer to power supply within five minutes to prevent damages to the compressor due to successive starts.

1.5 Warnings for Placement



- Do not put flammable, explosive, volatile and highly corrosive items in the refrigerator to prevent damages to the product or fire accidents.
- Do not place flammable items near the refrigerator to avoid fires.



- The refrigerator is intended for household use, such as storage of foods; it shall not be used for other purposes, such as storage of blood, drugs or biological products, etc.



- Do not store beer, beverage or other fluid contained in bottles or enclosed containers in the freezing chamber of the refrigerator; otherwise the bottles or enclosed containers may crack due to freezing to cause damages.

Warnings and Recommendations

1.6 Warnings for Energy

- The refrigerator might not operate consistently (possibility of defrosting of contents or temperature becoming too warm in the frozen food compartment) when kept for an extended period of time below the cold end of the range of temperatures for which the refrigerating appliance is designed.
- The fact that effervescent drinks should not be stored in food freezer compartments or cabinets or in low-temperature compartments or cabinets, and that some products such as water ices should not be consumed too cold.
- The need to not exceed the storage time(s) recommended by the food manufacturers for any kind of food and particularly for commercially quick-frozen food in food-freezer and frozen-food storage compartments or cabinets.
- The precautions necessary to prevent an undue rise in the temperature of the frozen food while defrosting the refrigerator, such as wrapping the frozen food in several layers of newspaper.
- The fact that a rise in temperature of the frozen food during manual defrosting, maintenance or cleaning could shorten the storage life.
- The necessity that, for doors or lids fitted with locks and keys, the keys be kept out of the reach of children and not in the vicinity of the refrigerator, in order to prevent children from being locked inside.

1.7 Warnings for Disposal



Refrigerant and cyclopentane foaming material used for the refrigerator are flammable. Therefore, when the refrigerator is scraped, it shall be kept away from any fire source and be recycled by a special recycle company with corresponding qualification other than be disposed by combustion, so as to prevent damage to the environment or any other harm.



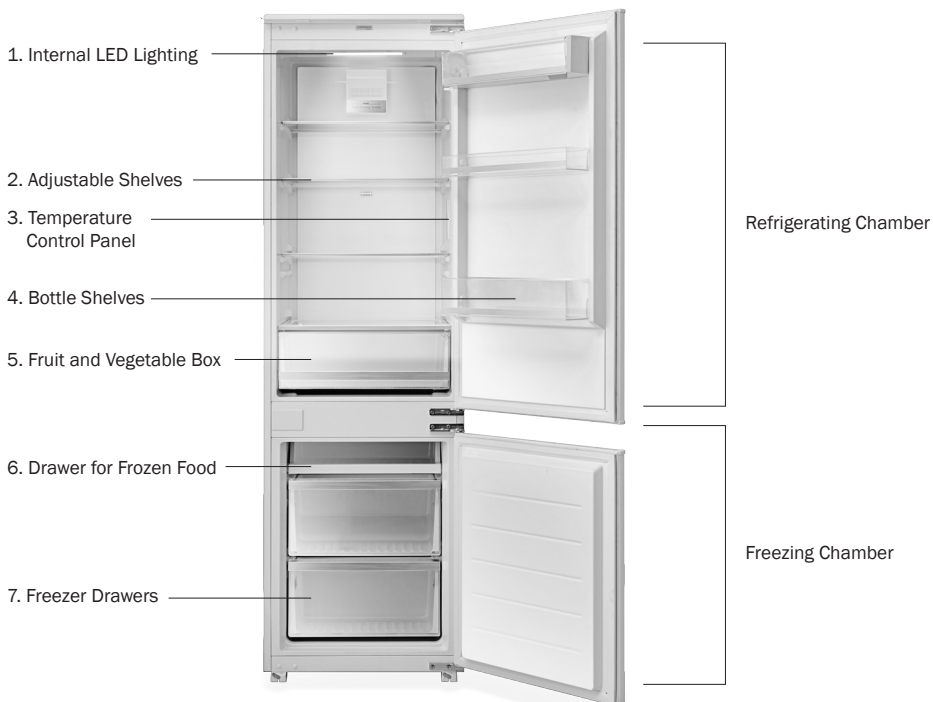
When the refrigerator is scraped, disassemble the doors, and remove gasket of door and shelves; put the doors and shelves in a proper place, so as to prevent trapping of any child.



Correct Disposal of this Product

This marking indicates that this product should not be disposed of with other household wastes throughout the EU. To prevent possible harm to the environment or human health from uncontrolled waste disposal, recycle it responsibly to promote the sustainable reuse of material resources. To return your used device, please use the return and collection systems or contact the retailer where the product was purchased. They can take this product for environmental safe recycling.

Product Structure



Refrigerating Chamber

- The Refrigerating Chamber is suitable for storage of a variety of fruits, vegetables, beverages and other food consumed in the short term.
- Cooked foods shall not be put in the refrigerating chamber until cooled to room temperature.
- Foods are recommended to be wrapped up before putting into the refrigerator.
- The glass shelves can be adjusted for a reasonable amount of storage space.

Freezing Chamber

- The low temperature freezing chamber may keep food fresh for a long time and it is mainly used to store frozen foods and making ice.
- The freezing chamber is suitable for storage of meat, fish and other foods not to be consumed in the short term.
- Pieces of meat are preferably be divided into small pieces for easy access.
- Please note that the refrigerated food shall be consumed within its shelf life.

Note:

Storage of too much food during operation after an initial connection to power may adversely affect the freezing effect of the refrigerator. Foods stored shall not block the air outlet, or otherwise the freezing effect will be adversely affected.

Installation

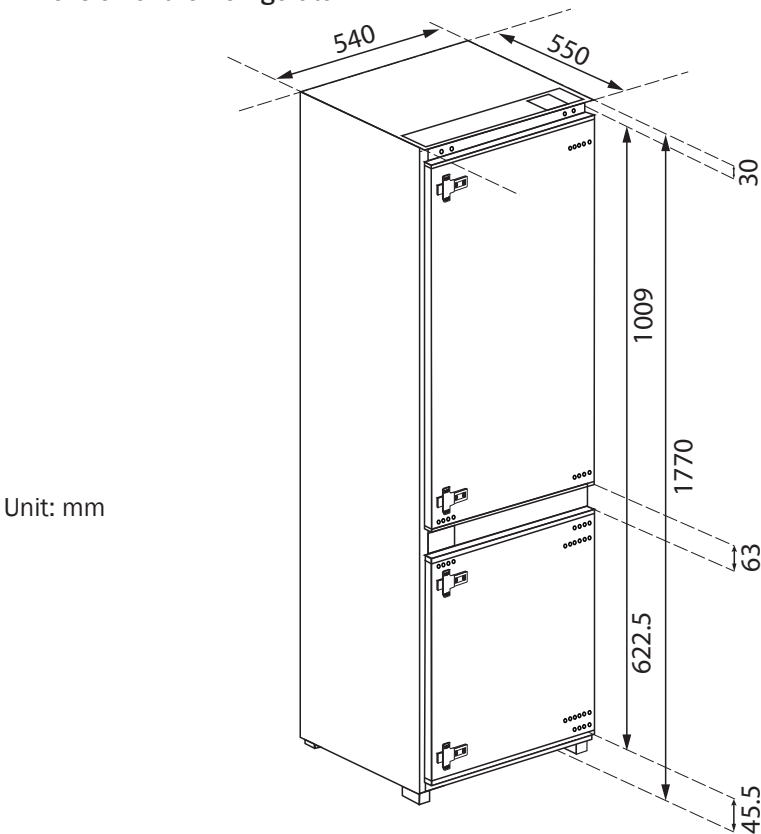
Placement

Remove all packing materials, including bottom cushions, foam pads and tapes inside of the refrigerator, tear off the protective film on the doors and the refrigerator body.

Check that the appliance is not damaged. The retailer must be informed of any damage to the appliance within 24 hours of delivery.

- Keep it away from heat and avoid direct sunlight.
- Do not spray or wash the refrigerator; do not put the refrigerator in moist places where it can be splashed with water so as not to affect the electrical insulation properties of the refrigerator.
- The refrigerator should be placed in a well-ventilated indoor location; on a flat and sturdy ground.
- Check that the mains voltage is the same as that indicated on the rating plate.

Dimension of the Refrigerator

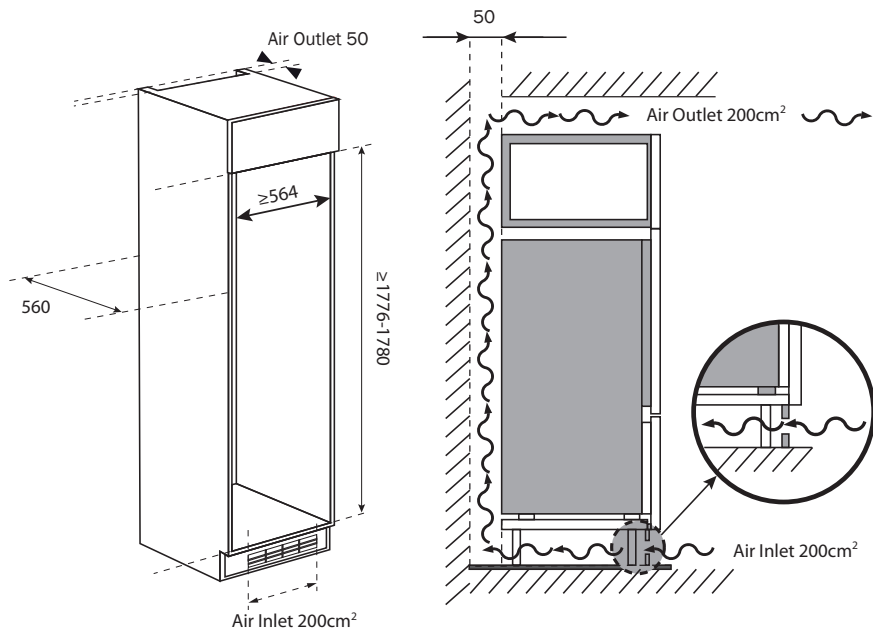


WARNING!

Precautions before installation: Information in the Instruction Manual is only for reference. The actual product may differ. Before installation and adjusting of accessories, it shall be ensured that the refrigerator is disconnected from power.

Installation

Dimension of the Cabinet



Unit: mm



WARNING!

When installing the cabinet, please leave enough room for the cabinet door hinge and cabinet door panel to ensure proper closure.

Please ensure that the refrigerator is well ventilated. Ventilation openings must be provided both at the bottom and the back of the cabinetry to allow for appropriate air flow.

Installation

Built-in Installation



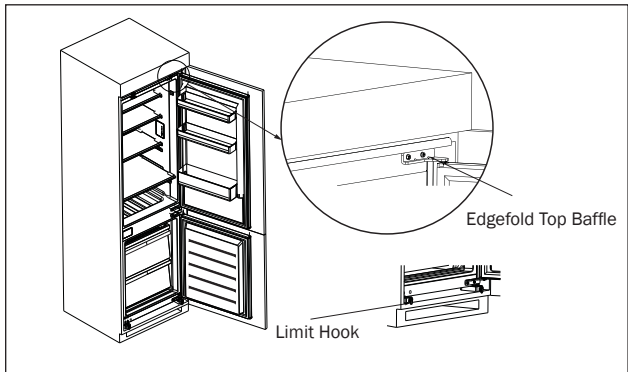
WARNING!

- Do not install it near to sources of heat such as heaters, radiators, cookers, etc. Avoid direct sunlight.
- After the appliance has been placed in its final position, leave it for about an hour before connecting the power supply.
- Make sure the appliance is working properly before placing any food in it.
- Run the refrigerator for 2-3 hours in winter or at least 4 hours in the summer before placing any food in it.

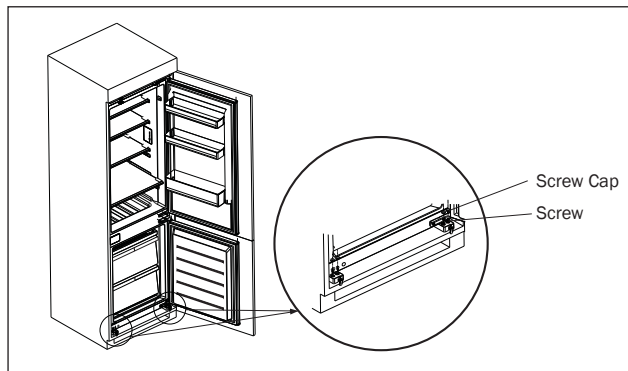
Steps

1. The dimensions of the cabinet must correspond to those specified figures in the diagram.

2. Push the refrigerator into the cabinet and adjust it to make sure the edge fold of top baffle completely touch the top edge of the cabinet, and the limit hook of supporting leg completely touch the bottom edge of the cabinet.

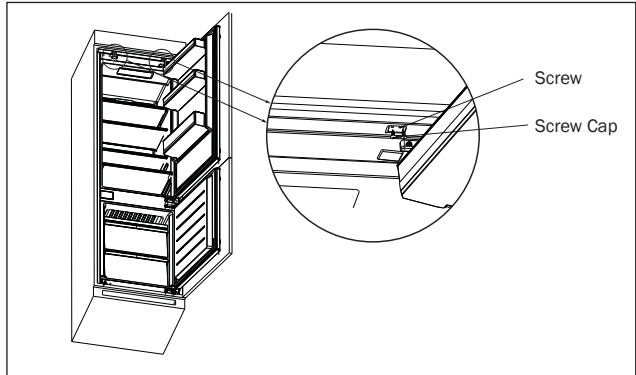


3. Fix the supporting leg with screws and then install the screw caps.

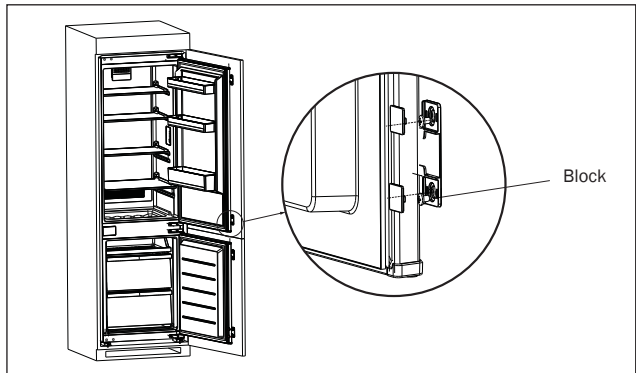


Installation

4. Fix the top baffle to the top of the cabinet inner with screws and then install the screw caps.

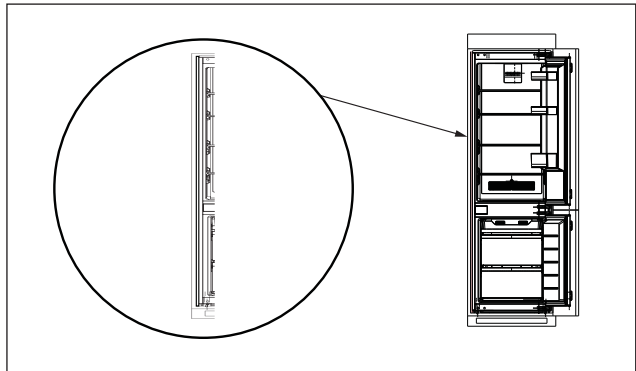


5. Open the lower door of cabinet the maximum angle, and open the lower door of the refrigerator to the corresponding position. Sliding the block to make sure inner edge align with the lower door edge of refrigerator, then fix the block to the door of cabinet with screw and install screw caps.



6. Fix the upper refrigerator door to the cabinet door in the same way.

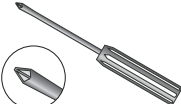



7. Take out the sealing strip from accessory bag, and press it in the gap between the cabinet and the refrigerator. Installation is completed.



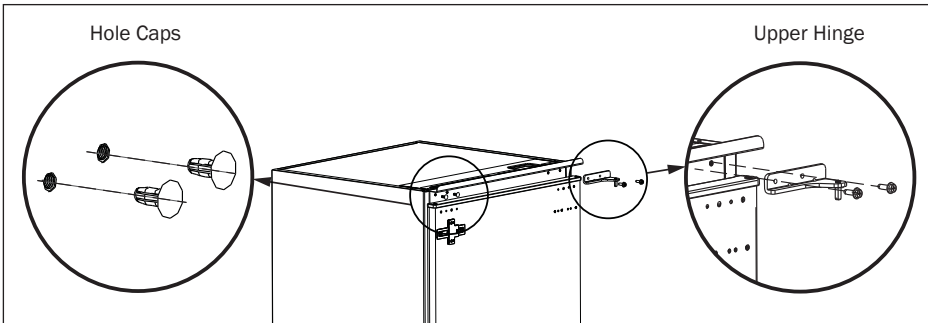
Installation

Reversing the Door Opening Direction

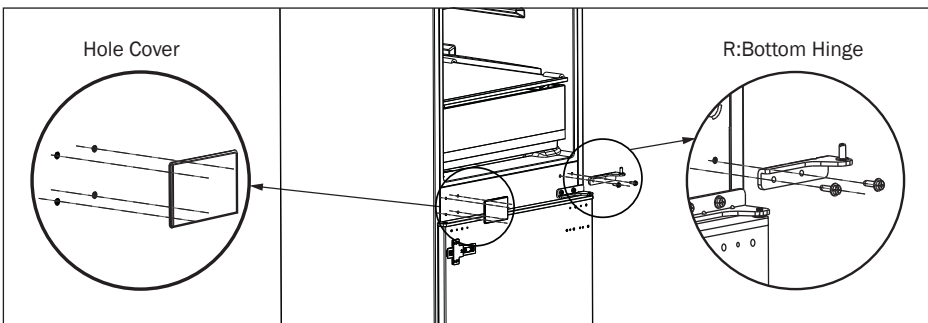
You can skip this part if the refrigerator door opens in the right direction. Otherwise, reverse the position of the hinges. To do this, carefully place the appliance on its back. Use spacers to prevent crushing the condenser pipes and damaging the compressor unit.

List of Tools to be provided by the user			
	Cross Screwdriver		Putty knife thin-blade Screwdriver
	5/16" socket and ratchet		Masking Tape

1. Power off the refrigerator, and remove all objects from the door trays

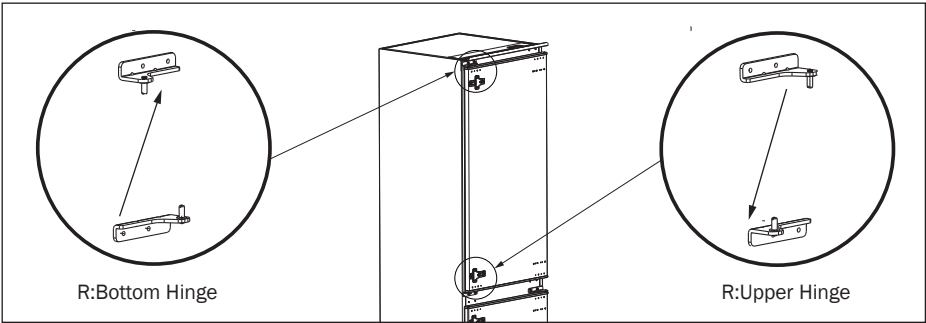


2. Remove the upper hinge and hole caps of refrigerator door.

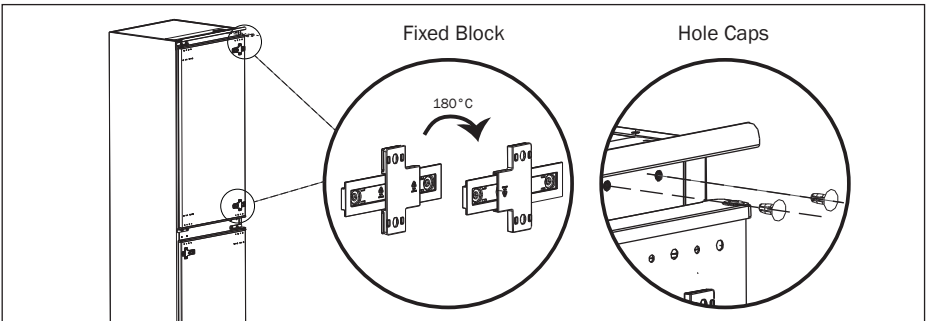


3. Remove the refrigerator door, the bottom hinge and the hole cover.

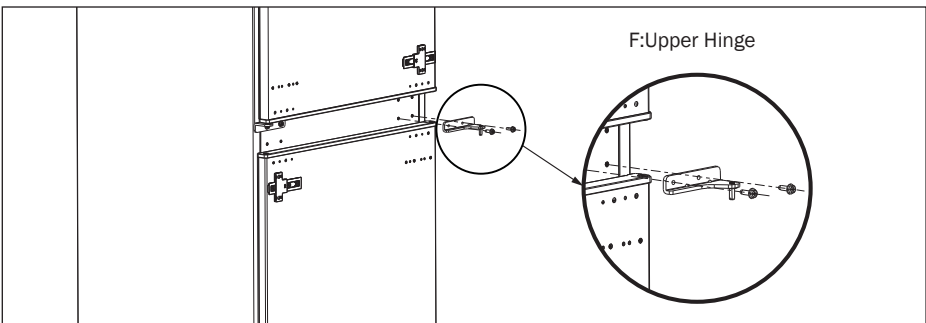
Installation



4. Exchange the R: bottom hinge and R: upper hinge, then install them according to below steps, and install the top hole caps.

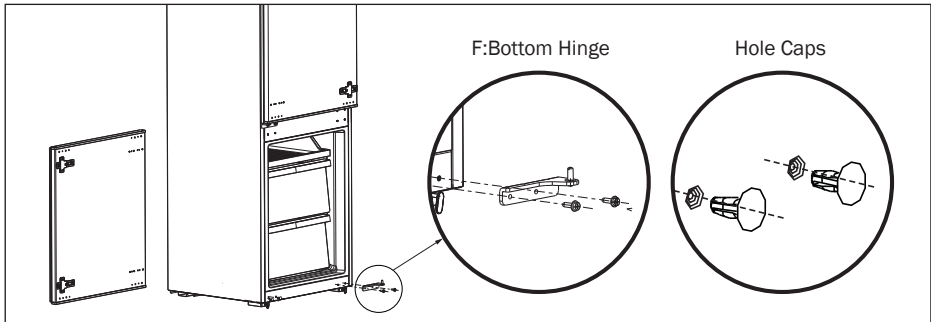


5. Remove the two fixedblocks of refrigerator door and rotate them for 180°, and install them on the other side of refrigerator door.

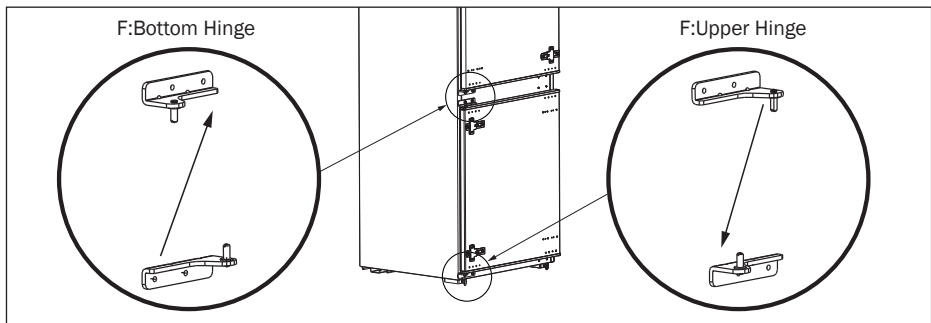


6. Remove the upper hinge of freezer door.

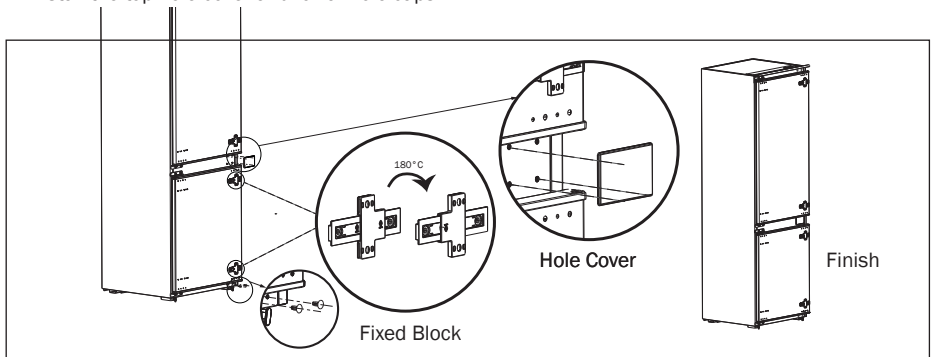
Installation



7. Remove the freezer door, the bottom hinge and the hole caps.



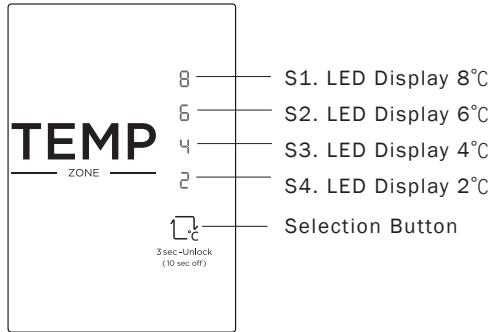
8. Exchange the F: bottom hinge and F: upper hinge, then install them according to below steps, and install the top hole cover and lower hole caps.



9. Remove the two fixed blocks of freezer door and rotate them for 180°, and install them on other side of freezer door. The picture after completion is shown as above. (The picture above is for reference only. The actual configuration will depend on the actual product or statement by the distributor.)

Functions


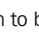

Control Panel



Temperature Setting

Note:

When the fridge is turned on for the first time, the LED lights in the display screen of the temperature selection zone will be on for 3 seconds and the refrigerator will automatically run at the Temperature of 4 °C (S3).

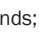
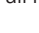
- There are 4 temperature selections available with LED Display 8°C, 6°C, 4°C and 2°C. The current temperature setting is indicated when one of the LED lights in the selection zone (S1-S2-S3-S4) is on.
- To unlock the current temperature setting, press down and hold the selection button () for 3 seconds, all the LED lights will be blinking for 2 seconds.
- Click () to select temperature. The temperature lights of S1-S2-S3-S4 will take turn to be turned on and off and the next one turned on after each click.
- The LED light of the selected temperature (S1 to S4) will be turned on permanently. This indicated that the fridge is run on this selected temperature.
- If no selection is done in 30 seconds, the selection key () is locked again.

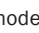
Fault and Non-function Indication

Note: In case of a failure, the corresponding LED light blinks (see below table).

LED Light Blinks	Fault Description
S1	Refrigerator Temperature Sensor
S2	Refrigerator Defrost Sensor
S3	Freezer Defrost Sensor
S4	Ambient Temperature Sensor

Power Off Function

First, press () for 3 seconds to unlock the selection button, then press () for 10 seconds; when all LED display lights are turned off, the refrigerator will enter the “power off” function mode, all functions will be turned off. All the LED display lights will be off during the “power off” mode.

During the power off mode, can short press selection button () to exit the power off mode and the refrigerator will return to its normal function.

Cleaning & Maintenance

1. Overall Cleaning

- Dusts behind the refrigerator and on the ground shall be cleaned in a timely manner to improve the cooling effect and save energy.
- Check the door gasket regularly to make sure there is no debris. Clean the door gasket with a soft cloth dampened with soapy water or diluted detergent.
- The interior of the refrigerator should be cleaned regularly to avoid odor.
- Please turn off the power before cleaning interior, remove all foods, drinks, shelves, drawers, etc.
- Use a soft cloth or sponge to clean the interior of the refrigerator, with two tablespoons of baking soda and a quart of warm water. Then rinse with water and wipe clean. After cleaning, open the door and let it dry naturally before turning on the power.
- Please turn off the power and remove all foods before cleaning the interior.
- For areas that are difficult to clean in the refrigerator, such as narrow gaps or corners, it is recommended to wipe them regularly with a soft rag or a soft brush, to ensure no contaminants or bacterial accumulation in these areas.
- Do not use soap, detergent, scrub powder, spray cleaner for cleaning, as these may cause odors in the interior of the refrigerator or possibly contaminating food.
- Clean the bottle frame, shelves and drawers with a soft cloth dampened with soapy water or diluted detergent. Dry with a soft cloth or dry naturally.
- Wipe the outer surface of the refrigerator with a soft cloth dampened with soapy water, detergent, etc, and then wipe dry.
- Do not use hard brushes, clean steel balls, wire brushes, abrasives (such as toothpastes), organic solvents (such as alcohol, acetone banana oil, etc.) boiling water, acid or alkaline items, which may damage the fridge surface and interior. Boiling water and organic solvents such as benzene may deform or damage plastic parts.
- Do not use hard brushes, steel balls, wire brushes for cleaning, which may damage the surface and interior of the fridge.
- Do not rinse the fridge directly with water or other liquids during cleaning to avoid short circuits or affecting the electrical insulation after immersion.



WARNING!

Please unplug the refrigerator for defrost and cleaning.

2. Defrosting

The refrigerator is made based on the air-cooling principle and thus has automatic defrosting function. Frost formed due to the temperature change or change of season may also be manually removed by disconnecting the appliance from power supply or by wiping with a dry towel.

Cleaning & Maintenance

3. Out of Operation

Power failure: In case of power failure, even if it is in summer, foods inside the appliance can be kept for several hours. During power failure, refrain from opening the doors and stop putting any food into the appliance.

Extended period of non-use: The appliance shall be unplugged and cleaned; leave the doors open to prevent odors forming.

Moving: Before moving the refrigerator, take out all objects from inside; fix with tapes all moving parts, such as glass partitions, vegetable holder, freezing chamber drawers etc.; tighten the leveling feet; close the doors and seal them with tapes. During the move, do not lay down the appliance upside down or horizontally. Do not shake or vibrate it and the inclination during movement shall not be more than 45°.



WARNING!

The appliance shall run continuously once it has been started. Generally, the operation of the appliance shall not be interrupted; otherwise, its service life may be shortened.

Troubleshooting

You may try to solve the following simple problems by yourself. If then can not be solved, please contact the after sales department.

Problem	Possible Reason
The fridge is not working	Check whether the appliance is connected to power or whether the plug is in well contact; Check whether the voltage is too low; Check whether there is a power failure or partial circuits have tripped.
There is a bad odor	Odorous foods shall be tightly wrapped; Check whether there is any rotten food; Clean the inside of the refrigerator.
The compressor working nonstop	Long operation of the refrigerator is normal in summer when the ambient temperature is high; It is not suggestible having too much food in the appliance at the same time; Food shall get cool before being put into the appliance The doors are opened too frequently.
The LED light is off	Check whether the refrigerator is connected to power supply and whether the illuminating light is damaged; Have the light replaced by a specialist.
Door cannot be closed	The door is stuck by food packages; The refrigerator is tilted Loud noise Check whether the floor is level and whether the refrigerator is placed stably; Check whether accessories are placed at proper locations.
Loud noise	check weather the refrigerator is connected to power supply and weather the refrigerator is placed stably; Check weather accessories are placed at proper locations.
There is a gap in the gasket	Remove foreign matters on the door seal; Heat the door seal and then cool it for restoration (or blow it with an electrical drier or use a hot towel for heating).
Water pan overflows	There is too much food in the chamber or food stored contains too much water, resulting in heavy defrosting; The doors are not closed properly, resulting in frosting due to entry of air and increased water due to defrosting.
The surface is hot	Heat dissipation of the built-in condenser via the housing, which is normal; When housing becomes hot due to high ambient temperature and storage of too much food, it is recommended to provide sound ventilation to facilitate heat dissipation.
Surface condensation	Condensation on the exterior surface and door seals of the refrigerator is normal when the ambient humidity is too high. Just wipe the condensate with a clean towel.
Abnormal noise	Buzz: The compressor may produce buzzes during operation, and the buzzes are loud particularly upon start or stop. This is normal. Creak: Refrigerant flowing inside of the appliance may produce creak, which is normal.

Technical Specifications

Model No.	REF-365
Voltage / Frequency	220-240V / 50Hz
Rated Power (Max)	85 W
Dimensions	(H)1770 x (W)540 x (D)550 mm
Total Capacity	266 L
Net Weight	57kg

Specifications are subject to change without prior notice.

If there is any inconsistency or ambiguity between the English version and the Chinese version, the English version shall prevail.

Refer to www.germanpool.com for the most up-to-date version of the Operating Instructions.

目錄

注意事項	23
產品結構	28
安裝說明	29
功能介紹	36
清潔與保養	37
故障檢修	38
規格	38
保用條款	39

注意事項

1.1 警告



警告：小心火災危險

本產品為家用雪櫃，只適用於家庭或類似環境的應用，例如商店、辦公室或工作環境中的廚房區域；亦適用於農舍、酒店、汽車旅館和其他住宅類型環境，或其他非零售性環境。

如果電源線損壞，必須由製造商、其服務代理商或具有類似專業資格的人員更換，以免造成危險。請勿在本雪櫃中存放易燃或易爆物品，例如氣霧罐。

維修前必須拔除電源插頭。



警告!

- 在雪櫃外殼或內置結構中，請保持通風孔暢通無阻。
- 請勿使用機械設備或以其他方式加速除霜過程（除製造商建議的產品外）。
- 請勿損壞製冷裝置。
- 請勿在食物冷藏室內使用其他電器（除製造商建議的產品外）。
- 由於雪櫃內使用易燃的吹氣和製冷劑，請按照當地法規廢棄雪櫃。
- 在放置雪櫃時，請確保電源線沒有被損壞。
- 請勿在雪櫃背面放置多個便攜式插座或便攜式電源。
- 請勿使用延長線或不接地的轉插器或變壓器。
- 請注意雪櫃存在兒童被困的危險。

本雪櫃廢棄不用時，請將雪櫃門卸掉，並拆下門封條及擱物架，將門與擱物架放到合適的位置，以免兒童進入玩耍，發生意外。

安裝雪櫃之前，必須斷開電源連接。

該雪櫃使用的製冷劑和發泡材料均為可燃性材料，廢舊雪櫃應與火源隔絕，不能燃燒處理。請交給具有資格的專業回收公司處理。以避免對環境造成危害或引發其它危險。

注意事項

歐洲標準

如果已接受有關安全使用本產品的監督或指導，並能理解其所涉及的危害，本設備可由8歲或以上的兒童以及肢體、感覺或精神能力較弱，或缺乏經驗和知識的人士使用。兒童不得玩耍本產品，亦不得在沒有監督的情況下進行清潔和維護。

國際電工委員會標準

除非有人進行監督或指導，否則本產品不適合身體、感官或心理能力較弱或缺乏經驗和知識的人士（包括兒童）使用。

兒童在使用時必須受監護，以確保兒童不會電磁爐玩耍。

為避免食物污染，請遵守以下說明

- 長時間打開雪櫃門可能會導致設備隔間的溫度顯著升高。
- 定期清潔可能與食物和排水系統接觸的表面
- 如果水箱未使用48小時，請對其進行清潔；如果5天未抽水，請沖洗連接到供水系統的水系統。
- 將生肉和魚放在合適的容器中，以免與其他食物接觸。#
- 急凍藏室適用於存放冷凍食品，存放或製作雪糕以及製作冰塊。#
- 隔層不適合 一星*兩星**三星***冷凍新鮮食品。#
- 如果製冷設備長期空置，請關閉、除霜、清潔、風乾，並保持雪櫃門打開。

請根據產品類型確認是否適用。

注意事項

1.2 安全警示符號代表意義



禁止符號

該符號表示必須遵守的事項，其行為必須嚴格按照要求操作執行。不遵守指示可能會導致產品損壞或危及使用者人身安全。



警告符號

該符號表示必須遵守的事項，其行為必須嚴格按照要求操作執行。不遵守指示可能會導致產品損壞或危及使用者人身安全。

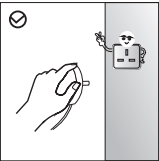


注意符號

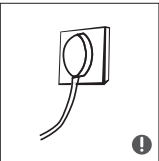
該符號表示需注意的事項，其行為需要特別注意。如果不加以防範可能導致輕度或中度傷害，或造成產品損傷。

本說明書包含許多重要的安全信息，請務必遵守所有安全信息。

1.3 用電類相關事項



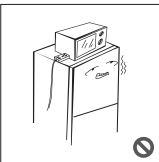
- 拔掉雪櫃的電源插頭時切勿拉扯電源線。一定要緊緊握住插頭，從插座中直接拔出。
- 為保障安全使用，任何時候請不要損壞電源線，當電源線出現破損或插頭出現磨損時，切勿使用。



- 請使用規定標準的專用電源插座，該插座不應與其他電器共用。電源線插頭應保持與插座牢固接觸，否則可能導致火災。
- 請務必保證插座的接地極應有可靠的接地線。



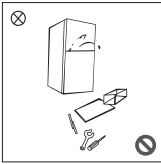
- 當煤氣等易燃氣體洩漏時，應先關閉氣體洩漏的閥門，再打開門窗，此時不要拔出電器的插頭，以免電火花引發火災。



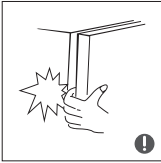
- 為保證安全，建議不要在冰箱頂部放置電源插座、穩壓器、電飯煲、微波爐等電器。除製造商推薦使用的類型外，不得雪櫃的食品冷藏室使用電器。

注意事項

1.4 使用時相關事項



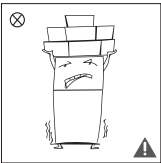
- 嚴禁私自拆卸、改造雪櫃、禁止損壞製冷管路，維修雪櫃必須由專業人員進行。
- 如果電源軟線損壞，為了避免危險，必須由銷售商或其維護部門相關的專業人員更換。



- 門及閘之間以及門與雪櫃箱體之間間隙很小，注意不要把手伸到這些區域內，以防擠傷手指。開關雪櫃門時，用力不要過大，以免物品掉落。
- 雪櫃開始運行之後，不要用濕手去拿急凍室內的食品或容器，特別是金屬容器，以免凍傷手。



- 請勿讓兒童進入或攀爬冰箱，以免將兒童密封在雪櫃內導致窒息或雪櫃倒下傷及兒童。

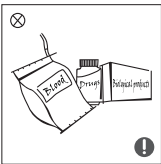


- 請不要將重物放置在雪櫃頂部，關門時易造成物品掉下，造成意外損傷。
- 停電或清潔時，應拔下電源插頭，至少保持間隔五分鐘，才能再次接通電源，以防因連續啟動而損壞壓縮機。

1.5 放置物品相關事項



- 請不要將易燃、易爆、易揮發和強腐蝕性物品放入雪櫃，以免導致雪櫃損壞或火災等事故。
- 請不要在冰箱附近放置或使用可燃性物品，以免發生火災。



- 本產品為家用雪櫃，家用雪櫃只適用於儲藏食品，不能用於其他用途，如儲藏血液、藥品和生物製品等。



- 請不要將瓶裝或密封容器內的流體物品如瓶裝啤酒、飲料等放入急凍室，以免凍結爆裂導致其他損失。

注意事項

1.6 能耗警示

- 當雪櫃溫度長時間低於製冷設備預設的溫度範圍時，製冷設備將不會持續運作。
- 請勿將軟性飲料存放於食品冷藏室中，某些食物如冰凍製品等不應太冷食用。
- 食物的儲存時間不應超過食品製造商建議的最佳食用日期，尤其是存放於急凍室的食物。
- 在雪櫃除霜、維修或清潔過程中，食物可能會因溫度提高而縮短保質期。
- 為防止食物於雪櫃除霜、維修或清潔過程中溫度上升，請先進行預防措施，例如以報紙包裹食物。
- 請將鑰匙放在兒童拿不到的地方，請勿放在雪櫃附近，以防止兒童誤開雪櫃。

1.7 廢棄時相關事項



該雪櫃使用的製冷劑和發泡材料均為可燃性材料，廢舊雪櫃應與火源隔絕，不能燃燒處理。請交給具有資格的專業回收公司處理。以避免對環境造成危害或引發其它危險。



本雪櫃廢棄不用時，請將雪櫃門卸掉，並拆下門封條及擱物架，將門與擱物架放到合適的位置，以免兒童進入玩耍，發生意外。



正確處理該產品

這種標誌表示在整個歐盟中，這種產品不宜與其他家庭垃圾一起處理。為避免因為不受控制的垃圾處理而對環境或人身健康造成潛在傷害，回收垃圾以促進材料資料的可持續重複利用，要想回收用過的設備，請使用回收或收集系統或聯繫產品零售商。他們可以確保該產品回收環保安全。

產品結構



冷藏室

- 適宜存放各種水果、蔬菜、飲料等短期內食用的食品。
- 存放冷卻至室溫後的烹調類食品。
- 食品在放入冷藏室前請先進行密封處理。
- 可拆卸放置架可自行調整位置以活用儲存空間。

急凍室

- 急凍室可長時間保持食品新鮮狀態，包括冷凍食品及冰塊。
- 急凍室適宜存放肉類、魚蝦等短期不食用的食品。
- 大塊肉類盡量分割成小塊存放。
- 請注意在食品有效保質期內食用。

注意：初次通電使用時，不宜存放過多食物，會影響雪櫃製冷效果。存放物品時不要堵住出風口，以免影響製冷效果。

安裝說明

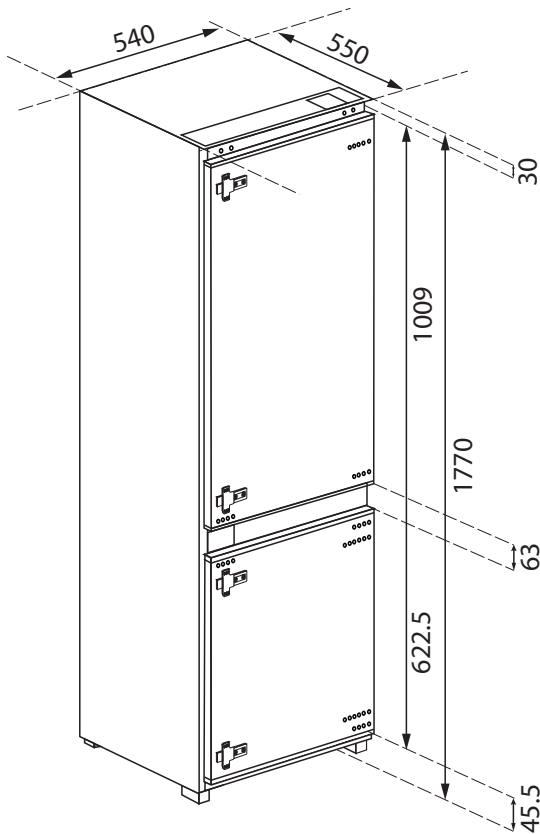
正確放置雪櫃

拆開產品包裝，包括底座墊和雪櫃內部的泡沫墊塊、膠紙等，撕除門體和箱體上的保護膜，並檢查產品是否完好。

如產品出現任何損壞，請於到貨後24小時內聯繫銷售商。

- 遠離熱源，避免陽光直射。勿放置在潮濕或有水的地方，防止生鏽或削弱絕緣效果。
- 不要用水噴淋，沖洗冰箱，也不要將其放置在潮濕、易濺上水的地方，以免影響冰箱產品的電氣絕緣性能。
- 將雪櫃放置在室內通風良好的地方，地面平坦、堅固。
- 檢查電壓是否與銘牌上的電壓一致。

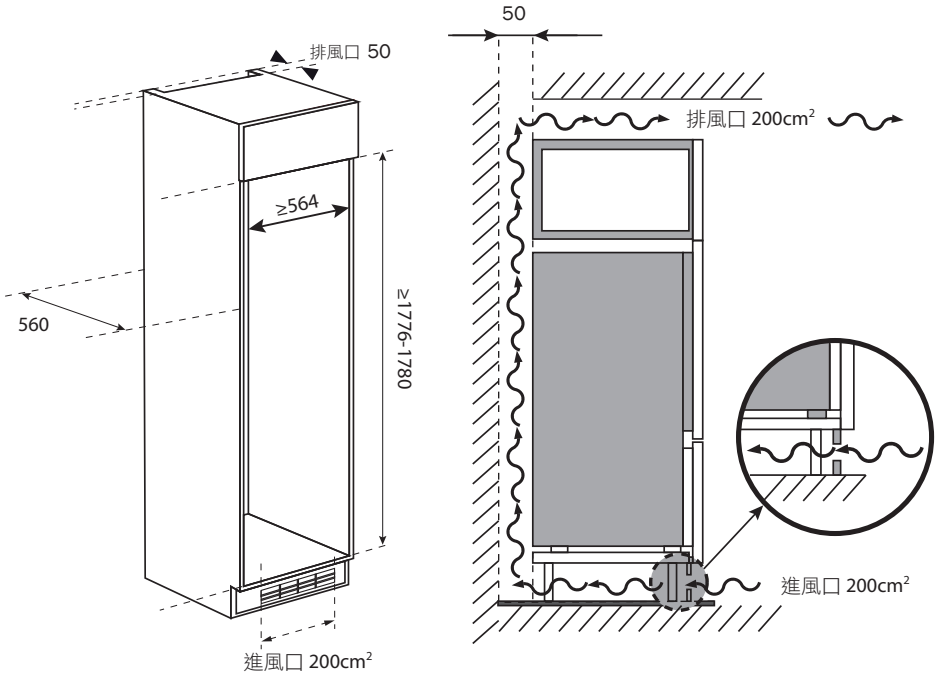
櫥櫃尺寸



警告! 說明書中的數據僅供參考。實際產品可能會有些許不同。在嘗試安裝或調試之前，必須保證雪櫃不接通電源。

安裝說明

產品尺寸及安裝尺寸



單位：毫米



警告!

請自行預留門鉸及門板厚度。

請確保雪櫃通風良好，安裝時必須預留散熱通風口。

安裝說明

嵌入式安裝



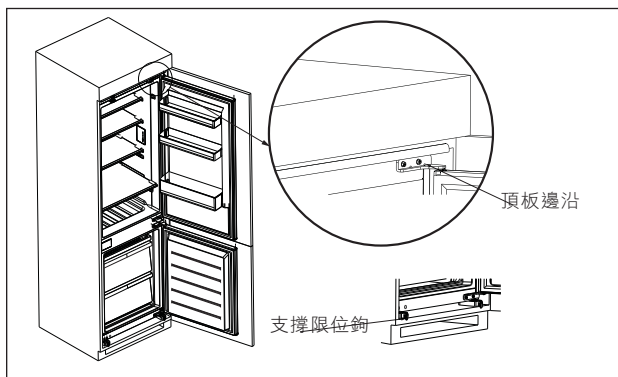
警告!

- 請勿安裝在靠近熱源（如加熱器、炊具等）或直面陽光的地方。
- 放置好雪櫃後，通電前靜置一小時左右。
- 放置食物前，請確保雪櫃正常運作。
- 放置食物前，先讓雪櫃運行2-3小時；夏季環境溫度較高，應先讓雪櫃充分運行4小時或以上。

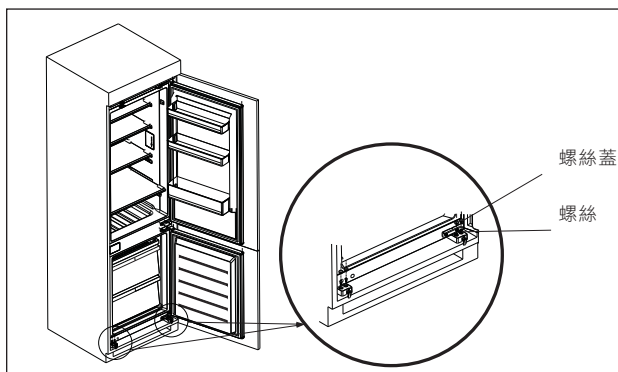
步驟

1. 櫥櫃的尺寸應與圖示的數據相符。

2. 將雪櫃置入櫥櫃內，調整其位置使頂板接觸櫥櫃邊沿，支撐限位鉤住櫃子底部邊沿。

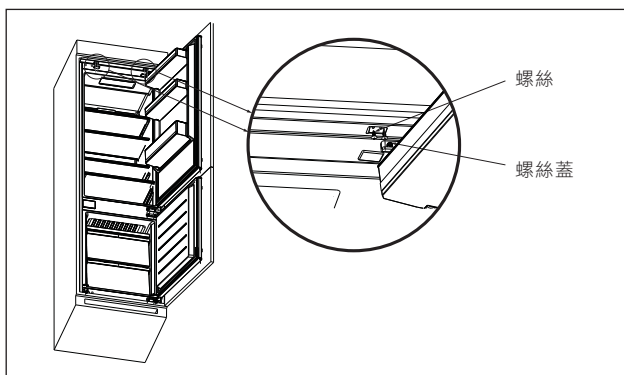


3. 用螺絲將下支撐固定，並蓋上螺絲蓋。

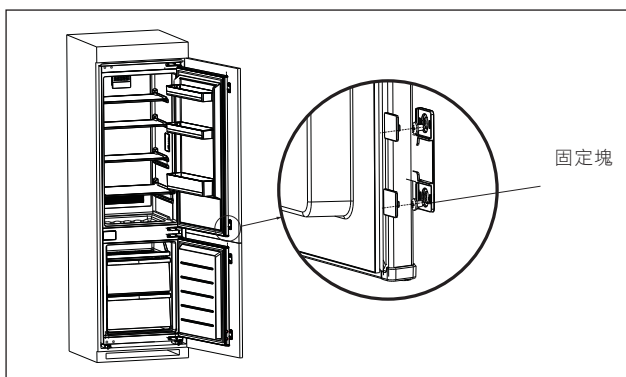


安裝說明

4. 用螺絲將頂板固定於櫃子頂部，並蓋好螺絲蓋。

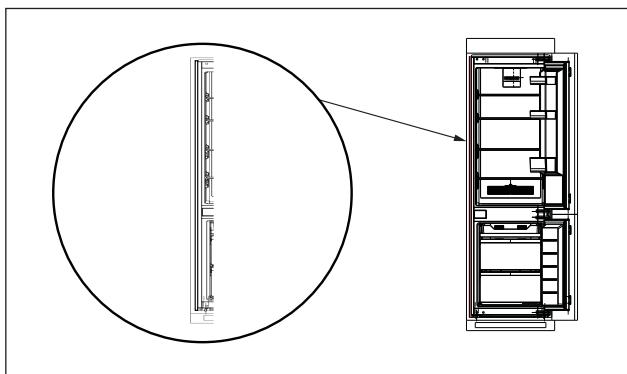


5. 將櫃子下門打開到最大角度，同時將雪櫃下門打開到相應位置，滑動門上的滑固定塊使其內邊沿與雪櫃下門邊沿對齊，然後用螺絲固定於櫃門上，最後蓋好螺絲蓋。



6. 用同樣的方法將雪櫃上門連接到櫃門上。

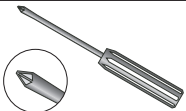



7. 將密封條密封於雪櫃與櫃子之間的縫隙中，安裝完成。



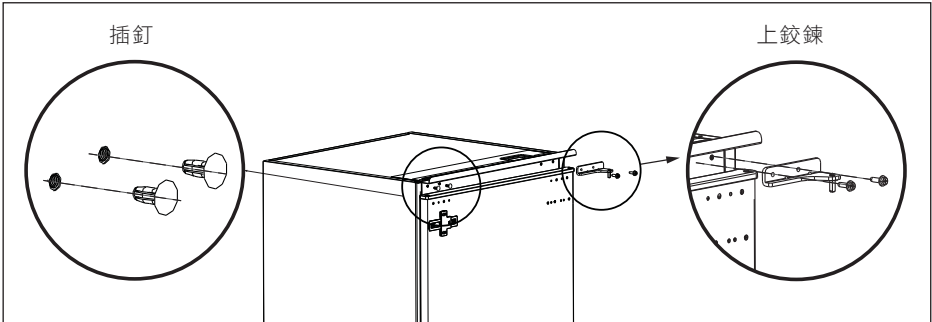
安裝說明

重置開門方向

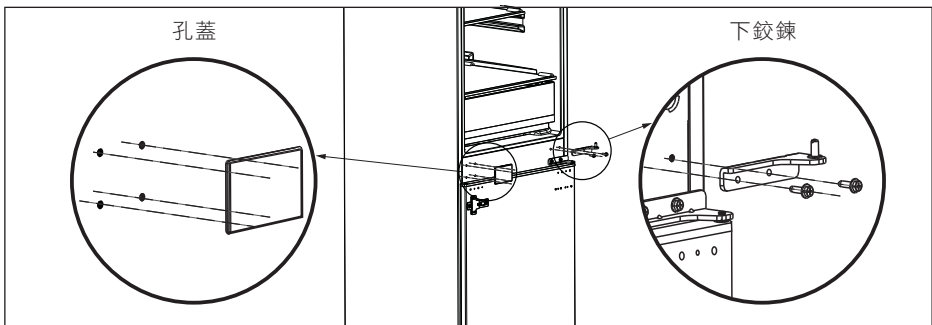
如雪櫃開門方向符合您的要求，請略過此點。否則，把鉸鏈安裝在相反的方向。反轉開門方向時，請平放雪櫃。為防止壓碎冷凝管或損壞壓縮機，請使用墊片。

安裝工具			
	十字型螺絲批		鑊刀及一字型螺絲批
	5/16" 套筒棘輪扳手		美紋膠帶

1. 將雪櫃斷電，並將放置架裏的所有食物都取出。

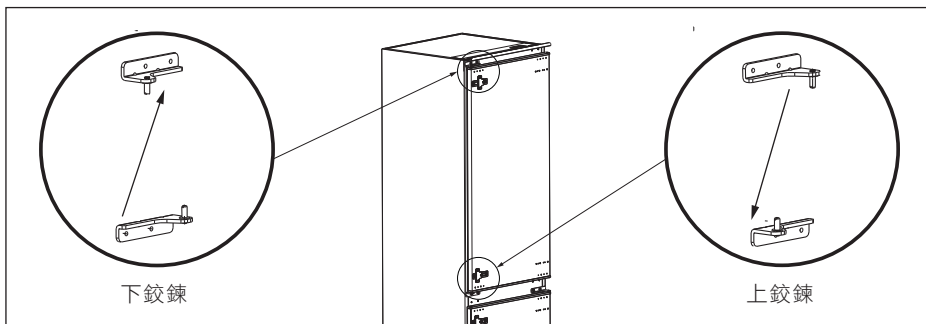


2. 取下冷藏室門上鉸鍊和另一側插釘。

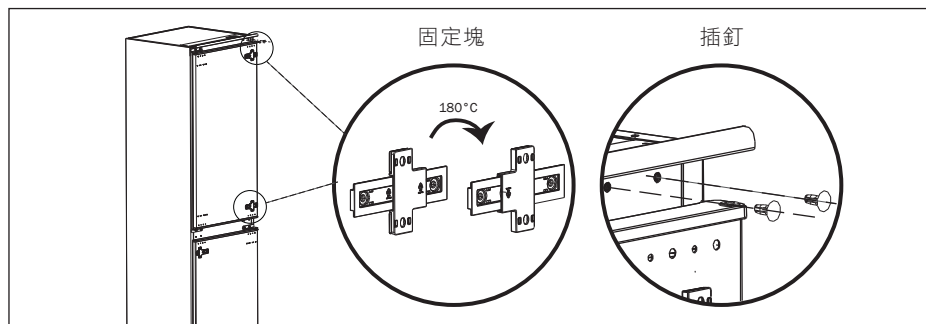


3. 拆下冷藏室門，取下冷藏室門下鉸鍊和另一側的插釘。

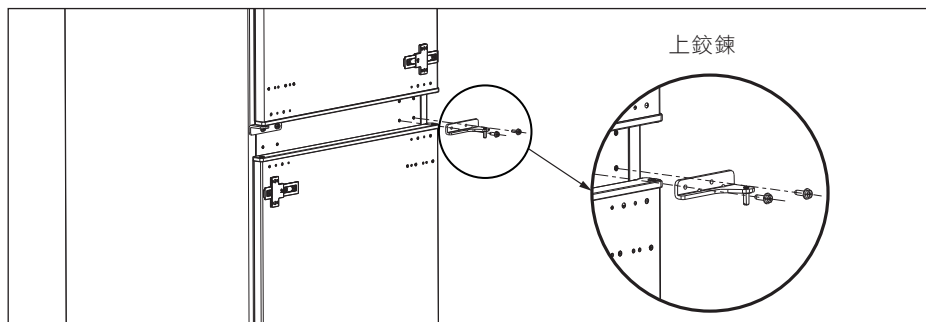
安裝說明



4. 將冷藏室門的上鉸鍊和下鉸鍊互換，完成後安裝孔蓋。

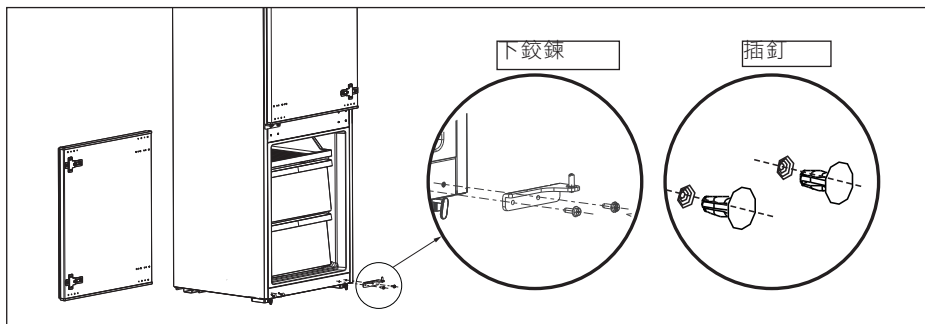


5. 拆下冷藏室門上的固定塊，將其旋轉180° 並安裝在冷藏室門的另一側，完成。

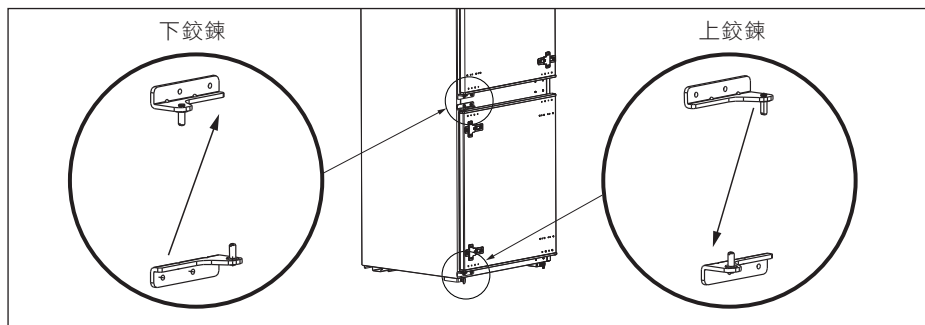


6. 取下急凍室門上鉸鍊。

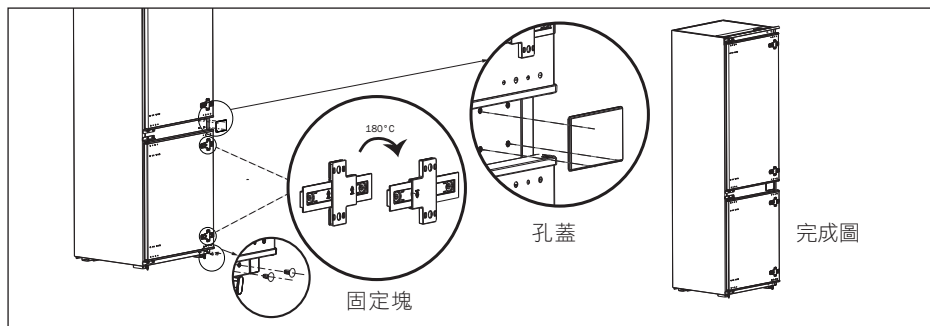
安裝說明



7. 拆下急凍室門，取下次鉸鍊和另一側孔蓋。



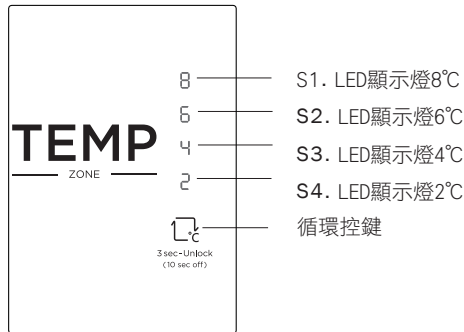
8. 將急凍室門的上鉸鍊和下鉸鍊互換，完成後安裝孔蓋。



9. 拆下急凍室門上的固定塊，將其旋轉180° 並安裝在急凍室門的另一側，完成如上圖所示。（以上圖片僅供參考，實際配置以實物或銷售商聲明為準。）

功能介紹

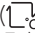
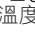
控制面板



溫度設定

注意：

初次使用雪櫃時，LED顯示燈全亮3秒後，默認顯示4°C，系統按4°C運行。

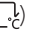
- 可選擇四種不同溫度：8°C、6°C、4°C、2°C，當LED燈（S1-S2-S3-S4）長亮時，代表當前設定溫度。
- 鎖定狀態下，長按（）3秒後解鎖，成功解鎖時，所有LED燈閃爍2秒。
- 短按（）以選擇溫度，更改溫度時，每次按下後亮著的LED燈熄滅，下一LED燈長亮，順序為S1-S2-S3-S4。
- LED燈長亮後，新設定溫度被保存及運行。
- 30秒內未有進行操作，循環控鍵將自動上鎖。

故障顯示

注意：當LED燈閃爍時，代表雪櫃機件故障（如下表），請聯繫銷售商或客戶服務部進行維修。

LED 燈	故障機件
S1	溫度感應器
S2	冷藏室除霜感應器
S3	急凍室除霜感應器
S4	環境溫度感應器

斷電模式

解鎖狀態下，長按（）10秒直至LED顯示燈全滅，鬆開按鍵後雪櫃進入斷電模式。斷電模式下，所有負載全部關閉，LED顯示燈全滅。

在斷電模式下，短按（）退出斷電模式，雪櫃恢復正常運作。

清潔與保養

1. 雪櫃整體清潔

- 雪櫃背後及周圍的灰塵請按時清理，以提高散熱效果，同時利於節能。
- 定期檢查門封條，確保清潔沒有雜物。用蘸有肥皂水或稀釋後的清潔劑的軟布清潔門封條。
- 雪櫃內部應經常清潔以免產生異味。
- 清潔雪櫃內部前請先關掉電源，取出所有食物、飲品、擱架、抽屜等。
- 清潔雪櫃內膽請使用軟布或者海綿，可以用兩湯匙小蘇打和一夸脫溫水溶液先清潔一遍，再用清水清洗並擦拭乾淨，清潔完畢後打開雪櫃門自然晾乾後再接通電源。
- 對於雪櫃內不易清潔區域(如窄小的夾層、縫隙或拐角)，建議用軟布、軟毛刷等和一些必要的輔助工具(如細棍等)進行定期清潔，確保無污染物或細菌聚集。不要使用肥皂，清潔劑，噴霧清潔劑等清潔內膽，因為這些可能會產生異味或污染食物。
- 用蘸有肥皂水或稀釋後的清潔劑的軟布清洗瓶框、擱架和抽屜等，然後用軟布擦乾或自然晾乾。
- 用蘸有肥皂水，清潔劑等的軟布擦拭雪櫃表面，然後用軟布擦乾。
- 清潔時請勿使用硬質毛刷、鋼絲球、鋼絲刷、研磨劑(如牙膏)、有機溶劑(如酒精、丙酮、香蕉水等)、開水、酸鹼性物品，有可能會損傷雪櫃表面及內膽。沸水和苯等有機溶劑可能會使塑料部件變形或損壞。
- 清潔時不要用水或其他液體直接沖洗，以免浸泡後造成短路或影響電氣絕緣性能。



警告！

為雪櫃進行除霜和清潔時，請先拔下電源插頭

2 除霜

此雪櫃為風冷原理電器，有自動除霜功能，由於季節或溫度變化，雪櫃內部會有結霜現象，可通過斷電或乾淨毛巾拭擦進行手動除霜。

3. 停止使用時處理方法

停電時：

停電時即使在夏季，食品仍然可以保存幾個小時；期間應盡量減少開門次數，不宜再放入新鮮食品。

長時間不使用時：

應拔下電源線，再對電器進行清潔，並保持雪櫃門敞開，以防止其產生異味。

移動冰箱時：

移動雪櫃前取出內部所有物品，用膠帶將可拆卸放置架、蔬果儲藏盒、新鮮食品急凍抽屜及急凍抽屜等固定，扭緊可調節腳，關緊雪櫃門並用膠帶固定。搬運時請勿倒置、橫放或震動冰箱，搬運傾角不可大於45°。



警告！

電器一旦啟用後，最好連續使用，一般情況下不建議停用，以免影響其使用壽命。

故障檢修

對以下一些簡單的問題，您可以嘗試自己動手解決。若沒有改變，請致電售後服務部門。

故障	原因及措施
雪櫃不運作	電源是否接通，插頭是否插牢；電壓是否過低；是否停電或者部分電路跳閘。
雪櫃有異味	有氣味的食品應該嚴密包住；檢查是否有食品腐爛；雪櫃內部需要清潔。
壓縮機長時間運行	夏季環境溫度高，雪櫃工作時間長屬於正常現象；一次性放入食品不宜過多；食品冷卻後再放入雪櫃；開啟雪櫃門次數過於頻繁。
雪櫃燈不亮	雪櫃是否通電，照明燈是否損壞；照明燈由專業人員更換。
雪櫃門關不上	食物包裝卡住門使門無法關上；放入的食品太多；雪櫃歪斜。
噪音大	地面是否平坦，雪櫃放置是否平穩；雪櫃附件是否放在正常位置。
門封有閃縫	清除門封上異物；加熱門封使其冷卻後復原(用電吹風或用熱毛巾)。
接水盤溢水	雪櫃內食品存放過多或水分過大，導致化霜水量大；門未關到位等原因導致空氣進入結霜，化霜產生的水增加。
雪櫃外殼發熱	內置製冷器在內部通過外殼散熱，屬於正常現象；環境溫度過高，存放食品過多或壓縮機停機時間段等都或導致外殼發熱，注意通風散熱。
雪櫃外殼凝露	環境濕度過高時，雪櫃外表和門縫表面會有凝露現象，屬於正常現象，用乾淨毛巾拭擦即可。
雪櫃有異音	嗡嘴聲：壓縮機工作時會產生嗡嗡聲，啟動或停機時聲音較大，屬於正常現象 吱吱聲：電器內部製冷劑流動時會產生吱吱聲，屬於正常現象。

規格

型號	REF-365
電壓 / 頻率	220-240V / 50Hz
額定功率 (最大)	85 W
機身尺寸	(H)1770 x (W)540 x (D)550 mm
總容量	266 L
淨重	57 kg

產品規格及設計如有變更，恕不另行通知。
中英文版本如有出入，一概以英文版為準。
本產品使用說明書以 www.germanpool.com 網上版為最新版本。

保用條款

此保用提供德國寶產品之機件在正常使用下壹年保用(自購買日起計算)。

Warranty Terms & Conditions

Under normal operations, the product will be guaranteed for one year, with full warranty provided by German Pool (effective from the date of purchase).

* 貴戶須在購機十天內，以下列其中一種方式向本公司登記資料，保用手續方正式生效：

1) 填妥本公司網頁內之保用登記表格

www.germanpool.com/warranty

2) 填妥保用登記卡，郵寄至本公司。



* This warranty is not valid until customer registration information is received by our Service Centre within 10 days of purchase via one of the following means:

1) Visit our website and register online:

www.germanpool.com/warranty

2) Complete all the fields on the attached Warranty Card and mail it back to our Customer Service Centre.



另請填妥以下表格並與正本發票一併保存，以便維修時核對資料。用戶提供之所有資料必須正確無誤，否則免費保用將會無效。 Please fill out the form below. This information and the original purchase invoice will be required for any repairs. Warranty will be invalid if information provided is found to be inaccurate.

型號 Model No. : **REF-365**

機身號碼 Serial No. : _____ 發票號碼 Invoice No. : _____

購買商號 Purchased From : _____ 購買日期 Purchase Date : _____

- 未能出示購買發票正本者，將不獲免費維修服務。
- 用戶應依照說明書的指示操作。本保用並不包括：
 - 上門安裝、檢驗、維修或更換零件之人工以及一切運輸費用；
 - 因天然與人為意外造成的損壞 (包括運輸及其他)；
 - 電源接合不當、不依說明書而錯誤或疏忽使用本機所引致之損壞。
- 於下列情況下，用戶之保用資格將被取消：
 - 購買發票有任何非認可之刪改；
 - 產品被用作商業或工業用途；
 - 產品經非認可之技術人員改裝或加裝任何配件；
 - 機身編號被擅自塗改、破壞或刪除。
- 總代理有權選擇維修或更換配件或其損壞部份。
- 產品一經被轉讓，其保用即被視作無效。

- Customer who fails to present original purchase invoice will not be eligible for free warranty service.
- Customer should always follow the operating instructions. This warranty does not apply to:
 - labour costs for on-site installation, check-up, repair, replacement of parts and other transportation costs;
 - damages caused by accidents of any kind (including material transfer and others);
 - operating failures resulting from applying incorrect voltage, improper usage, and/or unauthorized installations or repairs.
- This warranty is invalid if:
 - the purchase invoice is modified by an unauthorized party;
 - the product is used for any commercial or industrial purposes;
 - the product is repaired or modified by unauthorized personnel, or unauthorized parts are installed;
 - the serial number is modified, damaged or removed from the product.
- German Pool will, at its discretion, repair or replace any defective part.
- This warranty will be void if there is any transfer of ownership from the original purchaser.

客戶服務及維修中心

香港

九龍大業街59號

三湘九龍灣貨運中心地下B室

電話：+852 2333 6249

傳真：+852 2356 9798

電郵：repairs@germanpool.com

澳門

澳門青洲大馬路(青洲新路)

515號美居廣場第二期1樓A座

電話：+853 2875 2699

傳真：+853 2875 2661

Customer Service & Repair Centre

Hong Kong

Unit B, G/F, Sunshine Kowloon Bay

Cargo Centre, 59 Tai Yip Street.

Kowloon, Hong Kong

Tel : +852 2333 6249

Fax : +852 2356 9798

Email : repairs@germanpool.com

Macau

A, 1 Andar, Mei Kui Kuong Cheong Fase 2,

No.515 Avenida Do Conselheiro Borja,

Macau

Tel : +853 2875 2699

Fax : +853 2875 2661

此保用只適用於香港及澳門

This warranty is valid only in Hong Kong and Macau

German Pool (Hong Kong) Limited

Hong Kong

Room 113, Newport Centre Phase II, 116 Ma Tau
Kok Road, Tokwawan, Kowloon, Hong Kong
Tel: +852 2773 2888
Fax: +852 2765 8215

China

8th, Xinxiang Road, Wusha Industrial Park,
Daliang, Shunde, Foshan, Guangdong
Tel: +86 757 2219 6888
Fax: +86 757 2219 6809

Macau

A, 1 Andar, Mei Kui Kuong Cheong Fase 2,
No.515 Avenida Do Conselheiro Borja, Macau
Tel: +853 2875 2699
Fax: +853 2875 2661



香港 (S MARK)
安全認證



中國總經銷電行業
十大影響力品牌



CEO非凡品牌大賞



香港優質商標



香港工商業獎



2007
最佳品質
創建品牌企業獎



香港中小企業
最佳拍檔大獎



香港消費者推祟品牌



香港《O標》
優質服務證書



香港名牌十年成就獎
HONG KONG TOP BRAND TEN YEAR
ACHIEVEMENT AWARD

© All rights reserved. Copying, reproducing or using the contents of this manual is not allowed without prior authorization from German Pool, violators will be prosecuted.