

Cordless Upholstery Fabric Cleaner | SCC-WL60



Online Warranty Registration



Please read these instructions and warranty information carefully before use and keep them handy for future reference.

USER MANUAL

Table of Contents

Warnings & Safety Precautions	03
Product Structure	04
Operation Instructions	05
Cleaning & Maintenance	08
Troubleshooting	09
Technical Specification	10
Warranty Terms & Conditions	19

Warnings & Safety Precautions

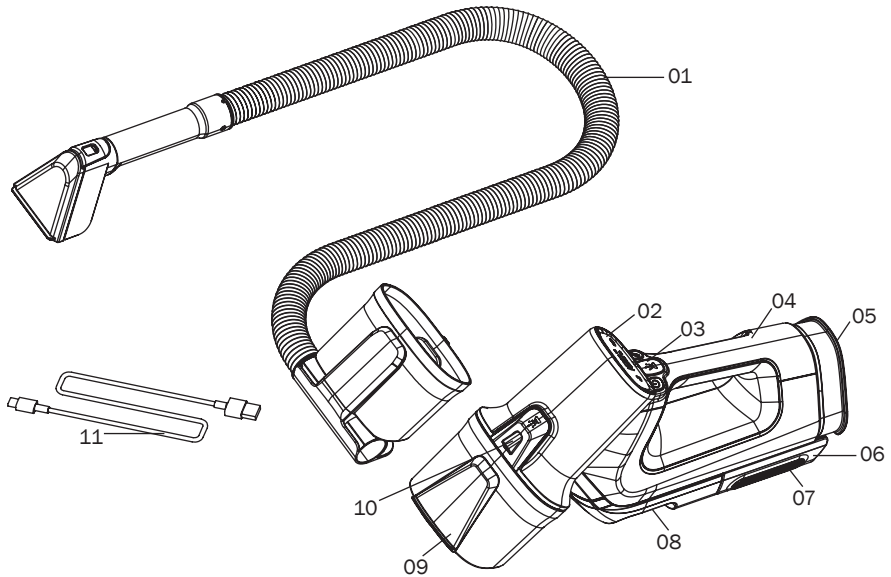
WARNING!

Read all instructions carefully before using this product.

- This product is for domestic indoor use only. If this product is used for any commercial, industrial, rental or other purposes, product warranty will be VOIDED.
 - This product is not intended for use by children or persons with reduced physical, sensory or mental capabilities, or lack of experience and knowledge, unless they have been given supervision or instruction concerning use of this product by an adult responsible for their safety.
 - Mind your children and DO NOT let children play with this product.
 - Cleaning and user maintenance shall not be made by children without supervision.
 - Check the voltage indicated on the rating label before using this product.
 - If the supply cord is damaged, it must be replaced by the manufacturer, its service agent or similarly qualified persons in order to avoid hazards.
 - Unplug this product from the power source before cleaning and maintenance. • Contact German Pool authorized service technician for repair or maintenance of this product.
-
1. Only authorized technicians can disassemble this product. It is strictly prohibited to disassemble this product by themselves.
 2. This product can only use the original type-C charging line. If other charging lines are used, the product may be damaged.
 3. DO NOT roll the curtain, all kinds of winding materials or user's body parts into the product roller brush.
 4. DO NOT put this product near cigarette butts, lighters or other open flames.
 5. If the product needs cleaning, please clean the product after charging.
 6. DO NOT put heavy objects and sharp objects on the machine.
 7. This product is an indoor household product. DO NOT use it outdoors.
 8. It is forbidden to press articles (people) above 10 kg. DO NOT place anything weighing 10 kg or above on top of this product.
 9. Before using this product, please remove all vulnerable items on the ground (such as glasses, lamps) and items that may entangle the floor brush and air suction channel (such as wires, paper, curtains).
 10. DO NOT put this product in a place that is easy to fall (such as tables and chairs).
 11. During transportation or when the product will not be used for a long time, please pack it before storing.
 12. Please carefully check whether the charging cable is connected before charging.
 13. When the waste water in the tank with waste water is full, please empty it before using this product.
 14. The ambient temperature of this product is 5 °C to 40 °C.
 15. DO NOT use this product in high temperature environment.
 16. Please remove the battery from the product before scrapping this product.
 17. It is strictly prohibited to modify the whole machine, accessories and replace the power supply or battery.
 18. DO NOT place this product on its side or upside down.
 19. Recycling of batteries: Waste batteries are an important resource. When discarding products, DO NOT discard batteries at will. Please properly dispose of them in accordance with government regulations and assist in recycling them to corresponding waste battery recycling facilities.

Product Structure

Main Body



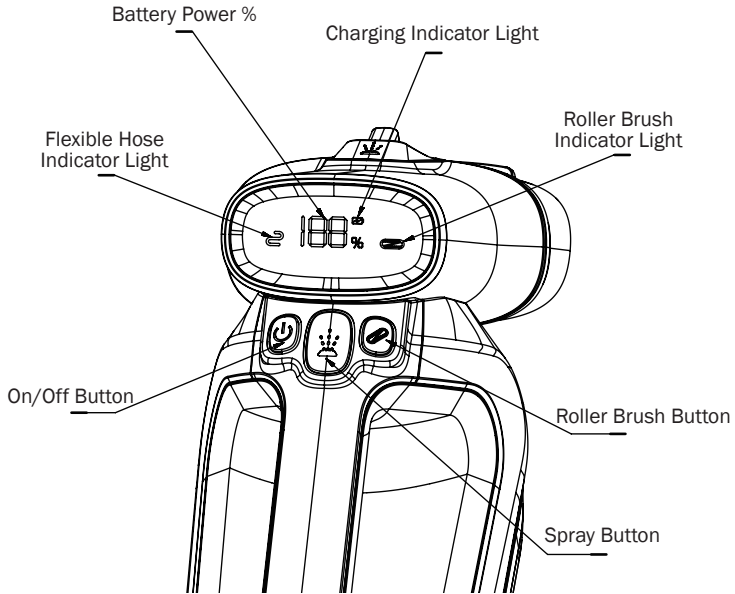
1. Flexible Hose & Handheld Nozzle
2. LED Display
3. Control Buttons
4. Main Unit
5. Clean Water Tank
6. Charging Port
7. Air Outlet Grille
8. Dirty Water Tank
9. Suction Inlet
10. Sprinkler Head
11. USB-C Cable

Note:

It is recommended to use the Flexible Hose & Handheld Nozzle when cleaning vertical surfaces (eg. sides of sofa).

Operation Instruction



Control Panel



How To Charge

Note:

- The battery is not charged when this product left the factory. Please make sure the battery is fully charged before use.
- This product must be turned off during charging.

1. Place this product on a horizontal and sturdy surface. Connect the type-C cable to the charging port on the main body, and the other end into an USB charger (it is recommended to use 5V) to charge this product.
2. LED display will show current battery %, and the Charging Indicator Light  will blink. The charging time is approx. 4.5 hours, and the working time is approx. 30 minutes.
3. When the product is fully charged, Battery Power % will show 100%, and Charging Indicator Light  will light up constant.

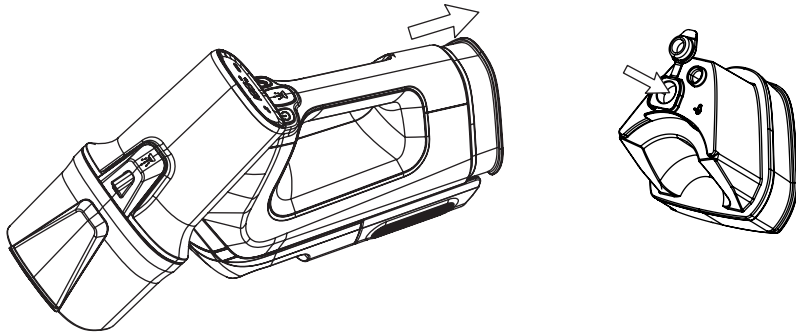
Note:

- DO NOT charge, use or keep this product in an environment below 5 °C or above 40 °C.
- When product is in use, LED display will show the Battery Power %. When Battery Power % falls below 10%, charge the battery immediately.
- The battery is a consumable. After prolonged use, product will take longer to charge and battery will not last as long. This is a normal phenomenon.






Operation Instruction

Filling The Clean Water Tank

1. Clean Water Tank is located at the back end of the main unit. Please fill up prior to first use, or whenever the tank is empty.
2. To take out the tank: Hold the tank firmly and pull out.
3. Open the tank lid and fill tank with water.
4. Reattach the water tank properly back onto the main unit.






Note:


- To avoid blocking the air duct, large pieces of garbage (eg. large pieces of paper, wrapping film, etc.) in the area must be removed before using this product.
 - This product is not a vacuum cleaner; it can only be used to suck up liquid, and thus must be used together with the sprinkler. DO NOT dry vacuum.
 - When this product is in operation, DO NOT touch the bristles on the roller brush, and DO NOT block the air outlet grilles on the sides of the main unit.
-
- Press On/Off Button  to turn on the product. LED display shows Battery Power %, and product starts to operate.
 - Long-press Spray Button  and the sprinkler will spray water continuously; when user lets go of the button, spraying will stop.
 - Press Roller Brush Button  and the roller brush will start spinning, Roller Brush Indicator Light  on the LED display will light up constant; press Roller Brush Button  again, roller brush will stop spinning and the corresponding indicator light will turn off.
 - When product is in use, the Battery Power % will drop continuously. Please recharge when it drops too low.

Operation Instruction


How To Use

1. When product is turned on, long-press Spray Button  to wet the surface of the cleaning area.
2. Press the nozzle flat against the surface to be cleaned, and push the product forwards to suck up the fifth. To clean a large surface area, long-press Spray Button  while simultaneously pushing the product forwards.
3. For stubborn stains, press Roller Brush Button  to turn on the roller brush, and run the product back and forth over the stain to lift out the fifth.

Using The Flexible Hose & Handheld Nozzle

1. Press the release button located on the bottom of the Suction Inlet Cover and pull off the cover.
2. Attach the Flexible Hose & Handheld Nozzle onto the Suction Inlet on main unit. The Flexible Hose Indicator Light  lights up constant.

Note:

The roller brush will not spin when Flexible Hose & Handheld Nozzle is attached, and pressing Roller Brush Button  will not yield any response.

Cleaning and Maintenance

⚠ WARNING!

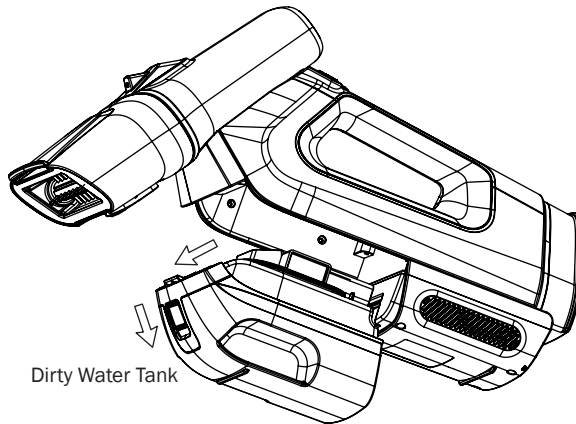
- Turn off this product and let it cool down completely before cleaning and maintenance.
- DO NOT immerse this product or its power cord in water or any liquid.

Cleaning The Dirty Water Tank

Note:

Make sure to clean out the Dirty Water Tank in time. DO NOT allow dirty water to accumulate beyond the maximum water mark on the Dirty Water Tank.

1. To maintain product performance, please clean the Dirty Water Tank regularly. It is recommended to clean the tank every time after use.
2. To take out the tank: The Dirty Water Tank is located on the bottom of the main unit, press and hold the Dirty Water Tank Release Buckle, and pull the tank downwards to detach it.
3. Clean out the dirty water and debris, and rinse the tank clean.
4. Reattach the tank back onto the main unit.



Cleaning The Roller Brush

1. To ensure the roller brush can operate smoothly, remove debris immediately when the brush bristles are dirty or entangled.
2. Take off the Suction Inlet Cover, push the Roller Brush Buckle inwards and pull out the roller brush, then rinse the bristles clean (only the roller brush bristles can be rinsed with water; DO NOT wet the other parts).
3. Reattach the roller brush correctly back onto the main unit.

Note:

- Remove any blockage or entanglement promptly.
- Only the roller brush bristles can be rinsed with water; DO NOT wet the other parts.
- DO NOT apply lubricant to the two ends of the roller brush.
- DO NOT use this product if the roller brush bristles are damaged.

Troubleshooting

Problem	Possible Cause	Solution
Roller brush does not spin	Brush is entangled by large debris (eg. wrapping film, etc.) or hair	Clean off debris or hair
No water is sprayed out	Sprinkler head is blocked by small particles	Unblock sprinkler head with a small pin
	Clean water tank is empty	Refill clean water tank
	The water pipe is blocked	Contact German Pool Customer Service & Repair Centre
Motor emits abnormal noise	Suction inlet is blocked or product has sucked in large debris	Remove blockage
	Dirty water tank is not installed properly	Inspect and install dirty water tank properly
Product usage time has shortened	Battery has aged	Contact German Pool Customer Service & Repair Centre
	Ambient temperature too high or too low	Use this product in a suitable environment (5 °C-40 °C)
	Battery is not fully charged	Fully charge battery before use
Suction power has weakened	Too much water in dirty water tank	Clean out dirty water tank
	Suction inlet is blocked	Remove blockage
Product will not charge	Ambient temperature is too high or too low	Charge this product in a suitable environment (5 °C-40 °C)
Battery leakage	Battery has not been used in a long time	Contact German Pool Customer Service & Repair Centre

WARNING!

If problem persists, please contact German Pool Customer Service & Repair Centre for inspection and repair. DO NOT disassemble product by yourself.

Technical Specification

Model	SCC-WL60
Voltage	11.1 V
Electric Current	2 A
Power	60 W
Suction Pressure	8 kPa
Battery Capacity	2,500 mAh x 3
Clean Water Tank Capacity	350 ml
Dirty Water Tank Capacity	260 ml
Product Dimensions	(H) 214 (W) 417 (D)130 mm
Net Weight	2.1 kg

- Specification is subject to change without prior notice.
- If there is any inconsistency or ambiguity between the English version and the Chinese version, the Chinese version shall prevail.
- Refer to www.germanpool.com for the most update version of the user manual.

目錄

警告及注意事項 12

產品結構 13

使用說明 14

清潔與保養 16

故障檢修 17

技術規格 18

保用條款 19

警告及注意事項

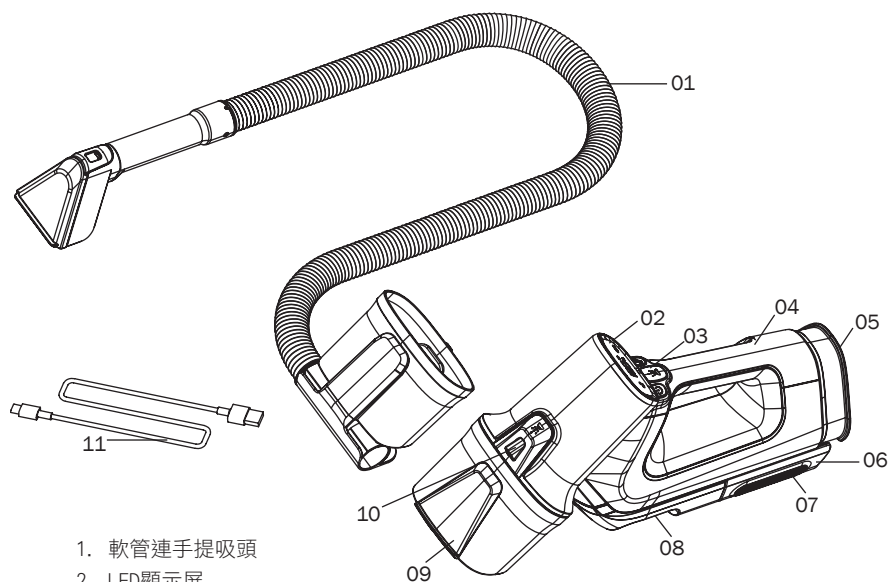
⚠ 警告！

使用本產品前，請仔細閱讀所有說明。

- 本產品只限家居室內日常使用，如產品作任何商業、工業、出租或其他用途，保用證即告失效。
 - 請勿讓兒童或身體有殘障、精神不健全及對本產品缺乏經驗或知識的人士單獨使用本產品；如需使用，必須要在負責任的成年人監管下方可使用。
 - 應照顧好兒童，確保他們不會玩耍本產品。
 - 無成年人監管下，勿讓兒童清潔及維護本產品。
 - 使用前，請先檢查所有電壓是否與本產品標籤上的電壓相符。
 - 如果電源線損壞，為免發生意外，電源線必須由廠方、廠方指定的維修中心或同等合格的技術人員進行更換。
 - 清潔或檢查本產品前，必須先關機及拔掉插頭。
 - 請聯繫德國寶授權的技術人員進行維修或保養本產品。
1. 只有授權的技術人員方可拆解本產品，嚴禁自行拆解本產品。
 2. 本產品只能使用原配備的TYPE-C充電線，若使用其它充電線將可能導致產品受損。
 3. 嚴禁使布簾、各類纏繞物質或者使用者身體部位捲進產品滾刷。
 4. 嚴禁將本產品靠近煙頭、打火機或者其他明火。
 5. 如果產品需要清潔，必須在充電結束後再對本產品進行清潔。
 6. 嚴禁將重物及尖銳物品擱置於本產品之上。
 7. 本產品為室內家用產品，嚴禁在戶外使用。
 8. 嚴禁將10公斤或以上的物品（人）重壓本產品。
 9. 使用本產品前，必須移除地面所有易損物品（如玻璃杯、燈具）以及有可能纏住地刷和吸風通道的物品（如電線、紙片、窗簾）。
 10. 嚴禁將本產品置於容易掉落的地方（如桌椅上）。
 11. 運輸過程中或長時間不使用本產品時，必須包裝好再存放。
 12. 充電前必須仔細檢查充電線是否已連接好。
 13. 如污水箱裡面污水已滿時，必須先清空再使用本產品。
 14. 本產品使用環境溫度為5°C至40°C。
 15. 嚴禁在高溫環境下使用本產品。
 16. 本產品報廢前必須將電池從本產品上拆下。
 17. 嚴禁改造本產品、附件、更換電源或電池。
 18. 嚴禁將機身傾側或倒轉擺放。
 19. 電池的回收利用：廢棄電池是重要的資源，廢棄本產品時，嚴禁隨意丟棄電池，必須依照政府法規對其進行妥善處理，協助回收至相應的廢電池回收設施中。

產品結構

主機

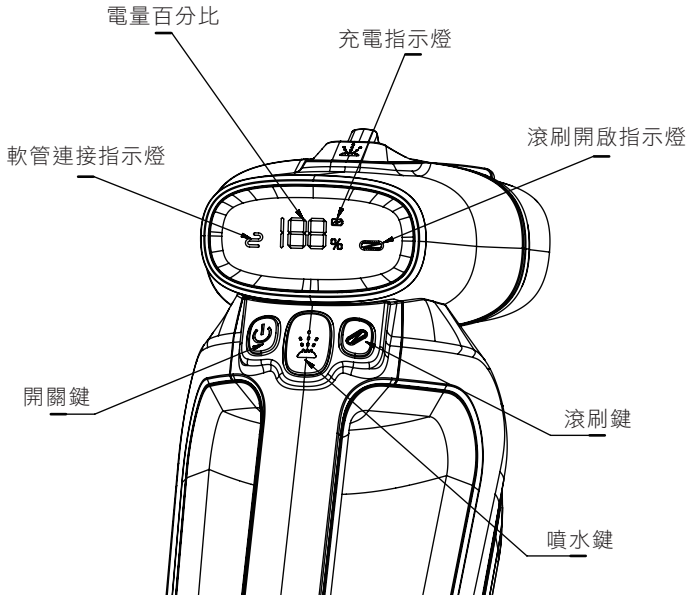


1. 軟管連手提吸頭
2. LED顯示屏
3. 控制按鍵
4. 主機
5. 清水箱
6. 充電接口
7. 出風口
8. 污水箱
9. 吸水口
10. 噴水頭
11. 充電線

注意：

清潔豎立及垂直的地方時（例如梳化側面），建議使用軟管連手提吸頭。



使用說明



充電說明

注意：

- 本產品出廠時電池尚未充電，首次使用前必須將電池完全充滿電。
- 在充電過程中，必須將本產品關機。

1. 將本產品放置在水平的枱面上，將充電線連接主機上的充電接口，另一端連接USB充電頭（建議為5V）開始充電。
2. LED顯示屏顯示當前電量百分比，充電指示燈  閃爍；充電時間約為4.5小時，使用時間約為30分鐘。
3. 充滿電後，電量百分比顯示100%，充電指示燈  常亮。

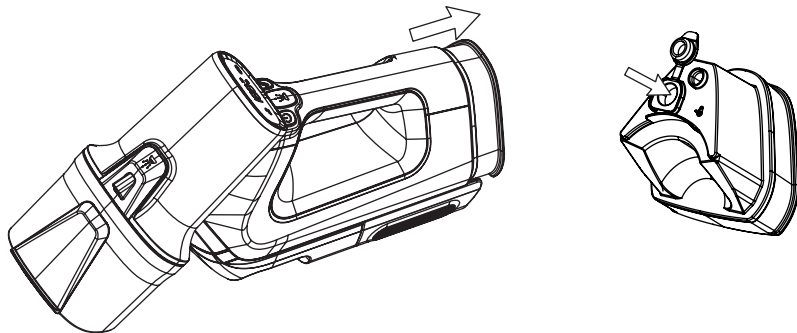
注意：

- 嚴禁在5°C以下或40°C以上的環境充電、使用或保管本產品。
- 使用過程中LED顯示屏會顯示電量百分比，當電量百分比低於10%或以下時，必須即時為本產品充電。
- 電池為消耗品，隨著使用時間愈長，出現續航力變短、充電時間變長，屬於正常情況。



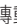


使用說明

清水箱裝水




1. 清水箱在主機尾部，首次使用或當清水箱裡的水用盡後，請及時加水。
2. 清水箱拆卸方法：握住清水箱用力向後拉出。
3. 打開清水箱蓋，往裡面注水即可。
4. 將清水箱正確裝回主機上。




注意：

- 為避免堵塞風道，使用本產品前必須先清理區域內的大塊垃圾，例如大紙片、包裝膜等。
 - 本產品並非吸塵機，使用時必須先噴水後再吸水，嚴禁直接乾吸垃圾。
 - 產品運行過程中，嚴禁觸摸滾刷上的刷毛或接觸主機尾部兩側的出風口。
-
- 按「開關鍵  」開機，LED顯示屏顯示電量百分比，產品開始運作。
 - 長按「噴水鍵  」，噴水頭持續向外噴水；鬆開按鍵停止噴水。
 - 按「滾刷鍵  」滾刷開始轉動，LED顯示屏上的滾刷指示燈  常亮；再按「滾刷鍵  」滾刷停止轉動，相應指示燈熄滅。
 - 本產品在使用期間，電量百分比會持續減少，請注意及時充電。

使用步驟

1. 開機後，長按「噴水鍵  」噴濕需要清潔的物品表面。
2. 將機身往前推，讓吸水口緊貼物品表面吸走污水。如需清潔的面積較大，可一邊長按「噴水鍵  」一邊往前推動機身吸水。
3. 對於頑固污漬，按「滾刷鍵  」轉動滾刷，來回推拉機身以刷走污漬。

使用軟管及手持吸頭

1. 按住吸水口外殼底部的釋放鍵，拆出吸水口外殼。
2. 將軟管連手提吸頭裝在主機吸水口上即成，軟管連接指示燈  常亮。

注意：

裝上軟管連手提吸頭後，滾刷將不可使用。如按「滾刷鍵  」，產品將無反應。

清潔與保養

⚠ 警告！

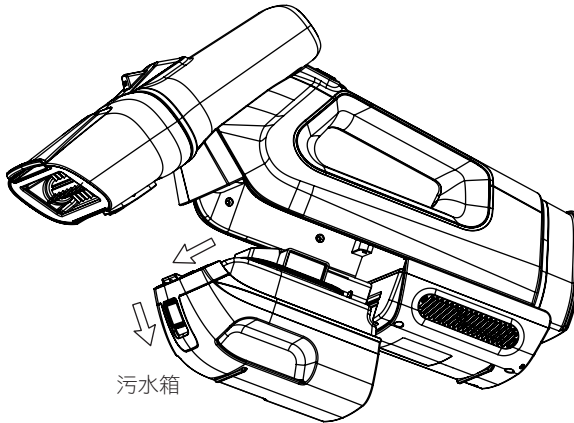
- 清潔與保養前，必須先將產品關機並讓產品完全冷卻。
- 嚴禁將產品或其電源線浸入水或其他液體中。

清理污水箱

注意：

請及時清理污水，嚴禁讓污水超越污水箱上的最大水位線。

1. 為保持產品性能，請定期清理污水箱。建議每次使用本產品後進行清潔。
2. 污水箱拆卸方法：污水箱在主機底部，按住污水箱卡扣向下拆出污水箱。
3. 倒出污水箱內部的污水和垃圾，清理乾淨。
4. 將污水箱正確裝回主機上。



清洗滾刷

1. 為避免影響滾刷運轉，當刷毛及滾輪被纏繞或髒污時，必須及時進行清潔。
2. 拆下吸水口外殼，將滾刷卡扣向下拉拆出滾刷，用水沖洗乾淨刷毛（除刷毛外其餘部份不能用水沖洗）。
3. 將滾刷正確裝回主機上。

注意：

- 當灰塵、毛髮等垃圾堵塞令滾刷轉動不順暢時，必須立即去除垃圾。
- 除滾刷刷毛外，其餘部件皆不能水洗。
- 嚴禁為滾刷兩端上油。
- 如滾刷刷毛磨損，嚴禁繼續使用。

故障檢修

故障現象	可能原因	處理方法
滾刷不轉動	捲入大型垃圾 (如包裝膜等) ; 刷毛被毛髮纏住	清理垃圾及纏繞在刷毛上的毛髮
產品不噴水	噴水頭被小顆粒堵塞	用細針清理噴水頭小堵塞物
	清水箱缺水	為清水箱注水
	內部水管被堵塞	聯絡德國寶客戶服務及維修中心
摩打發出異常噪音	吸水口堵住或吸入大塊垃圾	清理堵塞物
	污水箱未組裝好	仔細檢查，將污水箱組裝好
使用時間變短	電池老化	聯絡德國寶客戶服務及維修中心
	使用環境溫度過高或者過低	在適當的環境內使用 (5°C - 40°C)
	電池沒有完全充滿電	將電池充滿電後再使用
吸力減弱	污水箱中污水過多	及時清理污水箱
	吸水口堵住	清理堵塞物
無法充電	充電時周圍環境溫度過高或過低	將產品置於合適的溫度環境充電 (5°C - 40°C)
電池漏液	電池長期沒有使用	聯絡德國寶客戶服務及維修中心

⚠ 警告！

如問題無法解決，請聯絡聯絡德國寶客戶服務及維修中心安排檢查維修，嚴禁私自拆卸本產品。

技術規格

型號	SCC-WL60
電壓	11.1 V
電流	2 A
功率	60 W
吸入壓力	8 kPa
電池容量	2,500 mAh x 3
清水箱容量	350 ml
污水箱容量	260 ml
產品尺寸	(H) 214 (W) 417 (D)130 mm
淨重	2.1 kg

- 產品規格及設計如有變更，恕不另行通知。
- 中英文版本如有出入，一概以中文版為準。
- 本產品使用說明書以www.germanpool.com網上版為最新版本。

保用條款

此保用提供德國寶產品之機件在正常使用下壹年保用(自購買日起計算)。

Warranty Terms & Conditions

Under normal operations, the product will guarantee a 1-year warranty provided by German Pool (effective from the date of purchase).

* 貴戶須在購機十天內，以下列其中一種方式向本公司登記資料，保用手續方正式生效：

- 1) 填妥德國寶VIP手機應用程式保用登記表(掃描右方二維碼)
- 2) 填妥本公司網頁保用登記表
www.germanpool.com/warranty
- 3) 填妥保用卡郵寄至本公司。



* This warranty is not valid until customer registration information is received by our Service Centre within 10 days of purchase via one of the following means:

- 1) Visit our VIP App and register online:
(Scan the QR Code on the left)
- 2) Visit our website and register online:
www.germanpool.com/warranty
- 3) Complete the attached Warranty Card and mail it back to our Customer Service Centre.



另請填妥以下表格並與正本發票一併保存，以便維修時核對資料。用戶提供之所有資料必須正確無誤，否則免費保用將會無效。 Please fill out the form below. This information and the original purchase invoice will be required for any repairs. Warranty will be invalidated if information provided is found to be inaccurate.

型號 Model No. : SCC-WL60

機身號碼 Serial No. : _____ 發票號碼 Invoice No. : _____

購買商號 Purchased From : _____ 購買日期 Purchase Date : _____

1. 未能出示購買發票正本者，將不獲免費維修服務。
2. 用戶應依照說明書的指示操作。本保用並不包括：
 - 上門安裝、檢驗、維修或更換零件之人工以及一切運輸費用；
 - 因天然與人為意外造成的損壞(包括運輸及其他)；
 - 電源接合不當、不依說明書而錯誤或疏忽使用本機所引致之損壞。
3. 於下列情況下，用戶之保用資格將被取消：
 - 購買發票有任何非認可之刪改；
 - 產品被用作商業或工業用途；
 - 產品經非認可之技術人員改裝或加裝任何配件；
 - 機身編號被擅自塗改、破壞或刪除。
4. 總代理有權選擇維修或更換配件或其損壞部份。
5. 產品一經被轉讓，其保用即被視作無效。

1. Customer who fails to present original purchase invoice will not be eligible for free warranty service.
2. Customer should always follow the operating instructions. This warranty does not apply to:
 - labour costs for on-site installation, check-up, repair, replacement of parts and other transportation costs;
 - damages caused by accidents of any kind (including material transfer and others);
 - operating failures resulting from applying incorrect voltage, improper usage, and unauthorized installations or repairs.
3. This warranty is invalid if:
 - the purchase invoice is modified by an unauthorized party;
 - the product is used for any commercial or industrial purposes;
 - the product is repaired or modified by unauthorized personnel, or unauthorized parts are installed;
 - the serial number is modified, damaged or removed from the product.
4. German Pool will, at its discretion, repair or replace any defective part.
5. This warranty will be void if there is any transfer of ownership from the original purchaser.

客戶服務及維修中心

香港

九龍大業街59號

三湘九龍灣貨運中心地下B室

電話：+852 2333 6249

傳真：+852 2356 9798

電郵：repairs@germanpool.com

澳門

澳門青洲大馬路(青洲新路)

515號美居廣場第二期1樓A座

電話：+852 2875 2699

傳真：+852 2875 2661

Customer Service & Repair Centre

Hong Kong

Unit B, G/F, Sunshine Kowloon Bay

Cargo Centre, 59 Tai Yip Street, Kowloon

Kowloon, Hong Kong

Tel : +852 2333 6249

Fax : +852 2356 9798

Email : repairs@germanpool.com

Macau

A, 1 Andar, Mei Kui Kuong Cheong Fase 2,

No.515 Avenida Do Conselheiro Borja

Macau

Tel : +853 2875 2699

Fax : +853 2875 2661

此保用只適用於香港及澳門

This warranty is valid only in Hong Kong and Macau

German Pool (Hong Kong) Limited

Hong Kong

Room 113, Newport Centre Phase II, 116 Ma Tau
Kok Road, Tokwawan, Kowloon, Hong Kong.
Tel: +852 2773 2888
Fax: +852 2765 8215

China

8th, Xinxiang Road, Wusha Industrial Park,
Daliang, Shunde, Foshan, Guangdong
Tel: +86 757 2219 6888
Fax: +86 757 2219 6809

Macau

A, 1 Andar, Mei Kui Kuong Cheong Fase 2,
No.515 Avenida Do Conselheiro Borja, Macau
Tel: +853 2875 2699
Fax: +853 2875 2661



香港《S MARK》
安全認證



中國標榜/家電行業
十大影響力品牌



CEO非凡品牌大賞



香港優質商標



香港工商業獎



2007
最具潛質
創星品牌企業獎



香港中小企業
最佳拍檔大獎



香港消費者推祟品牌



香港《心嚮》
優質服務證書



香港名牌十年成就獎
HONG KONG TOP BRAND TEN YEAR
ACHIEVEMENT AWARD

© All rights reserved. Copying, reproducing or using the contents of this manual is not allowed without prior authorization from German Pool, violators will be prosecuted.