

**GERMAN  
POOL**

# uv + ozone STERILIZER BAG

OUB-108GY



## USER MANUAL

Please read these instructions and warranty information carefully before use and keep them handy for future reference.

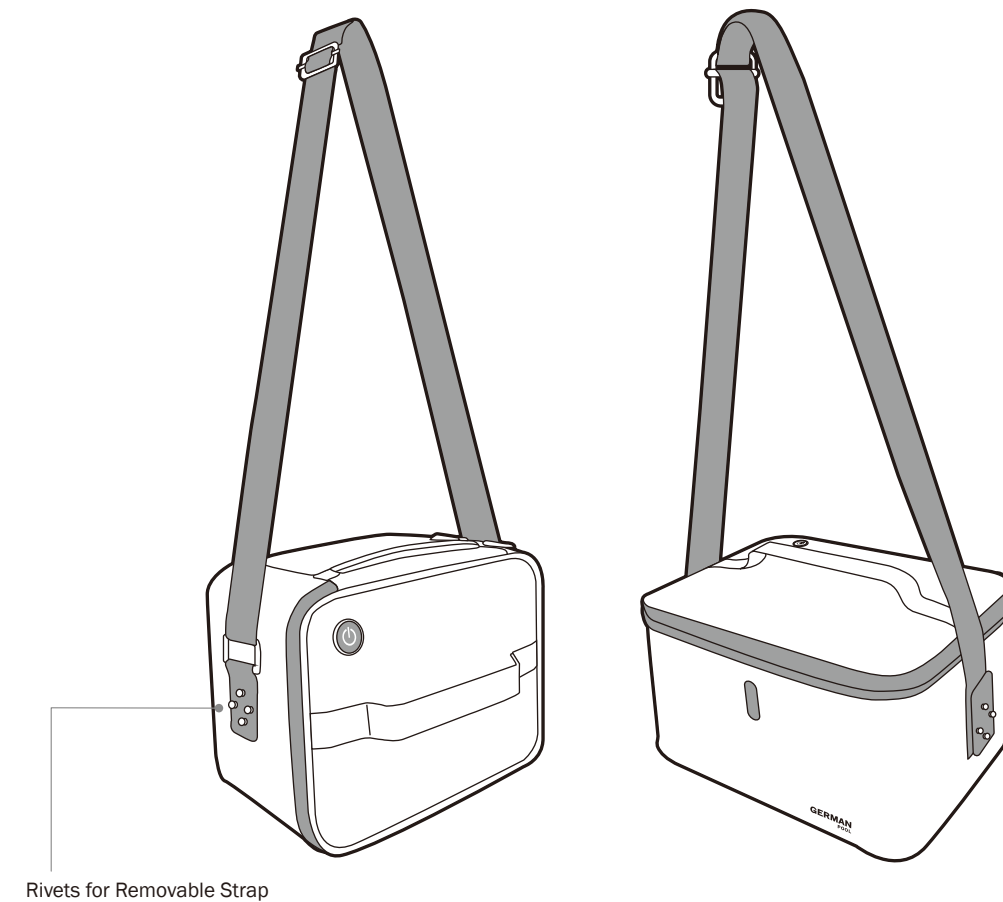
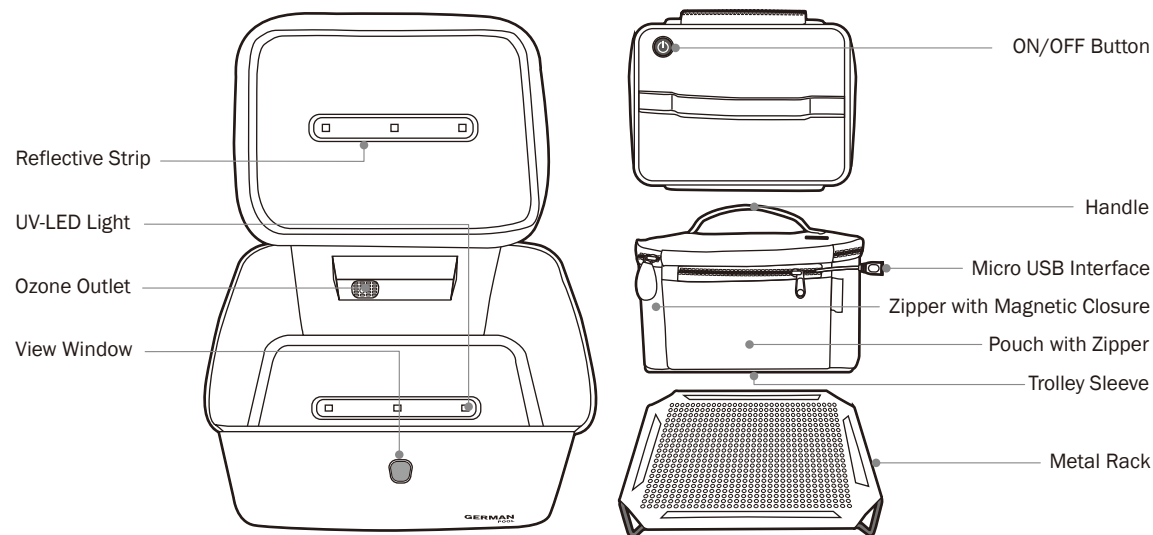
### WARNING AND SAFETY PRECAUTIONS

1. WARNING: DO NOT look directly into the UV light source as it may be damaging to your eyes.
2. WARNING: DO NOT let UV ultraviolet ray shine on exposed skin.
3. WARNING: DO NOT dismantle or immerse this product in water to avoid the occurrence of failures.
4. WARNING: DO NOT let children touch or use this product.

### ATTENTION:

1. This product's performance and effectiveness are subjected to disinfection time, item being disinfected and surrounding environmental factors.
2. This product is not a medical device. We do not claim that this product can treat, heal or defend against any illness or medical condition, or reduce its spread or severity.

### PRODUCT STRUCTURE



Comes with removable shoulder strap that allows the bag to be worn vertically or horizontally. Simply snap the strap onto the rivets on the sides of the bag.

### OPERATING INSTRUCTIONS

1. Open up magnetic zipper, place items on the metal rack.
2. Zip up completely, and let magnetic zipper slider fall naturally. Zipper slider will automatically latch onto the magnet on the side of the sterilizer bag.
3. After plugging in the power source, press to enter into Standby Mode, then press to change among the different modes below:

MODE	INDICATOR LIGHT	DEFAULT OPERATION TIME
Standby Mode	Green Light On	/
UV Sterilization Mode	Flashing Green Light	5 minutes
Ozone Sterilization Mode	Flashing Blue Light	5 minutes
UV + Ozone Sterilization Mode	Flashing Blue Green Light	5 minutes

4. During sterilization process, if magnetic zipper head is detached from the magnet, or if you long-press for 2 seconds, the product immediately returns to Standby Mode.
5. After sterilization process is completed, product automatically returns to Standby Mode. If left in Standby Mode for 1 minute, the product will automatically turn off.

### SPECIFICATION

Model No.	OUB-108GY
Rated Voltage	DC 5V
Rated Power	3.5 W
UV Wavelength	270 nm - 285 nm / 390 nm - 410 nm
Product Dimensions	(H)145 (W)280 (D)220 mm
Net Weight	0.86 kg

Specifications are subject to change without prior notice. If there is any inconsistency or ambiguity between the English version and the Chinese version, the Chinese version shall prevail. Refer to [www.germanpool.com](http://www.germanpool.com) for the most up-to-date version of the Operating Instructions.

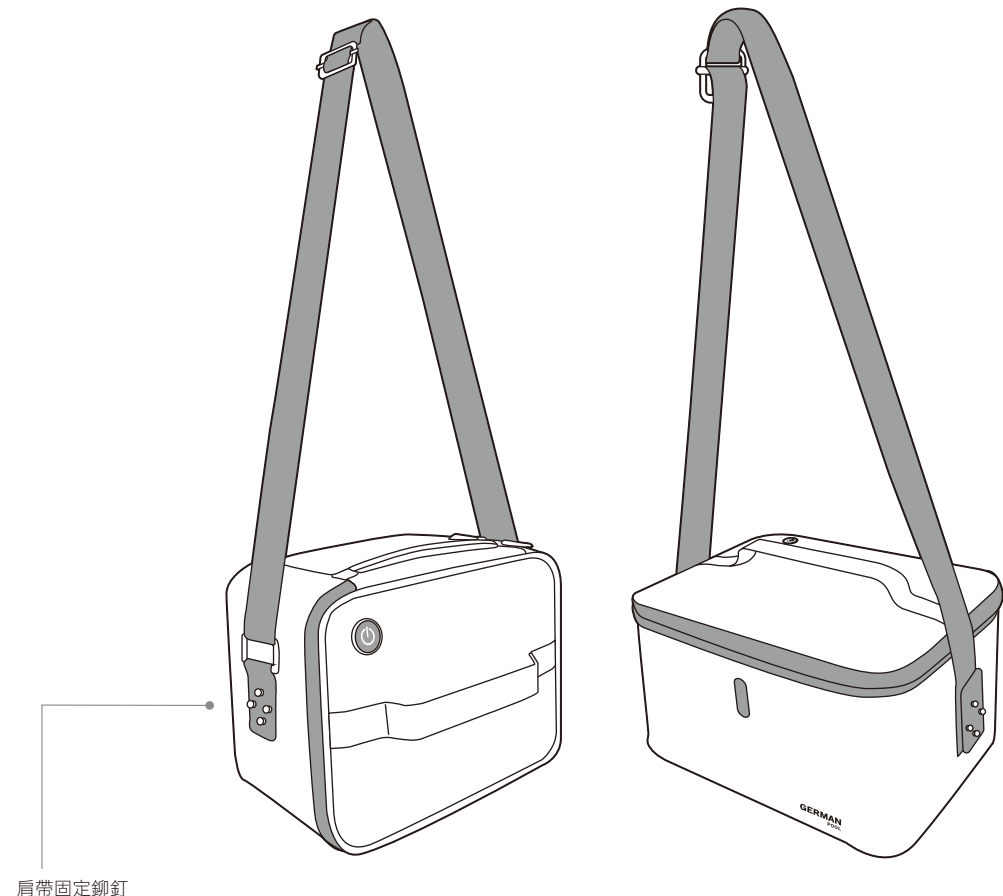
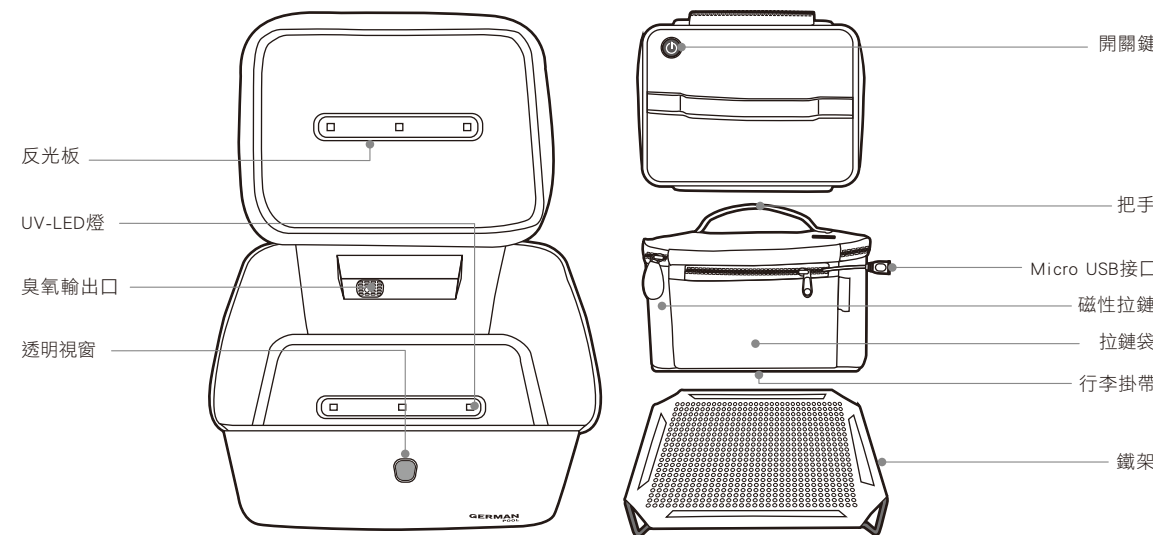
## 警告及注意事項

1. 警告：嚴禁任何角度望紫外線，以免對眼睛造成永久性損害。
2. 警告：嚴禁將紫外線照射皮膚，或讓皮膚暴露在紫外線之中。
3. 警告：嚴禁將產品分解或浸入水中，否則會引起產品故障。
4. 警告：嚴禁兒童觸碰或使用本產品。

## 注意：

1. 本產品實際使用效率會視乎環境因素而有所差異。
2. 本產品並非醫療用品；我們絕無聲稱本產品能處理、治療或防禦任何疾病，或減低其擴散或嚴重性。

## 產品結構



將可拆式肩帶垂直或水平卡在消毒袋側的鉚釘，可以垂直或水平側消消毒袋。

## 使用說明

1. 拉開磁性拉鍊，在鐵架上放置需要消毒的物品。
2. 將磁性拉鍊拉到盡頭使消毒袋閉合，磁性拉鍊自然垂下，吸附在消毒袋側。
3. 接通電源後，按 進入待機狀態，然後每按一次 循環切換以下功能：

模式	指示燈	預設運行時間
待機模式	綠燈常亮	/
UV殺菌模式	綠燈閃爍	5分鐘
臭氧殺菌模式	藍燈閃爍	5分鐘
UV+臭氧殺菌模式	藍綠燈同步閃爍	5分鐘

4. 殺菌過程中如磁性拉鍊未有吸附在消毒袋側，或長按 2秒，可立即返回待機模式。
5. 完成殺菌後自動返回待機模式，若1分鐘內沒有任何操作將自動關機。

## 技術規格

型號	OUB-108GY
電壓	DC 5V
功率	3.5 W
紫外線波長	270 nm - 285 nm / 390 nm - 410 nm
產品尺寸	(H)145 (W)280 (D)220 mm
淨重	0.86 kg

產品規格及設計如有變更，恕不另行通知。中英文版本如有出入，一概以中文版為準。  
本產品使用說明書以 [www.germanpool.com](http://www.germanpool.com) 網上版為最新版本。

## 保用條款

此保用提供德國寶產品之機件在正常使用下壹年保用(自購買日起計算)。

\* 貴戶須在購機十天內，以下列其中一種方式向本公司登記資料，保用手續方正式生效：

- 1) 填妥本公司網頁內之保用登記表格 [www.germanpool.com/warranty](http://www.germanpool.com/warranty)
- 2) 填妥保用登記卡，郵寄至本公司。



## Warranty Terms & Conditions

Under normal operations, the product will guarantee a 1-year full warranty provided by German Pool (effective from the date of purchase).

\*This warranty is not valid until customer registration information is received by our Service Centre within 10 days of purchase via one of the following means:

- 1) Visit our website and register online: [www.germanpool.com/warranty](http://www.germanpool.com/warranty)
- 2) Complete all the fields on the attached Warranty Card and mail it back to our Customer Service Centre.



另請填妥以下表格並與正本發票一併保存，以便維修時核對資料。用戶提供之所有資料必須正確無誤，否則免費保用將會無效。

Please fill out the form below. This information and the original purchase invoice will be required for any repairs. Warranty will be invalidated if information provided is found to be inaccurate.

型號 Model No. : **OUB-108GY**

機身號碼 Serial No. : \_\_\_\_\_

發票號碼 Invoice No. : \_\_\_\_\_

機身號碼 Serial No. : \_\_\_\_\_

購買日期 Purchase Date : \_\_\_\_\_

1. 未能出示購買發票正本者，將不獲免費維修服務。
2. 用戶應依照說明書的指示操作。本保用並不包括：
  - 上門安裝、檢驗、維修或更換零件之人工以及一切運輸費用；
  - 因天然與人為意外造成的損壞(包括運輸及其他)；
  - 任何塑膠附件及輔助裝置；
  - 電源接合不當、不依說明書而錯誤或疏忽使用本機所引致之損。
3. 於下列情況下，用戶之保用資格將被取消：
  - 購買發票有任何非認可之刪改；
  - 產品被用作商業或工業用途；
  - 產品經非認可之技術人員改裝或加裝任何配件；
  - 機身編號被撞自塗改、破壞或刪除。
4. 總代理有權選擇維修或更換配件。
5. 產品一經被轉讓，其保用即被視作無效。

1. Customer who fails to present original purchase invoice will be disqualified for free warranty.
2. Customer should always follow the operating instructions. This warranty does not apply to:
  - labour costs for on-site installation, check-up, repair, replacement of parts and other transportation costs;
  - damages caused by accidents of any kind (including transport and others);
  - plastic parts and accessories;
  - operating failures resulted from incorrect voltage, improper operations and unauthorized installations or repairs.
3. This warranty is invalid if:
  - purchase invoice is modified by unauthorized party;
  - product is used for any commercial or industrial applications;
  - product is repaired or modified by unauthorized personnel, or unauthorized parts are installed;
  - serial number is modified, damaged or removed from the product.
4. German Pool will, in its discretion, repair or replace any defective part.
5. This warranty will be void if there is any transfer of ownership from the original purchaser.

## 客戶服務及維修中心

### 香港

九龍灣啟興道1-3號  
九龍貨倉10樓  
電話：+852 2333 6249  
傳真：+852 2356 9798  
電郵：repairs@germanpool.com

### 澳門

澳門俾利喇街145號  
寶豐工業大廈3樓  
電話：+853 2875 2699  
傳真：+853 2875 2661

## Customer Service & Repair Centre

### Hong Kong

10/F, Kowloon Godown  
1-3 Kai Hing Road, Kowloon Bay,  
Kowloon, Hong Kong  
Tel: +852 2333 6249  
Fax: +852 2356 9798  
Email: repairs@germanpool.com

### Macau

3/F, Edificio Industrial Pou Fung,  
145 Rua de Francisco Xavier Pereira,  
Macau  
Tel: +853 2875 2699  
Fax: +853 2875 2661