

Slide-out Type  
Range Hood

TF-600W/TF-900W



Online Warranty Registration



Please read these instructions and warranty information carefully before use and keep them handy for future reference.

**USER MANUAL**

# 目錄 TABLE OF CONTENTS

---

注意事項	NOTICE BEFORE USE	_____	P.3
產品結構	PRODUCT STRUCTURE	_____	P.4
安裝說明	INSTALLATION INSTRUCTIONS	_____	P.5
操作說明	OPERATING INSTRUCTIONS	_____	P.7
清潔與維護	CARE & MAINTENANCE	_____	P.8
技術規格	TECHNICAL SPECIFICATIONS	_____	P.9
保用條款	WARRANTY TERMS & CONDITIONS	_____	P.11

# 注意事項 NOTICE BEFORE USE

## 重要說明

為安全起見，初次使用產品前請先細閱本說明書，並保存說明書，以便日後作參考之用。

本產品只供家居使用。請必須依照本說明書內的指示安裝及操作。

- 抽油煙機必須由總代理或合格技師安裝，以免產生危險。
- 確保抽油煙機必須直接安裝在牆上或吊櫃的底下部份。
- 切勿將抽油煙機安裝於接近窗口位置，以免被雨水沾濕，引致危險。
- 切勿將抽油煙機或電源線放入水中或以液體噴射，以免觸電。
- 進行維修保養前，先切斷電源。
- 拆下零件清洗或裝回零件前必須先關掉雙極開關掣。
- 切勿在有易燃氣體或有爆炸物品的環境下操作抽油煙機。
- 如電源線損壞或抽油煙機發生故障、跌撞或有任何損壞，切勿操作抽油煙機。
- 切勿讓電源線接觸熱的表面。
- 抽油煙機操作時不要裝拆或檢查過濾網。
- 長時間使用後，不要接觸照明燈。
- 此抽油煙機只可作家居用途，不可作工商業用途。
- 在未完全安裝及調校抽油煙機前，切勿開動抽油煙機。
- 因未有完全遵照此說明書而引致的損失，德國寶概不負責。
- 安裝、清潔、更換燈泡及拆除抽油煙機時請戴上安全手套，以免受傷。

## 警告

當電源線損壞，必須由德國寶或合格技師更換，免生危險。

本抽油煙機符合EMC89/336/EEC及修訂後的92/31/EEC及93/68/EEC。

如室內裝有燃氣爐具而不是對衡式的，必須確保室內有足夠的空氣入口。

## IMPORTANT

For safety purpose you should read the instructions carefully before using the appliance for the first time. Save the instructions for future reference.

The appliance is designed for domestic use and may only be installed and operated in accordance with these instructions for use.

- The appliance must be installed by German Pool or qualified technicians in order to avoid hazards.
- Make sure range hood must be fixed directly to a wall or mounted in the bottom part of a hanging cupboard.
- Do not install range hood close to a window, as rain may cause electrical hazards.
- To protect against electrical shock, do not immerse unit or cord in water or spray with liquids.
- Before performing any maintenance operation, disconnect range hood from the main power supply.
- Switch off the main omnipolar switch before cleaning or maintenance.
- Do not operate in the presence of explosive or flammable fumes.
- Do not operate any appliance with a damaged cord, after the appliance malfunctions or has been dropped or damaged in any manner.
- Do not let cord come into contact with any hot surface.
- Do not check filter when appliance is running.
- Do not touch the lamps after prolonged use of the appliance.
- This product is intended for HOUSEHOLD USE only and not for commercial or industrial use.
- Do not switch on the appliance unless completely installed and adjusted.
- German Pool refuses to accept any responsibility for eventual damages due to failure to observe the above instructions.
- Please wear safety gloves for installation, cleaning, light bulb changing and dismantling in order to prevent injuries.

## Warning

When the supply cord is damaged, it must be replaced by German Pool or qualified technicians in order to avoid hazards.

This appliance complies with directions EMC 89/336/EEC, and the revised 92/31/EEC and 93/68/EEC.

If the room contains a flued fuel burning appliance which is not of the "balanced flue" type, make sure there is an adequate air inlet to the room all the time.

# 產品結構 PRODUCT STRUCTURE

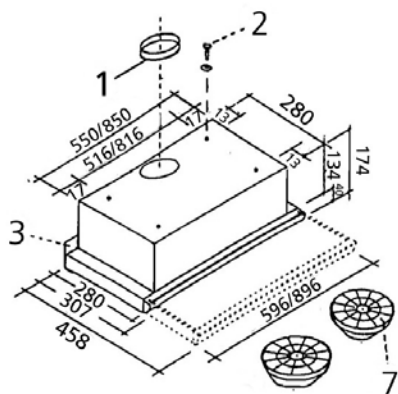


圖1  
Fig. 1

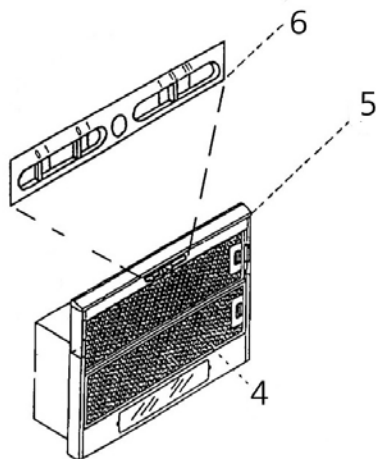


圖2  
Fig. 2

尺寸 (mm)  
Dimensions (mm)

- 1: 接駁圈
- 2: 螺絲
- 3: 牆身擋板
- 4: 金屬濾網
- 5: 抽拉板
- 6: 控制面板
- 7: 活性碳過濾網 (另購配件)

- 1: Connecting Ring
- 2: Screws
- 3: Spacer
- 4: Metal Grid
- 5: Slide-out Panel
- 6: Control Panel
- 7: Carbon Filters (Optional Part)

# 安裝說明 INSTALLATION INSTRUCTIONS

## 電線接駁

- 必須按照下列指示接駁電源總掣：

藍 ----- “N” 中線  
啡 ----- “L” 火線

- 抽油煙機電源線內電線的顏色未必與插頭的顏色標記相符，請按如下進行：

- 啡色的電線必須接駁至標 “L” 字或紅色接頭
- 藍色的電線必須接駁至標 “N” 字或黑色接頭

如插頭的接頭沒有標記或有疑問，請向合格電工查詢。

如沒有提供插頭，請按標籤所列電量配以適當的插頭。

如直接接駁電源總掣，必須在總掣之間裝上雙極式開關，兩極之間應保持最少3 mm距離，並必須遵照有關電線安裝條例以固定電線安裝。

注意：如照明燈不能亮着，查看是否已經旋緊。

## 使用方式

抽油煙機的設計可作「抽吸方式」操作向外排氣，或以「過濾方式」作內部循環。

## 安裝

抽油煙機附有

- 牆身擋板 1塊
- 螺絲 4粒
- 燈泡 2個

- 安裝後，抽油煙機底部與爐面必須相距最少 65 cm。
- 將抽油煙機安裝在櫃或其他支架上，利用提供的4粒螺絲固定機身。
- 調校牆身擋板使抽油煙機緊貼牆身。
- 接駁電源前先確保供電資料與機身標貼相同。

## ELECTRICAL CONNECTION

- The connection to the electrical mains must be made as follows:

BLUE – “N” NEUTRAL  
BROWN – “L” LIVE

- The colour of the cords inside the power cord may not match with the colour shown on the plug. In this case, proceed as follows:

- Connect brown cord to “L” or red terminal
- Connect blue cord to “N” or black terminal

If the terminals of the plug are unmarked or if you are in any doubt, consult a qualified electrician.

If the plug is not supplied, fit a plug according to the load shown on the rating plate.

If connection is directly made to the main power switch, an omnipolar switch with the minimum opening distance of 3 mm must be installed to it. Cords must be installed according to the relative regulations.

Note: Should the lamps not work, check whether they are fixed tightly.

## UTILIZATION

The hood is designed to be used either as a “Suction Hood” for external evacuation or a “Filtering Hood” for internal re-circulation.

## INSTALLATION

The range hood is supplied with

- 1 Spacer
- 4 Screws
- 2 Bulbs

- When installed, the hood must be at least 65 cm above the cooktop.
- This hood is designed for fitting in a cabinet or on other support. Using the 4 screws supplied to secure the hood.
- Adjust the spacer to closely attach the hood to the wall.
- Before completing any connection, make sure the house voltage corresponds with the voltage indicated on the data label.

# 安裝說明 INSTALLATION INSTRUCTIONS

## · 抽吸方式

以排氣喉接駁排氣口（直徑125 mm）。

當抽油煙機不可接駁至其他排氣管道或熱空氣循環的管道內，亦不可接駁用作排放以其他能源操作的器具所產生的煙氣。

當抽油煙機用作抽吸模式時，需注意可能影響於附近利用空氣助燃的器具之操作。因此為確保正常操作，室內必須保持空氣流通。

不可將非電力操作的燃氣器具的排氣管道，用於向外抽吸模式的操作。

## · 過濾方式

如沒有排氣喉排出室外，可使用活性炭過濾網。空氣會經過濾網過濾然後循環。

過濾網不可清洗及必須最少每六個月更換一次。污物在過濾網的沉澱程度視乎使用時間長短、烹調方式及清洗隔油過濾金屬網次數而定。

活性炭過濾網須安裝於機身抽氣機組中間位置，鎖緊時會聽到聲音。

安裝時須拆下金屬濾網。

以接駁圈連接接駁喉。空氣會經吊櫃內的接駁喉排放。

以過濾方式操作，活性炭過濾網安裝如下：

1. 打開金屬濾網。
2. 將活性炭過濾網對準摩打旋緊以固定位置。
3. 裝回金屬濾網。

## · SUCTION HOOD

Connect the air outlet to the exhaust pipe (with a diameter of 125 mm).

The hood must not be connected to fuel exhaust or to a duct in which hot air is circulated or to a duct utilized for exhausting fumes from appliances powered by an energy other than electricity.

When using the hood in suction version, beware of the nearby burners that take air for combustion. To ensure normal functioning, it is necessary to keep good ventilation of the room.

Exhaust must not be carried out in a flue utilized for the combustible gas of appliances not powered by electricity.

## · FILTERING HOOD

When there is no exhaust pipe for venting fumes to the outdoors, you can use carbon filters. The air is then depurated by the filters and discharged back into the surroundings.

The filter is not washable; it cannot be regenerated and have to be replaced at least once every 6 months. Saturation of the carbon filters depends on prolonged use of the hood, on cooking habits and on frequency of grease filter cleaning.

Carbon filters should be installed in the middle position of the air-extracting apparatus. A sound will be heard when the filters are correctly positioned and locked.

Remove the metal grid during installation.

The air is released in the room through a connecting pipe, which goes through the hanging cupboard. The connecting pipe should be connected to the connecting ring supplied.

To use the appliance as a filtering hood, install carbon filters as follows:

1. Open the metal grid.
2. Secure the carbon filters to the motors through the knob.
3. Reinstall the metal grid.

# 操作說明 OPERATING INSTRUCTIONS

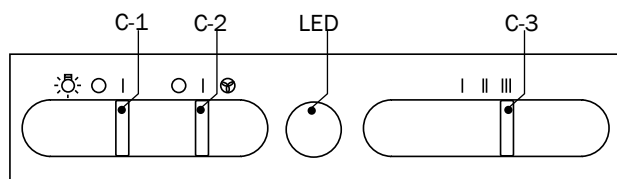


圖3 控制面板  
Fig. 3 Control Panel

1. 盡量拉出抽拉板 (160 mm) ，以發揮理想的抽油煙效能。
2. 將 (C-1) 掣從 "○" 推到 "I" ，以開啟照明燈。
3. 將 (C-2) 掣從 "○" 推到 "I" 位置，以低速操作。
4. 將 (C-3) 掣從 "I" 推到 "II" 位置，以調校至中等速度。
5. 將 (C-3) 掣從 "II" 推到 "III" 位置，以調校至高速。
6. 將 (C-2) 掣從 "I" 推到 "○" 位置以關機。

注意： 摩打操作時LED會亮着，用戶可在操作時轉換速度。

1. The slide-out panel has to be pulled to its maximum extension (160 mm), so as to optimize the extraction capacity.
2. Slide (C-1) switch from "○" to "I" to switch on the lamps.
3. Slide (C-2) switch from "○" to "I" to run the range hood in low speed.
4. Slide (C-3) switch from "I" to "II" to run in medium speed.
5. Slide (C-3) switch from "II" to "III" to run in high speed.
6. Slide (C-2) switch from "I" to "○" to switch off the range hood.

Note: When the range hood is operating, the LED will be on. Users can change the speed during operation.

# 清潔與維護 CARE & MAINTENANCE

---

## 保養

定期保養可確保抽油煙機有效運作，特別是金屬濾網及活性碳過濾網。

金屬濾網會絆着空氣中的油脂微粒，視乎使用及烹調方式經過一段時間會堵塞金屬過濾網，必須最少每隔兩個月清洗一次，方法如下：

1. 拆下金屬過濾網，以中性清潔劑混和暖水清洗，使污跡軟化。
  2. 以溫水沖洗。
- \* 如不遵照以上程序清洗會有引起火警的危險。

活性碳過濾網在過濾方式中會隔取氣味及淨化空氣。經長時間使用及視乎烹調模式及次數，污物會在過濾網積聚。

最少須每6個月更換活性碳過濾網。以濕布沾火酒或溫和清潔劑經常清理摩打外殼及其他表面。

## 更換燈泡

1. 切斷電源。
2. 除下燈罩。
3. 以相同類型的燈泡更換壞掉的燈泡，再套上燈罩。

## MAINTENANCE

Regular maintenance should be carried out to ensure effective functioning of the hood, particularly in the case of the grid and carbon filters.

The grid has the function of catching the fat particles suspended in the air. It is thus subject to clogging at various intervals, depending on usage and cooking habits. In any case, it is necessary to clean the grid at least once every two months according to the following steps:

1. Remove the grid and wash it with a solution of lukewarm water and mild detergent, allowing the dirt to soften.
  2. Rinse thoroughly with lukewarm water.
- \* There is a risk of fire if the hood is not cleaned in accordance with the above instructions.

During operation, the carbon filters are capable of trapping odors and purifying the air. Depending on cooking habits and frequency, carbon filters must be replaced after prolonged use.

It is necessary to replace the filters at least once every six months. Clean frequently all the deposits on the motor case and the other surfaces by using a cloth moistened by methylated spirits or mild detergent.

## CHANGING THE BULBS

1. Disconnect the hood from the electricity.
2. Remove the lamp cover.
3. Always replace burnt-out lamps with the same and then reposition the lamp cover.

# 技術規格 TECHNICAL SPECIFICATIONS

---

型號 Model	TF-600W	TF-900W
電壓 Voltage	220-240 V / 50 Hz	
功率(最大) Rated Power (Max)	330 W	
排風量(最大) Exhaust Flow Rate (Max)	705 m <sup>3</sup> /hr	
排風口直徑 Exhaust Outlet Diameter	Ø 125 mm	
功率：照明燈 Power: Lighting	2 X 40 W	
機身尺寸 Dimensions (mm)	(H) 174 (W) 600 (D) 280-432	(H) 174 (W) 900 (D) 280-432

產品規格及設計如有變更，恕不另行通知。  
Specifications are subject to change without prior notice.

中英文版本如有出入，一概以中文版為準。  
If there is any inconsistency or ambiguity between the English version and the Chinese version, the English version shall prevail.

如欲獲取更多有關本產品最新資訊及食譜，歡迎瀏覽本公司網站  
For additional product information and cooking recipes, please visit our website

[www.germanpool.com](http://www.germanpool.com)

# 保用條款

# Warranty Terms & Conditions

此保用提供德國寶產品之機件在正常使用下壹年保用(自購買日起計算)。

Under normal operations, the product will guarantee a 1-year full warranty provided by German Pool (effective from the date of purchase).

\*貴戶須在購機十天內，以下列其中一種方式向本公司登記資料，保用手續方正式生效：

1) 填妥德國寶VIP手機應用程式保用登記表(掃描右方二維碼)

2) 填妥本公司網頁保用登記表  
[www.germanpool.com/warranty](http://www.germanpool.com/warranty)

3) 填妥保用手郵寄至本公司



\* This warranty is not valid until customer registration information is received by our Service Centre within 10 days of purchase via one of the following means:

1) Visit our VIP App and register online:  
(Scan the QR Code on the right)

2) Visit our website and register online:  
[www.germanpool.com/warranty](http://www.germanpool.com/warranty)

3) Complete the attached Warranty Card and mail it back to our Customer Service Centre.



另請填妥以下表格並與正本發票一併保存，以便維修時核對資料。用戶提供之所有資料必須正確無誤，否則免費保用將會無效。 Please fill out the form below. This information and the original purchase invoice will be required for any repairs. Warranty will be invalidated if information provided is found to be inaccurate.

型號 Model No. :  TF-600  TF-900

機身號碼 Serial No. : \_\_\_\_\_

購買商號 Purchased From : \_\_\_\_\_

發票號碼 Invoice No. : \_\_\_\_\_

購買日期 Purchase Date : \_\_\_\_\_

1. 未能出示購買發票正本者，將不獲免費維修服務。
2. 用戶應依照說明書的指示操作。本保用並不包括：
  - 上門安裝、檢驗、維修或更換零件之人工以及一切運輸費用；
  - 因天然與人為意外造成的損壞(包括運輸及其他)；
  - 電源接合不當、不依說明書而錯誤或疏忽使用本機所引致之損壞。
3. 於下列情況下，用戶之保用資格將被取消：
  - 購買發票有任何非認可之刪改；
  - 產品被用作商業或工業用途；
  - 產品經非認可之技術人員改裝或加裝任何配件；
  - 機身編號被擅自塗改、破壞或刪除。
4. 總代理有權選擇維修或更換配件或其損壞部份。
5. 產品一經被轉讓，其保用即被視作無效。

1. Customer who fails to present original purchase invoice will not be eligible for free warranty service.
2. Customer should always follow the operating instructions. This warranty does not apply to:
  - labour costs for on-site installation, check-up, repair, replacement of parts and other transportation costs;
  - damages caused by accidents of any kind (including material transfer and others);
  - operating failures resulting from applying incorrect voltage, improper usage, and unauthorized installations or repairs.
3. This warranty is invalid if:
  - the purchase invoice is modified by an unauthorized party;
  - the product is used for any commercial or industrial purposes;
  - the product is repaired or modified by unauthorized personnel, or unauthorized parts are installed;
  - the serial number is modified, damaged or removed from the product.
4. German Pool will, at its discretion, repair or replace any defective part.
5. This warranty will be void if there is any transfer of ownership from the original purchaser.

## 客戶服務及維修中心

香港

澳門

九龍大業街59號

澳門青洲大馬路(青洲新路)

三湘九龍灣貨運中心地下B室

515號美居廣場第二期1樓A座

電話: +852 2773 2888

電話: +853 2875 2699

傳真: +852 2356 9798

傳真: +853 2875 2661

電郵: [repairs@germanpool.com](mailto:repairs@germanpool.com)

## Customer Service & Repair Centre

Hong Kong

Macau

Unit B, G/F, Sunshine Kowloon Bay

A, 1 Andar, Mei Kui Kuong

Cargo Centre, 59 Tai Yip Street,

Cheong Faze 2, No.515 Avenida

Kowloon, Hong Kong

Do Conselheiro Borja Macau

Tel: +852 2773 2888

Tel: +853 2875 2699

Fax: +852 2356 9798

Fax: +853 2875 2661

Email: [repairs@germanpool.com](mailto:repairs@germanpool.com)

此保用只適用於香港及澳門

This warranty is valid only in Hong Kong and Macau

## German Pool (Hong Kong) Limited



香港 (S MARK)  
安全認證



中國電器/康電行業  
十大影響力品牌

CEO

CEO非凡品牌大賞



香港優質商號



香港工商業獎



最具昇管  
創建品牌企業獎



香港中小企業  
最佳拍檔大獎



香港消費者  
推崇品牌



香港 (Q 標)  
優質服務證書



香港名牌十年成就獎  
HONG KONG TOP BRAND TEN YEAR  
ACHIEVEMENT AWARD

© All rights reserved. Copying, reproducing or using the contents of this manual is not allowed without prior authorization from German Pool, violators will be prosecuted.