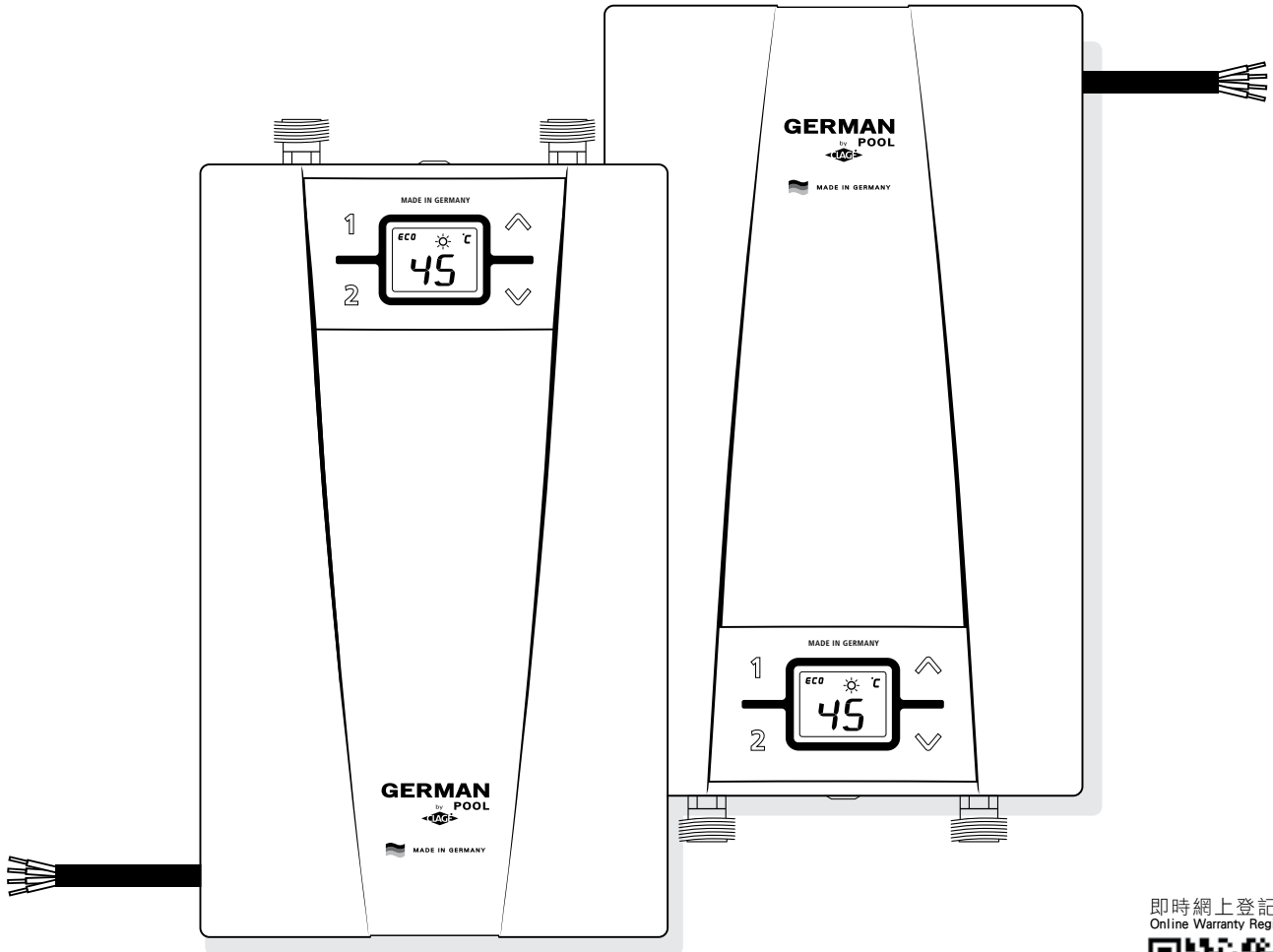


GERMAN by POOL CLAGE

即熱式電熱水器
Instantaneous Water Heater

CEX21/CEX21-U



歐盟 A 級能源效益認證
EU ENERGY EFFICIENCY CLASS A



即時網上登記保用
Online Warranty Registration



在使用之前請詳細閱讀「使用說明書」及「保用條例」，並妥為保存。
Please read these instructions and warranty information carefully before use and keep them handy for future reference.



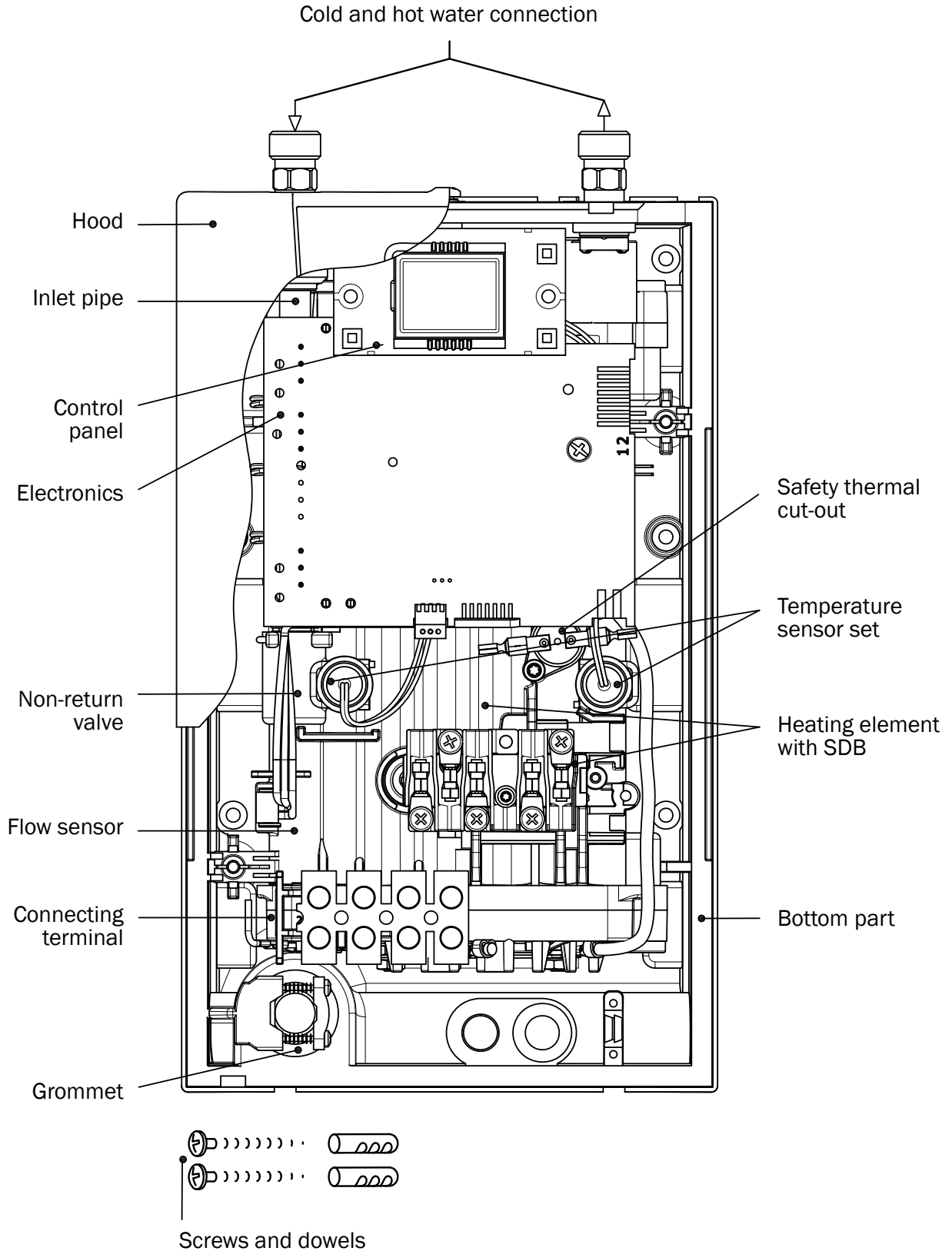
使用說明書 | OPERATING INSTRUCTIONS

Contents

1. Overview	03
2. Safety instructions	04
3. Description of appliance	04
4. Technical specifications	05
5. Dimensions	06
6. Typical installation	06
7. Installation	07
Mounting the appliance	08
Installing the appliance	08
8. Electrical connection	09
Wiring diagram	09
Structural prerequisites	09
Electrical installation to a permanent connection	09
9. Initial operation	10
Selection of power rating	10
Remote control	11
Reinstallation	11
Lock level	11
10. How to use	12
Temperature setting	12
Programme buttons	12
Temperature limitation	13
Reset to factory setting	13
How to save energy	14
ECO mode	14
Power limit	14
Operation with solar systems	14
Venting after maintenance work	15
Cleaning and maintenance	15
11. Environment and recycling	15
12. Service menu	16
13. Trouble-shooting and service	18
Quick reference guide	19

1. Overview

When ordering spare parts, please always specify the appliance model and serial number.



2. Safety Instructions



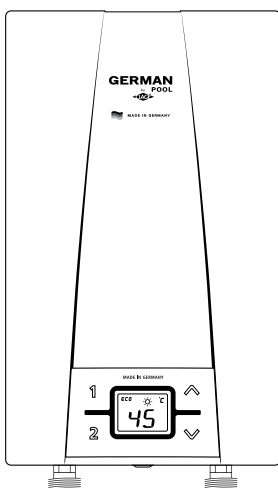
Please read these instructions carefully before installing or using the appliance! Keep the instructions handy with the appliance for future use!

Instruction manuals are intended for the specialist who is responsible for the installation of the appliance. Operation manuals are for the end user.

The latest version of the instructions can be found online at www.germanpool.com.

- Do not use the appliance until it has been correctly installed and unless it is in perfect working order.
- The appliance is only suitable for domestic use and similar applications inside closed rooms, and must only be used to heat incoming water from mains supply.
- The appliance must never be exposed to frost.
- The appliance must be earthed at all times.
- Do not remove the front cover under any circumstances before switching off the mains electrical supply to the unit.
- Never make technical modifications, either to the appliance itself or the electrical leads and water pipes.
- Pay attention to the fact that water temperatures in excess of approx. 43 °C are perceived as hot, especially by children, and may cause a feeling of burning. Please note that the fittings and taps may be very hot when the appliance has been in use for some time.
- This appliance can be used by children aged 8 years and above and persons with reduced physical, sensory or mental capabilities or lack of experience and knowledge if they have been given supervision or instruction concerning use of the appliance in a safe way and understand the hazards involved. Children shall not play with the appliance.
- Cleaning and user maintenance shall not be performed by children without supervision.
- The values stated on the rating plate must be observed.
- In case of malfunction, disconnect the fuses immediately. In case of leaks, cut off the mains water supply instantly. Repairs must only be carried out by the customer service department or an authorised professional.

3. Description of Appliance







The instantaneous water heater CEX21/CEX21-U is a microprocessor-controlled, pressure-resistant hot water heater for a decentralised hot water supply to one or more outlets.

Its electronic control regulates the heating power consumption depending on the selected outlet temperature, the respective inlet temperature and the flow rate, thus reaching the set temperature exactly to the degree and keeping it constant in case of pressure fluctuations. The required outlet temperature can be entered on a keypad and can be read off the digital display.

The maximum inlet temperature can be up to 70 °C so that operation in connection with solar heating systems is possible.

4. Technical Specifications

Model	CEX21 ELECTRONIC MPS® / CEX21-U ELECTRONIC MPS®	
Energy efficiency class	A *)	
Rated capacity / rated current	18 / 21 kW (26 / 30 A)	
Chosen capacity (Chosen current)	18kW (26A)	21 kW (30 A)
Electrical connection	3 / PE 380..415V AC	
Min. required cable size	4 mm ²	4 mm ²
Hot water (l/min) max. at $\Delta t = 33\text{ K}$	7.8	9.1 ¹⁾
Rated volume	0.3l	
Type	Pressure type 1.2 MPa (12 bar)	
Heating system	Bare wire heating system IES®	
Required spec. water resistance @ 15 °C Spec. electrical conductivity	$\geq 1000\ \Omega\text{cm}$ $\leq 100\text{mS/m}$	
Inlet temperature	$\leq 70\ \text{°C}$	
Flow rate to switch on – max. flow rate	2.0 – 8.0l/min ²⁾	
Pressure loss	0.2 bar at 2.5l/min 1.3 bar at 9.0l/min ³⁾	
Temperature choice	20 – 60 °C	
Water connection	G ¹ / ₂ inch	
Weight (when filled w. water)	2.7 kg	
VDE class of protection	I	
Type of protection / safety	   IP25 ⁴⁾ 	

*) The declaration complies with the EU regulation No 812/2013

1) Mixed water

2) Flow rate limited to achieve optimum temperature rise

3) Without flow regulator

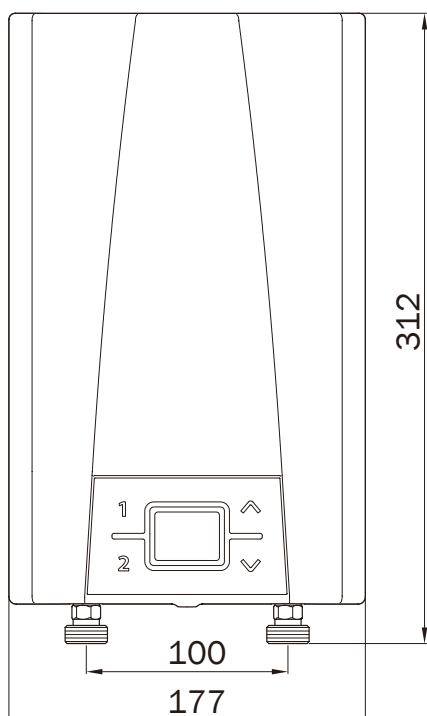
4) IP24 for CEX 21-U

- Specifications are subject to change without prior notice.

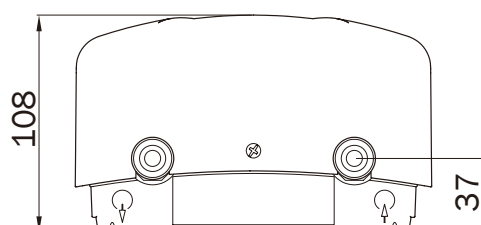
- If there is any inconsistency or ambiguity between the Chinese version and the English version, the English version shall prevail.

- Refer to www.germanpool.com for the most up-to-date version of the User Manual.

5. Dimensions



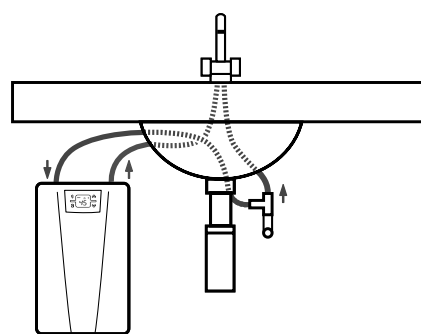
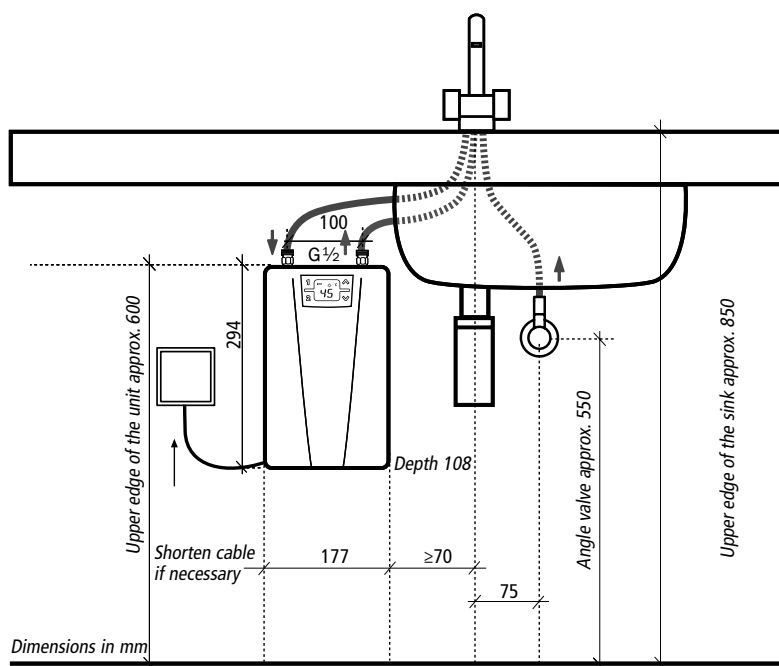
Dimensions in mm



6. Typical Installation

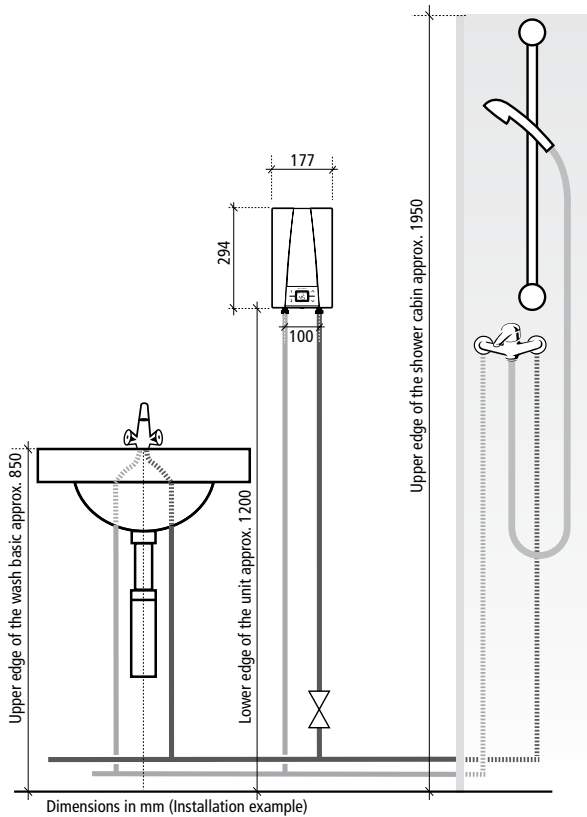
Example of an open-outlet installation with special tap:

Example of a closed-outlet installation:

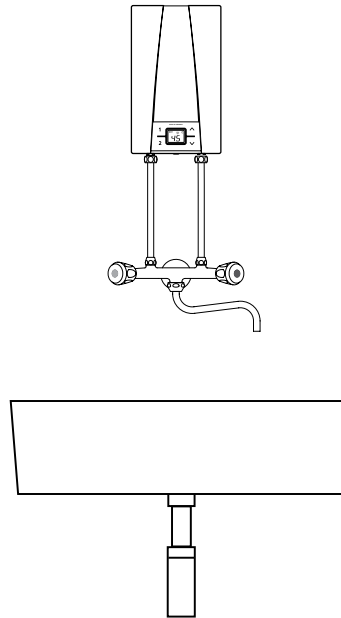


6. Typical Installation

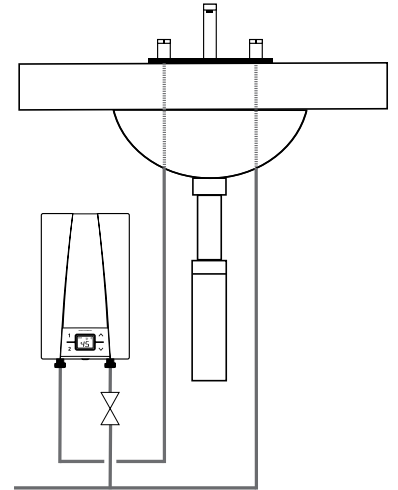
CEX21 at direct connection:
Supply for multiple outlets



CEX21 wall mounted mixer: Supply for one sink



Direct connection:
Supply for outlet sink



7. Installation

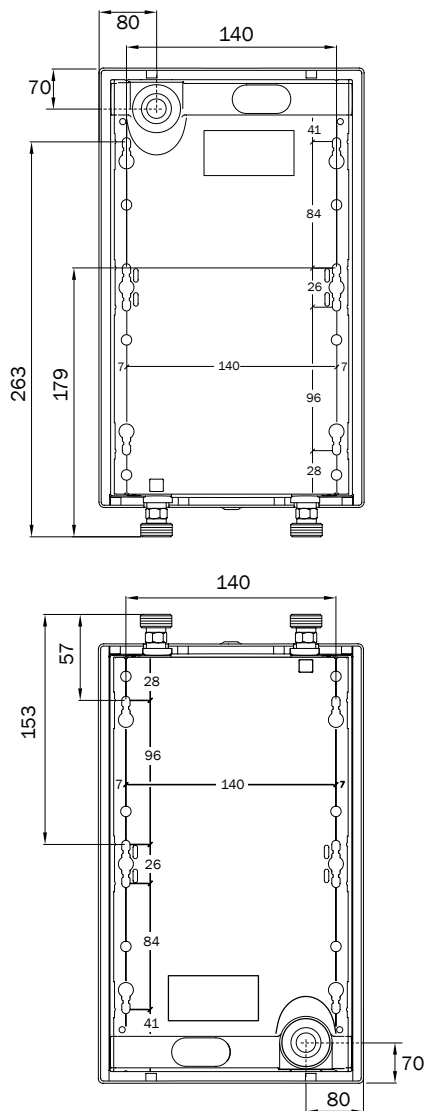
The following regulations must be observed:

- EN 806
- Installation must comply with all statutory regulations, as well as those of the local electricity and water supply companies.
- The rating plate and technical specifications
- Only intact and appropriate tools must be used.

Installation site

- Appliance must only be installed in frost-free rooms. Never expose appliance to frost.
- The Appliance is designed for undersink installation and has to be installed with water connectors upward.
- The appliance complies with protection type IP24.
- In order to avoid thermal losses, the distance between the instantaneous water heater and the tapping point should be as small as possible.
- For maintenance work, a shut-off valve should be installed in the supply line. The appliance must be accessible for maintenance work.
- Copper or steel connecting pipes may be used. Plastic pipes may only be used if they conform to DIN 16893, Series 2. The hot water pipes must be thermally insulated.
- The specific resistance of the water must be at least 1000 Ωcm at 15 °C. The specific resistance can be asked for with your water supply company.

7. Installation

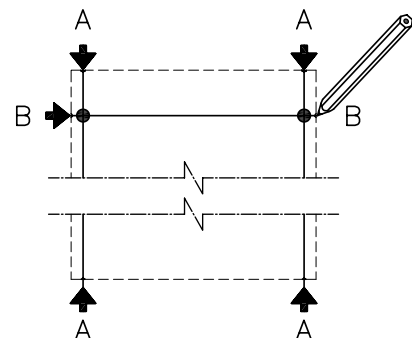
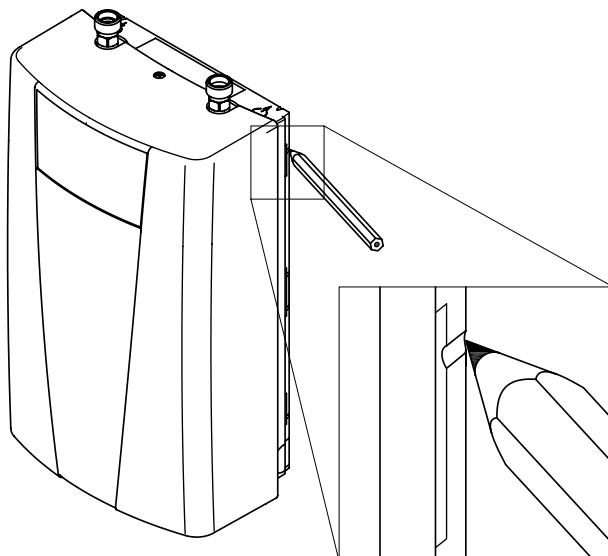


Mounting the appliance

1. Thoroughly rinse the water supply pipes before installation to remove soiling from the pipes.
2. Hold the appliance on the wall, and mark the drill lines at top and bottom, right and left, corresponding to the small notches at the edge of the appliance hood (see bottom figure). The alignment template (located on the back inside cover of this manual) may be used for this purpose alternatively.
3. Connect the top and bottom marks vertically with each other (A-A).
4. Connect the right and left marks horizontally with each other (B-B).
5. The intersections of these lines are the drill points.
6. Drill the holes using a 6 mm drill. Insert the included dowels and screws. The screws have to protrude 5 mm.
7. Hang up the appliance into the rear hanging openings until it clicks into place.

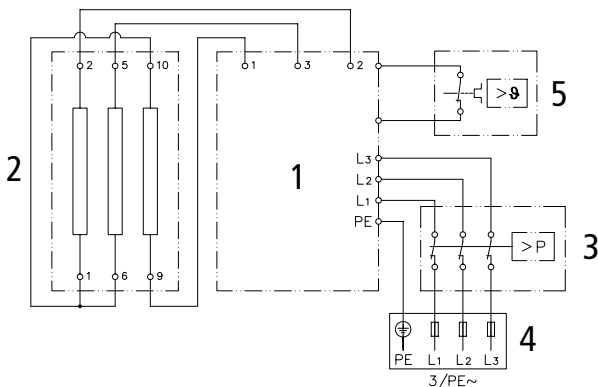
Installing the appliance

1. Attach the water connection pipes to the appliance's water connection. Use the 1/2 inch seals.
2. Open and close the hot water tap until no more air emerges from the pipe and all air has been eliminated from the water heater.

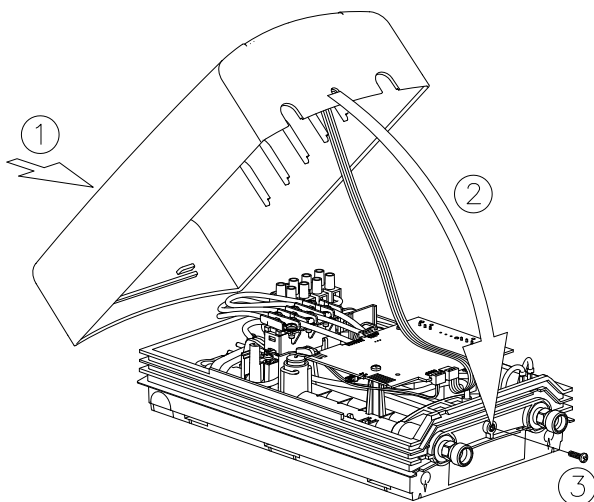
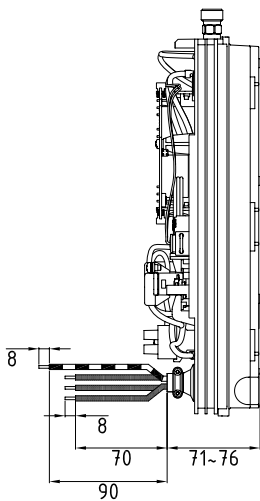


8. Electrical Connection

Wiring diagram



1. Electronic circuitry
2. Heating element
3. Safety pressure cut-out
4. Terminal strip
5. Safety thermal cut-out



Only by a specialist! Please observe:

- VDE 0100
- The installation must comply with current IEC or national local regulations and any particular regulations, specified by the local electricity supply company
- The rating plate and technical specifications
- The unit must be earthed!

Structural prerequisites

- The appliance must be installed via a permanent connection. Heater must be earthed! A maximum cable size must be observed: 10 mm².
- The electric wiring should not be injured. After mounting, the wiring must not be direct accessible.
- An all-pole disconnecting device (e.g. via fuses) with a contact opening width of at least 3 mm per pole should be provided at the installation end.
- To protect the appliance, a fuse element must be fitted with a tripping current commensurate with the nominal current of the appliance.

Electrical connection

Check that the power supply is switched off prior to electrical connection!

Electrical connection with preinstalled power cable

The appliance is to be connected with the pre-installed power cable to a terminal box. If necessary, use one of the three predetermined breaking points for the cable entry (at the right, left or bottom).

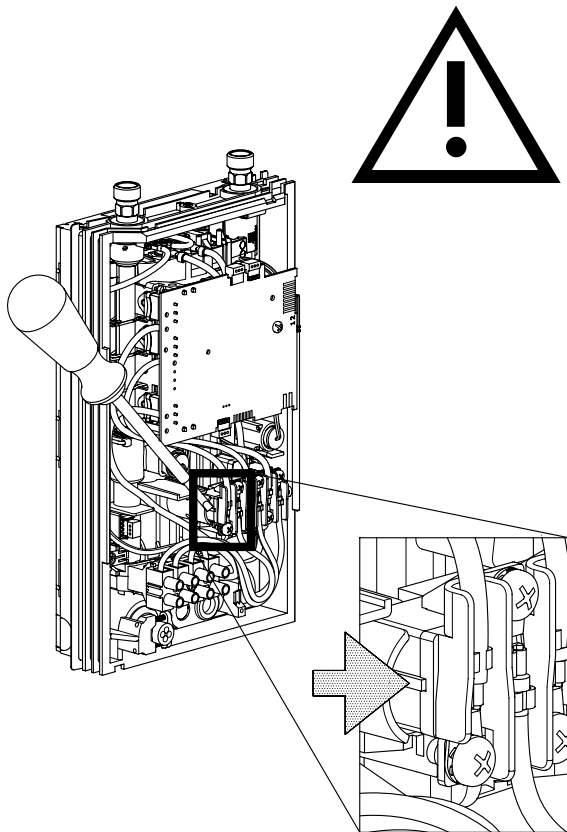
Alternative:

Electrical installation to a permanent connection

If, in case of particular local circumstances, connecting to a permanent connection is the only possibility, continue as follows.

1. Disassemble the pre-installed power cable.
2. Dismantle off the power cable so that you can insert the cable with the cladding through the water splash protection sleeve up to the cord grip into the appliance.
3. Lead the cable through the water splash protection sleeve into the appliance so that one can securely fix the cladding of the cable with the cord grip. If necessary, use one of the three predetermined breaking points for the cable entry (at the right, left or bottom). The protective sleeve prevents water from entering the appliance alongside the connection line. The protection sleeve has to be used!
4. Mount the cord grip. The cord grip must be used!
5. Strip the cables and plug them in the connecting terminals according to the wiring diagram. The appliance must be earthed.
6. After successful electrical connection, fit the hood of the unit. Make sure not to jam any cables between the appliance hood and the base part of the appliance.

9. Initial Operation



Before making the electrical connection, fill the mains and the appliance with water by carefully opening and closing the hot water tap in order to vent completely. After every draining (e.g. after work on the plumbing system or following repairs to the appliance), the heater must be re-vented in this way before starting it up again.

If the water heater cannot be put into operation, the temperature cut-out or the pressure cut-out may have tripped during transport. If necessary, reset the cut-out.

Selection of power rating

Only by authorised specialist, otherwise lapse of guarantee!

Upon first connection of the appliance to the supply voltage, select the maximum power rating. Only after having set the power rating, the heater provides its standard operation mode.

The maximum allowable power rating at installation site depends on the local situation. It is imperative to observe all data shown in the table "Technical specifications", in particular the required cable size and fuse protection for the electrical connection. Moreover, the electrical installation must comply with the statutory regulations of the respective country and those of the local electricity supply company (Germany: DIN VDE 0100).

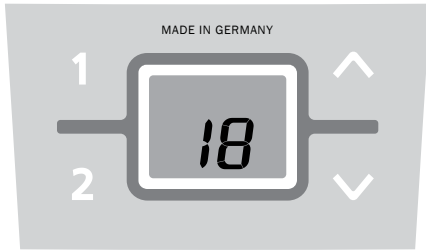
1. Switch on the power supply to the appliance. The digital display on the appliance must light up.
2. When switching on the supply voltage for the first time, the value "18" flashes in the display. If not, please carefully read the below note "Reinstallation".
3. Select the maximum allowable power rating depending on the local situation via the up \blacktriangle and down \blacktriangledown arrow keys: 18 or 21 kW.
4. Press key $\textcircled{1}$ to confirm the setting. The appliance starts operating.
5. Mark the set power rating on the rating plate.
6. Open the hot water tap. Check the function of the appliance.
7. After having set the maximum allowable power rating, the heating element will be activated after approx. 10 seconds of water flow.
8. Explain the user how the instantaneous water heater works and hand over the operating instructions.
9. Fill in the guarantee registration card and send it to the Customer Service or use the online registration.



Multiple Power System:

The rated capacity (max. power consumption) is 18kW / 400V and can be changed internally to 21 kW.

9. Initial Operation



Remote control

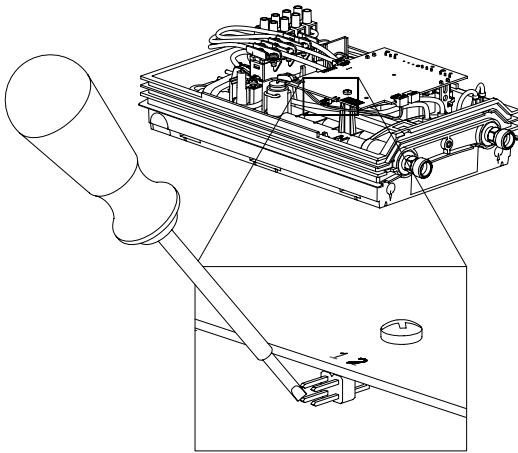
The water heater's temperature must be limited to 55 °C, if it is connected to a shower and controlled with a remote control system. The service menu parameter "Temperature Limit ("tL") must be set to a value less or equal 55 °C, in consultation with the customer and the lock level must be activated.

When the device is operated with preheated water, it must be ensured that this temperature is limited to 55 °C as well.

Reinstallation

In case the appliance will be commissioned again under different installation conditions than during its initial operation, it may be necessary to adapt the maximum power rating. A temporary short-circuit of the two pins, e.g. with a screwdriver acc. to EN 60900 (see figure), will reset all heater parameters to works setting and lock the heating.

Value "18" flashes in the display until the maximum power rating has been selected. This condition will maintain when activating and deactivating the supply voltage.



Lock Level

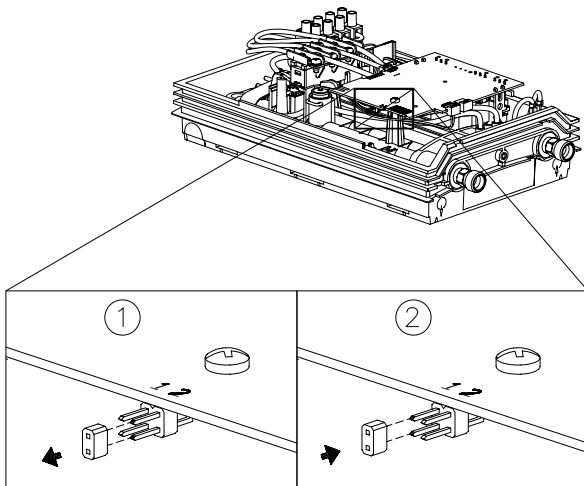
The operating mode of the appliance can be restricted. The service menu can be used to configure the appliance.

Activation of the lock level

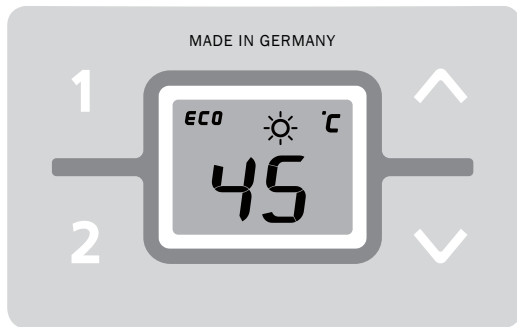
1. Set required lock level in the service menu (refer to chapter "Service menu" in this installing instructions).
2. Disconnect the appliance from the power supply (e.g. by switching off the fuses).
3. Move the jumper on the power electronics from pin 2 to pin 1 (see figure).
4. Put the appliance into operation again.

Deactivation of the lock level

1. Disconnect the appliance from the power supply (e.g. by switching off the fuses).
2. Move jumper from pin 1 to pin 2.
3. Put the appliance into operation again.



10. How to Use



As soon as you open the hot water tap, the instantaneous water heater switches on automatically. When the tap is closed, the appliance automatically switches off.

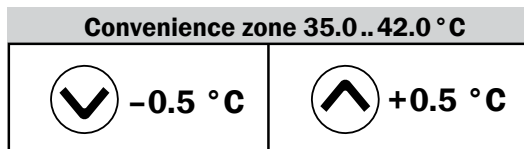
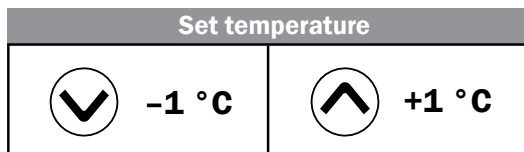
Temperature setting

You can set the required temperature gradually to a lower or higher value with the arrow keys \downarrow and \uparrow .

The temperature changes by 1 °C, in the convenience zone between 35 °C and 42 °C by 0.5 °C, if key is pressed shortly one time. Pressing a key for a longer time changes the temperature continuously.

Note: If temperature is set below 20 °C with arrow key \downarrow the display shows “-” and the appliance switches off the heating function.

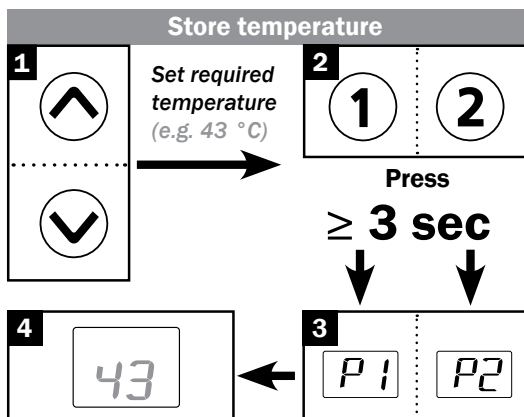
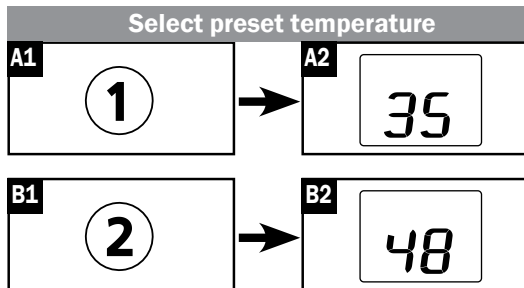
Note: If the water heater supplies a shower and is connected to a remote control system, the maximum temperature was reduced during initial operation. This limitation cannot be exceeded.



Programme buttons

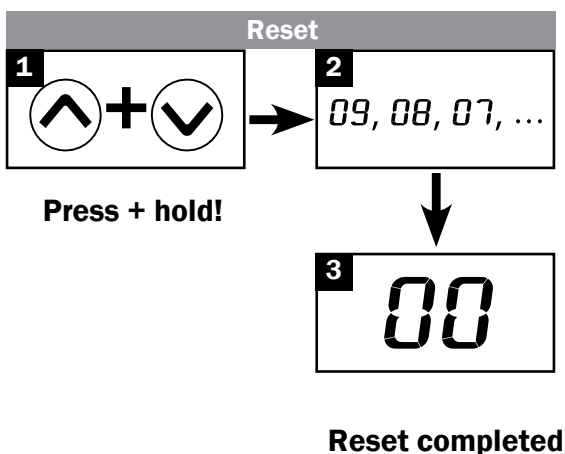
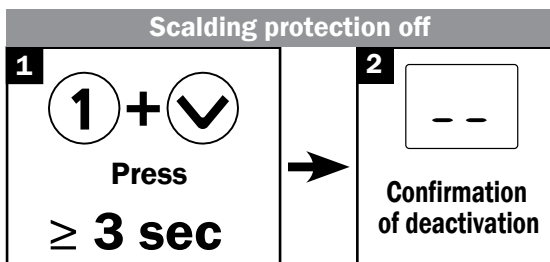
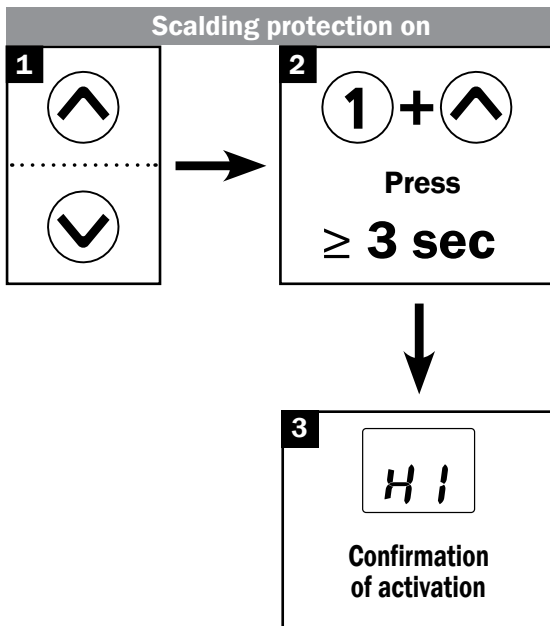
The two programme buttons allow to quickly select the preset temperature. When pressing a programme key, the preset temperature is selected and displayed. The factory setting for programme ① is 35 °C and for programme ② it is 48 °C. You can assign your own settings for the programme keys:

- Prolonged pressing of the programme key stores the previously selected temperature. The display changes from “P1” or “P2” to the newly stored temperature value. This newly set temperature is now available to you each time you press the corresponding program key.



Display of new value (e.g. 43 °C)

10. How to Use



Temperature limitation

This instantaneous water heater is equipped with an optional temperature limiting function. This scalding protection is deactivated in the factory setting.

- Switch on: Select the limit temperature, then press ① and simultaneously for at least 3 sec. The display briefly confirms the activation by "HI".
- Switch off: press program key ① and simultaneously for at least 3 sec. The display briefly confirms the deactivation by "--".

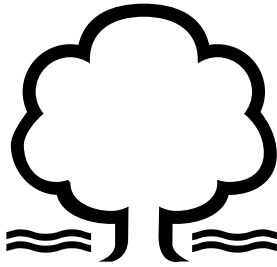
Note: By activation of the temperature limit also the programme keys are affected. Therefore, the fixed values of the programme keys must be checked after changing the temperature limitation.

Reset to factory setting

All factory settings can be recalled:

- Press and and simultaneously. The display now counts backwards from "10" to "00" in second intervals. The appliance is reset at value "00" - if you stop pressing the keys earlier, you will cancel the process.

10. How to Use



ECO mode

ECO

Power limit

MAX

Unit provides no output



How to save energy

Set the exact temperature you need on the appliance and open the hot water tap. Once you feel that the water is too hot, do not add any cold water and, instead, enter a lower temperature on the appliance. If you were to add cold water, the water already heated would cool down again and valuable energy would be wasted. Moreover, the cold water added in the tap is not covered by the control range of the electronic circuitry, with the result that temperature constancy is no longer guaranteed.


ECO mode

The symbol **ECO** shows that the appliance works in an energy saving mode (i.e. the momentary energy consumption is subject to the selected temperature and to the flow rate in the energy saving mode).

Power limit

If the full output of the instantaneous water heater does not suffice to heat the tapped quantity of water, this will be indicated by **MAX** on the LCD (e.g. in winter time, when opening several taps at once). When you reduce the hot water flow rate, **MAX** stops lighting because the output of the appliance is sufficient to reach the set temperature again. You can now use the full output to fill larger containers, for instance.

Operation with solar systems

When operating with solar systems, e.g. an automatic mixing tap must ensure that the maximum inlet temperature is not exceeded. If the inlet temperature exceeds the setpoint, the icon  on the digital display indicates that the heating power is switched off.

10. How to Use



Venting after maintenance work

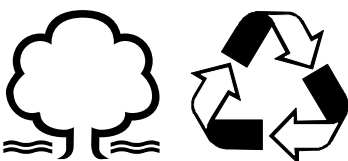
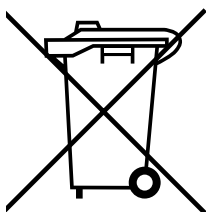
This instantaneous water heater features an automatic air bubble protection to prevent it from inadvertently running dry. Nevertheless, the appliance must be vented before using it for the first time. Each time the appliance is emptied (e.g. after work on the plumbing system, if there is a risk of frost or following repair work), the appliance must be re-vented before it is used again.

1. Disconnect the instantaneous water heater from the mains (e.g. via deactivating the fuses).
2. Unscrew the jet regulator on the outlet fitting and open the cold water tap valve to rinse out the water pipe and avoid contaminating the appliance or the jet regulator.
3. Open and close the hot water tap until no more air emerges from the pipe and all air has been eliminated from the water heater.
4. Only then should you re-connect the power supply again (e.g. via activating the fuses) to the instantaneous water heater and screw the jet regulator back in.
5. The appliance activates the heater after approx. 10 seconds of continuous water flow.

Cleaning and maintenance

- Plastic surfaces and fittings should only be wiped with a damp cloth. Do not use abrasive or chlorine-based cleaning agents or solvents.
- For a good water supply, the outlet fittings (special tap aerators and shower heads) should be unscrewed and cleaned at regular intervals. Every three years, the electrical and plumbing components should be inspected by an authorised professional in order to ensure proper functioning and operational safety at all times.

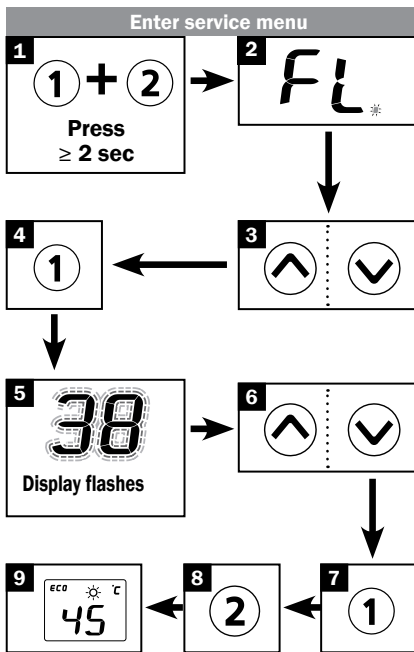
11. Environment and Recycling



Your product was manufactured from high-quality, reusable materials and components. Please respect in case of discarding that electrical devices should be disposed of separately from household waste at the end of their service life. Therefore, please take this device to a municipal collection point that accepts electronic scrap. Disposing it correctly will support environmental protection and will prevent any potential negative effects on human beings and the environment that could arise from inappropriate handling of these devices at the end of their service life. Please contact your local authority for further details of your nearest designated collection point or recycling site.

Business customers: If you wish to discard electronic equipment, please contact your dealer or supplier for further information.

12. Service Menu



The service menu offers an overview of system parameters and is used for diagnostics.

Press key ① and key ② simultaneously for at least 2 seconds to call up the service menu, the display confirms by “FL” and by a flashing point. Using the arrow keys ⬆ and ⬇, you can switch between the individual menu items.

Press key ① to see the value of the currently selected menu. The value flashes in the display. (The values of some menus can be switched over by using the arrow keys ⬆ and ⬇.) You will get back to the drop-down-menu when pressing key ① again. With key ② you will get back to the standard display (nominal value). After two minutes without any key stroke the system automatically switches back to the standard display.

Individual menu items as follows:

“FL”: Flow

Indication of current flow rate given in l/min.

“Po”: Power

Indication of current power consumption (kW).

“t1”: Temp in

Indication of inlet temperature (°C).

“t2”: Temp out

Indication of outlet temperature (°C).

“CA”: Control value

Indication of calibration value of the control system. Regular range: 40 – 60.

“PL”: Power limit

Indication of the current maximum power rating (kW) of the appliance.

“Er”: Diagnostics

Indication of the last ten diagnostic messages.

The error code is indicated by the first displayed value after pressing key ① (refer to “Abstract for Trouble-Shooting & Diagnostics” in the hood). By using the arrow keys ⬆ and ⬇ the last 10 error codes are displayed chronologically. Thereby the display indicates in turns the error numbers from “0” to “9” and the corresponding error. The last error will be recorded at position “0” and the former ones each shifted 1 position backwards.

“LL”: Lock level

The operating mode of the appliance can be restricted.

Setting Options:

“0” no restriction (factory setting)

“1” factory reset via key (countdown) not possible, parameters can be seen, but not be modified in setup menu

“2” same as “1”, additionally the setup menu cannot be opened

“3” same as “2” additionally nominal value memory 1 and 2 not changeable

“4” same as “3”, additionally nominal value not changeable

Note: When the setting 1, 2, 3 or 4 was chosen, the system parameters can no longer be modified in the service menu.


In order to modify these system parameters, it is necessary to remove the jumper on the power electronics, as specified in the chapter “Deactivation of the lock level”.

Menu item order of “Service menu“:

	FL	Flow
	Po	Power
	t1	Temp in
	t2	Temp out
⬆	CA	Control value
	PL	Power limit
	Er	Diagnostics
⬇	LL	Lock level
	rv	Software version
	ch	Radio channel
	rS	Received strength
	tL	Temperature limit
	lIC	Signal

12. Service Menu

Menu item order of "Service menu":



<i>FL</i>	<i>Flow</i>
<i>PO</i>	<i>Power</i>
<i>t1</i>	<i>Temp in</i>
<i>t2</i>	<i>Temp out</i>
<i>[A</i>	<i>Control value</i>
<i>PL</i>	<i>Power limit</i>
<i>Er</i>	<i>Diagnostics</i>
<i>LL</i>	<i>Lock level</i>
<i>nr</i>	<i>Software version</i>
<i>[h</i>	<i>Radio channel</i>
<i>rS</i>	<i>Received strength</i>
<i>tL</i>	<i>Temperature limit</i>
<i> C</i>	<i>Signal</i>

"nr": Software version

Information about installed software version.

"Ch": Radio channel

(with wireless module only)

Information about the current radio channel of the water heater and its remote control.

"rS": Received strength

(with wireless module only)

Information about the current signal quality of the remote control as percentage. Depending on the distance between remote control and water heater the value varies between 10% and 100%.

"tL": Temperature limit

The maximum setable temperature can be reduced to any value within the temperature limit.

The Lock Level must be activated by placing the jumper to enable the limitation.

"||C": Signal

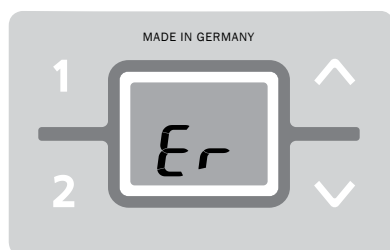
Information about the quality of the radio contact when a diagnostic display is connected.

13. Trouble-shooting and Service



Repairs must only be carried out by authorised professionals.

If a fault in your appliance cannot be rectified with the aid of this table, please contact the service organisation of your importer or the Central Customer Service Department. Please have the details of the typeplate at hand.



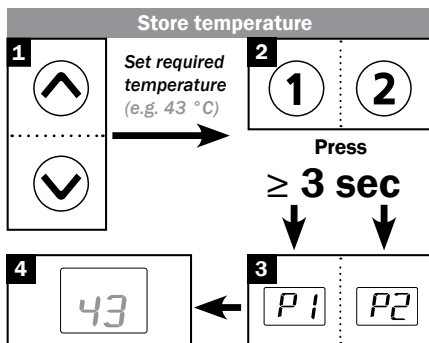
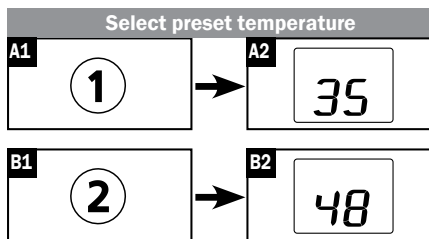
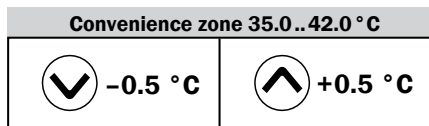
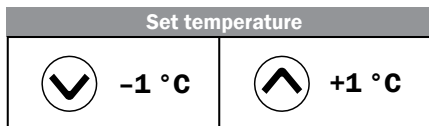
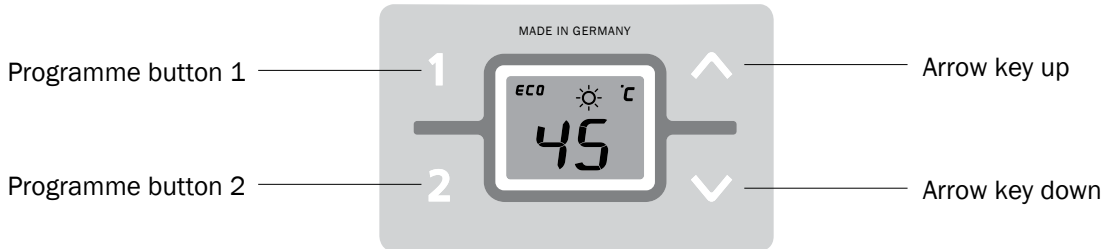
This instantaneous water heater was manufactured conscientiously and checked several times before delivery. Should malfunctions nevertheless occur, it is usually only due to a bagatelle. First attempt to switch the house fuses off and on again in order to reset the electronics. Next, try to remedy the problem with reference to the following table. In doing so, you will avoid unnecessary expense of customer service assistance.

Problem	Cause	Solution
Water stays cold, digital display does not light up	Master fuse tripped	Renew or activate fuse
	Safety pressure cut-out tripped	Contact customer service
Water stays cold, digital display does light up	Safety thermal cut-out tripped	Contact customer service
Display flashes error message "Er"	Control system has switched off	Switch fuse off and on. If "Er" still flashes contact customer service
Flow rate of hot water too weak	Outlet fitting dirty or calcified	Clean shower head, jet regulator or sieves
	Fine filter dirty or calcified	Let clean fine filter by a specialist
Selected temperature is not reached, "MAX" lights	Water flow rate too high	Reduce water flow rate at the tap
Selected temp. is not reached, "MAX" does not light	Cold water has been added via the tap	Tap hot water only; set temperature for use
Symbol "sun" lights up	Inlet temperature exceeding nominal temperature	Reduce inlet temperature
Appliance heats, the display does not light	Display plug not properly connected	Let fix correct position of display plug by customer service

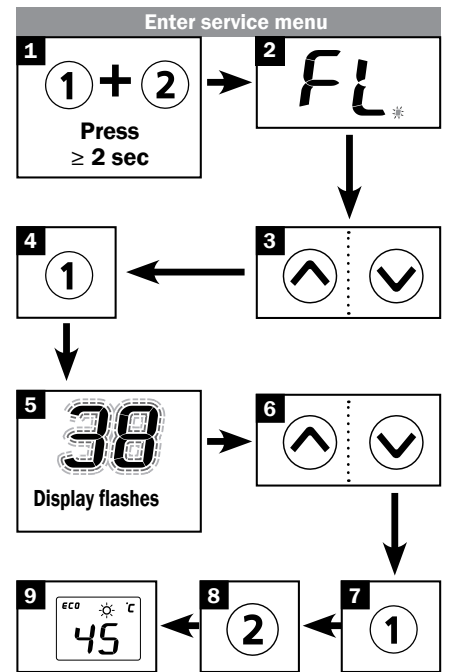
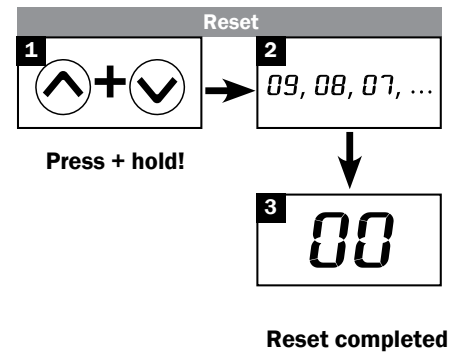
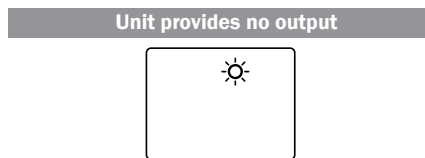
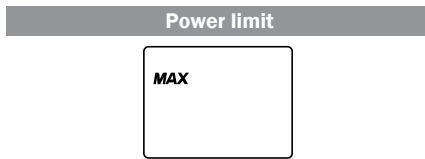
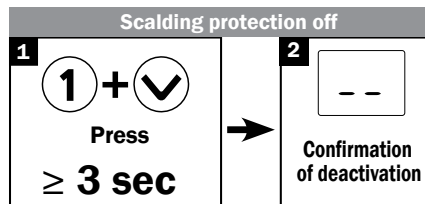
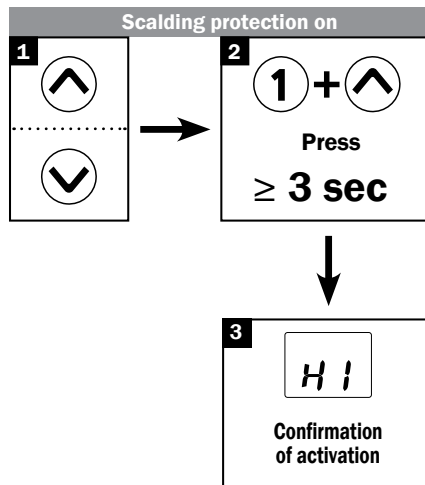
If the connection cable is damaged, it must be replaced with an original spare cable from the manufacturer by an authorised technician in order to avoid any hazards.

If you cannot rectify the fault with the aid of the troubleshooting table, please contact the customer service.

Quick reference guide

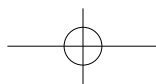
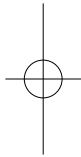
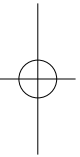


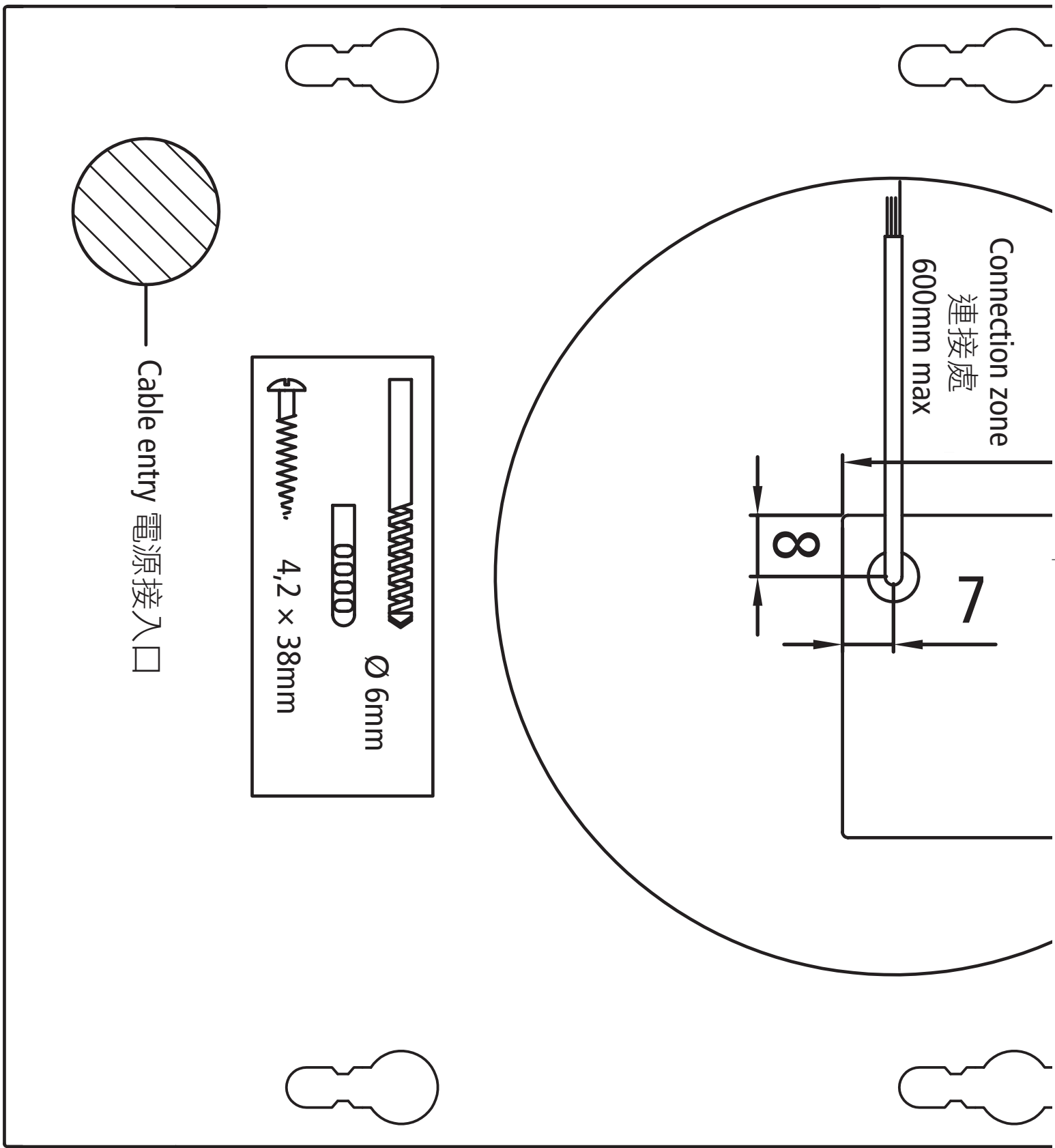
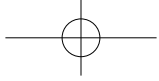
Display of new value (e.g. 43 °C)

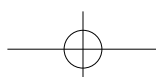
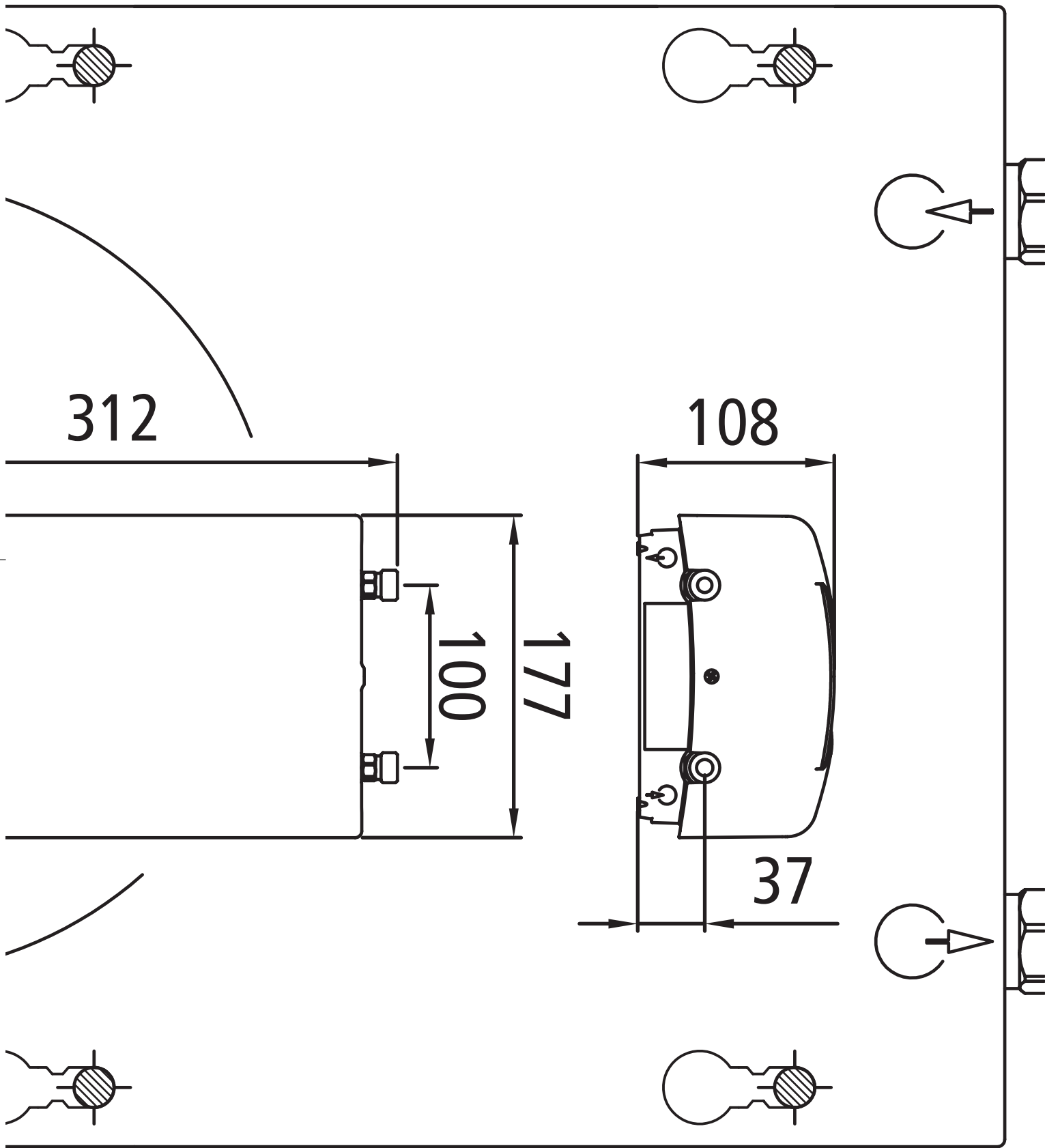


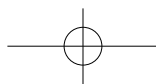
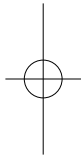
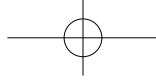
目錄

1. 概述	21
2. 安全說明	22
3. 熱水器說明	22
4. 技術規格	23
5. 尺寸	24
6. 典型安裝	24
7. 安裝	25
安裝地點	26
安裝熱水器	26
8. 電氣連接	27
接線圖	27
結構前提	27
於固定位置的電氣連接	27
9. 初始操作	28
額定功率選擇	28
遙控	29
重新安裝	29
功能許可權	29
10. 使用方法	30
溫度設定	30
程式按鈕	30
溫度限制	31
恢復出廠設置	31
節能方法	32
ECO模式	32
功率極限	32
相容太陽能系統	32
保養工作後的排空	33
清潔保養	33
11. 環境和回收利用	33
12. 服務功能表	34
13. 故障檢修	36
快速指南	37



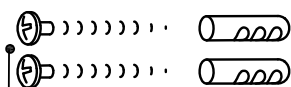
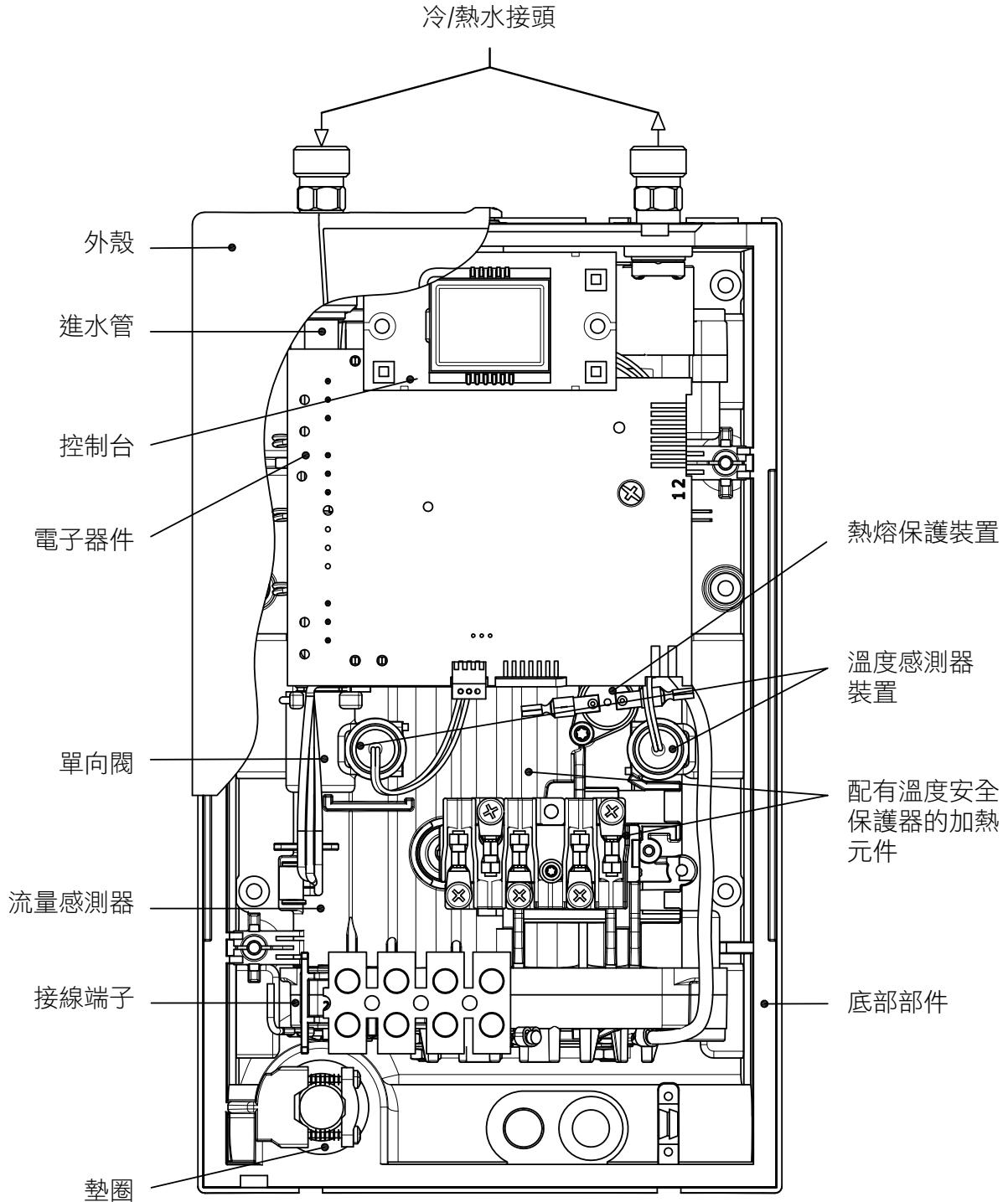






1. 概述

訂購零部件時，務請說明熱水器型號和序列號。



螺絲和銷子

2. 安全說明



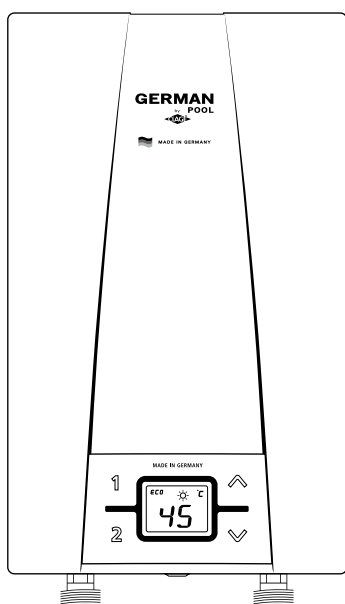
安裝或使用設備前請仔細閱讀本操作指引，並妥為保存。

安裝指引為合資格的設備安裝技師所用。操作指引為終端客戶所用。

用戶可登錄 www.germanpool.com 獲得最新的操作指引。

- 使用本款熱水器之前須確保其安裝正確且處於良好工作狀態。
- 本款熱水器僅可在家庭和封閉、無霜的房間使用，僅可用於加熱統一供應的飲用水。
- 本款熱水器禁止暴露於霜凍環境中。
- 本款熱水器須始終接地。
- 切斷總電源之前，任何情況下切勿拆下前蓋。
- 勿對熱水器、電路導線及水管進行技術改造。
- 請注意：水溫超過43°C即被視為熱水，對兒童而言尤其如此，使用者可產生灼傷感。熱水器使用一段時間後，配件和龍頭均可能過熱。
- 凡在有適當監督或指導下，8歲或以上兒童及身體、感官或心理障礙者或經歷及知識不足者，亦可使用本款熱水器。應對兒童進行妥善照管，避免其隨意觸碰熱水器。
- 禁止兒童在未經適當監督的情況下清潔或保養設備。
- 請仔細閱讀銘牌上的資訊。
- 若發生故障，立即斷開保險絲。若發生滲漏，立即切斷冷水供應。只有客戶服務部和經認可的專業人員方可進行維修。

3. 熱水器說明







即熱式電熱水器CEX21/CEX21-U由微處理器控制，為耐壓設計，分散提供熱水，可接多個龍頭。

熱水器的電子控制裝置可根據所選擇的出水口溫度、進水口溫度以及流速調節功耗，因此可精確達到設定溫度，並可在壓力波動的情況下保持恒溫。用戶可通過鍵盤輸入所需出水溫度，設定數值將顯示於顯示幕上。

最高入水溫度可達70°C，因此設備可相容太陽能加熱系統。

4. 技術規格

型號	CEX21 ELECTRONIC MPS® / CEX21-U ELECTRONIC MPS®	
歐盟能源效益標籤	A *)	
額定功率 / 額定電流	18 / 21 kW (26 / 30 A)	
選擇功率 (選擇電流)	18kW (26A)	21kW (30A)
電氣連接	3 / PE 380..415V AC	
所需最小電線尺寸	4 mm ²	4 mm ²
熱水 (公升/分鐘) 最大值 Δt = 33K	7.8	9.1 ¹⁾
額定容量	0.3 l	
類型	1.2MPa (10 bar) 壓力類型	
加熱系統	明線加熱系統 IES®	
水溫為15°C時的比電阻 導電性	≥ 1000 Ω cm ≤ 100 mS/m	
出水口溫度	≤ 70°C	
啟動流速 - 最高流速	2.0 - 8.0 l/min ²⁾	
壓力損耗	0.2 bar : 2.5 l/min 1.3 bar : 9.0 l/min ³⁾	
溫度選擇	20 - 60°C	
水管接頭	G½"	
重量 (裝滿水後)	2.7kg	
VDE防護等級	I	
防護 / 安全類型	   IP25 ⁴⁾ 	

*) 報告內容根據歐盟第812/2013規章編繪

1) 混合水

2) 根據最佳溫升調節水流量

3) 無流量調節器

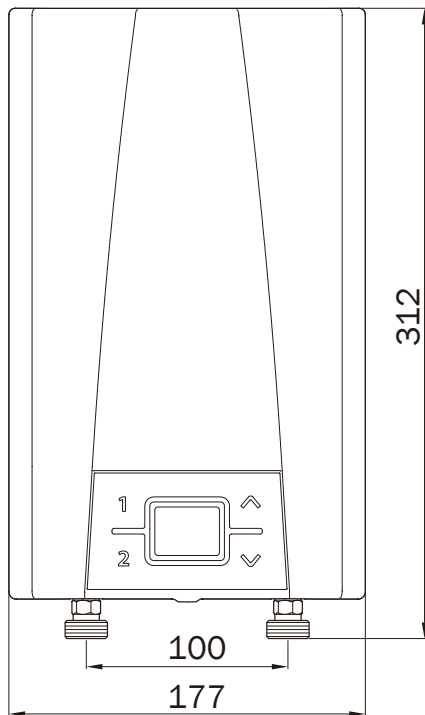
4) CEX21-U之防護類型為IP24

- 產品規格及設計如有變更，恕不另行通知。

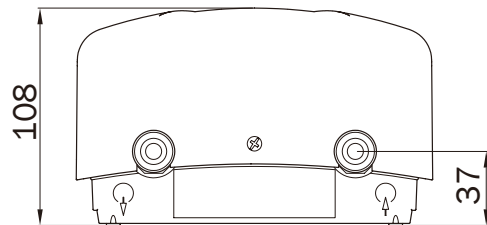
- 中英文版本如有出入，一概以英文版為準。

- 本產品使用說明書以 www.germanpool.com 網上版為最新版本。

5. 尺寸



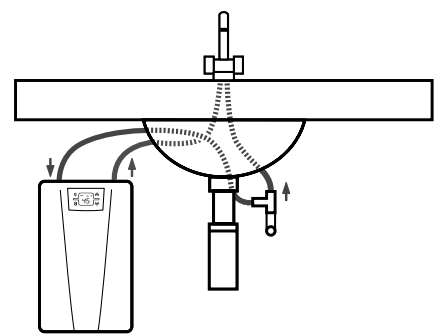
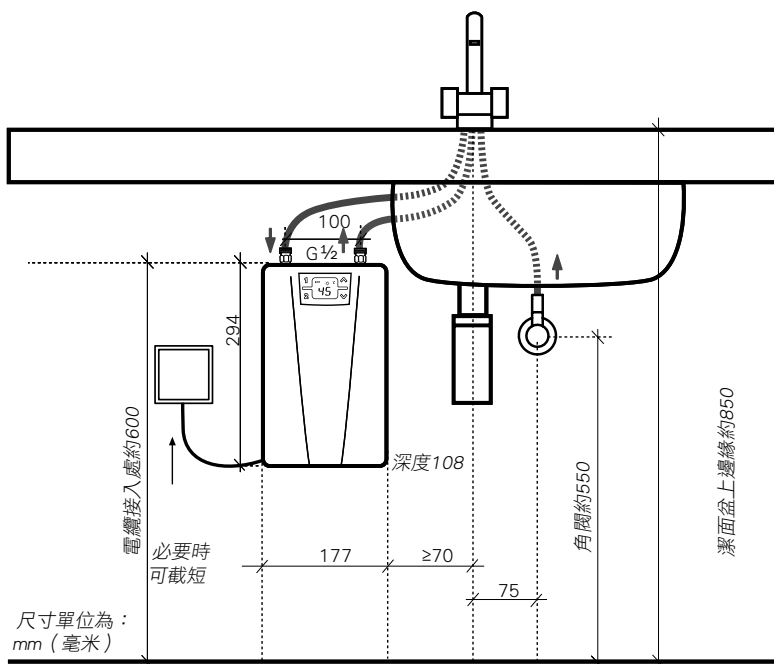
尺寸單位為：mm（毫米）



6. 典型安裝

配備專用龍頭敞流式安裝示例

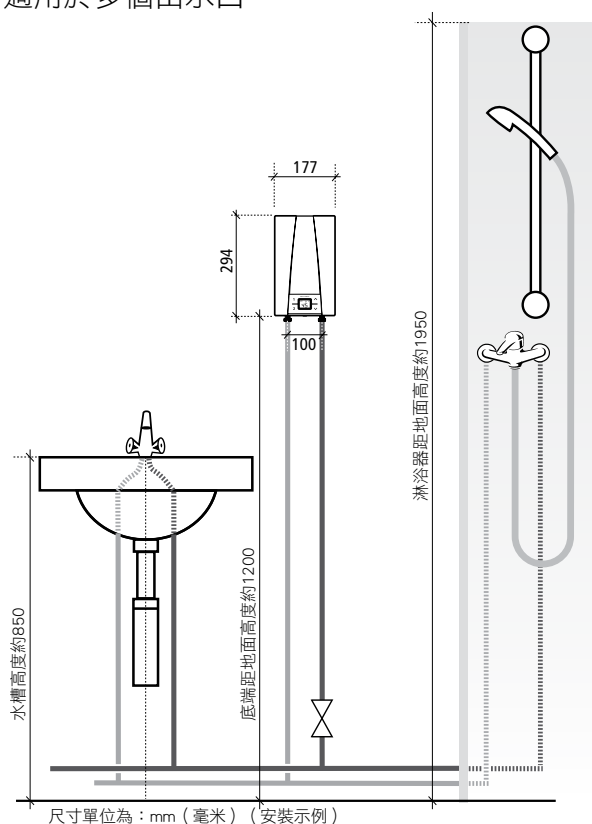
封閉式出水管安裝示例



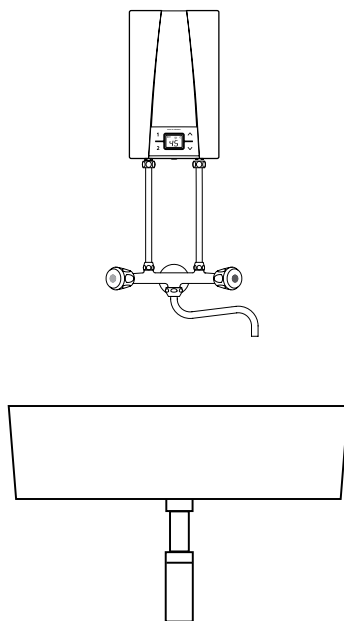
尺寸單位為：
mm（毫米）

6. 典型安裝

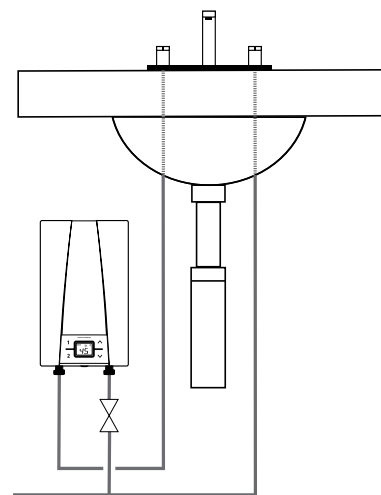
CEX21直接連接：
適用於多個出水口



CEX21掛壁式混合型
熱水器：適用於單個
水槽



直接連接：
適用於單個水槽



7. 安裝

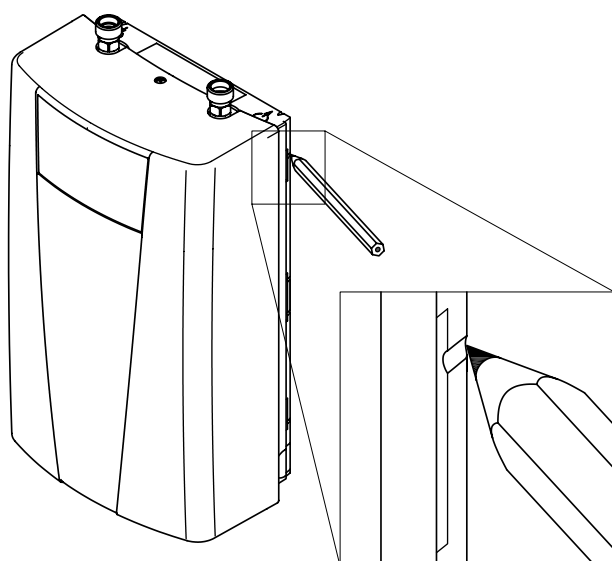
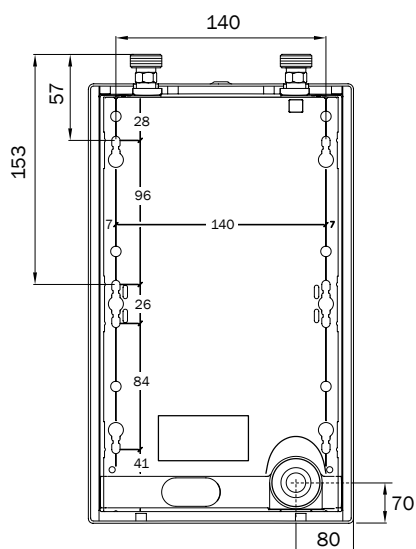
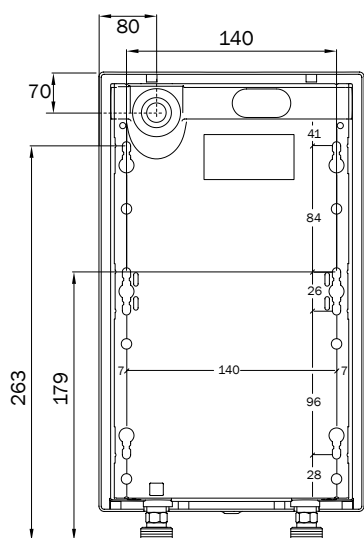
必須遵守以下規定：

- EN 806
- 安裝期間須遵守所有相關法規以及當地供電和供水公司規定
- 銘牌及技術規格
- 請務必使用完好並適當的工具

安裝地點

- 熱水器僅可安裝在無霜房間內。禁止將熱水器暴露於結霜環境中。
- 本電熱水器適宜安裝于水槽下方，且水管接頭必須朝上。
- 熱水器符合保護類型IP24規定。
- 為避免出現熱損失，應儘量縮短即熱式電熱水器與觸點之間的距離。
- 為了便於進行維護保養工作，應在供水管線內安裝切斷閥。熱水器須便於進行維護保養工作。
- 可使用銅制或鋼制連接管。若使用塑膠管，必須符合德國工業標準 (DIN)16893，2系列要求。熱水管須為保溫設計。
- 水的比電阻在15°C時最低須達1000 Ω cm。可向您所在地區的供水公司諮詢電阻率數值。

7. 安裝

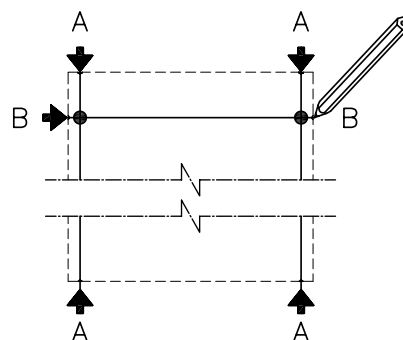


安裝熱水器

1. 安裝前徹底清洗供水管，清除管內汙物。
2. 將熱水器貼牆放置，標注頂部和底部以及左右兩邊的鑽孔線，與熱水器防護罩邊緣的小孔對應（參見下圖）。對齊樣板（本手冊封底內頁）可用於校準熱水器位置。
3. 垂直連接頂部和底部標記（A-A）。
4. 水準連接左右兩邊標記（B-B）。
5. 鑽孔線的交叉點為鑽孔點。
6. 使用6mm鑽孔器鑽孔。插入銷子和螺絲。螺絲須伸出5mm。
7. 將熱水器放入後掛開孔，然後將其滑入設定位置。

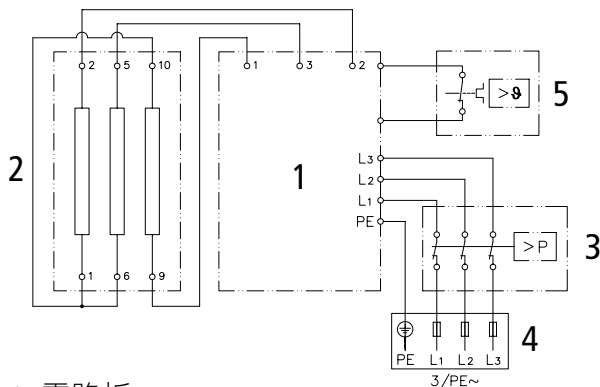
安裝熱水器

1. 在熱水器水管接頭處安裝連接水管。使用1/2英寸密封墊。
2. 開關熱水龍頭，直至水管內無空氣逸出且熱水器排出所有空氣。

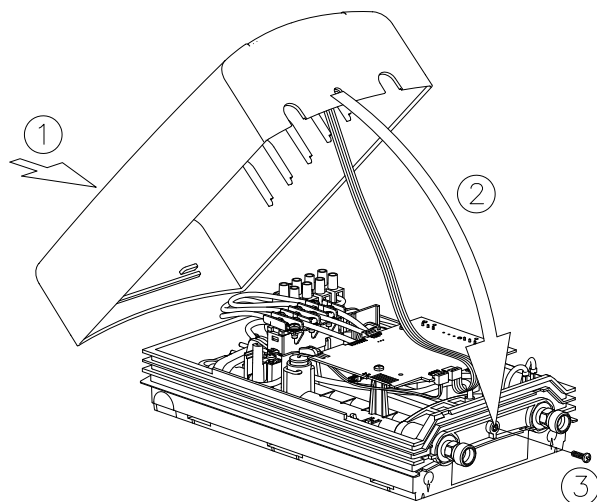
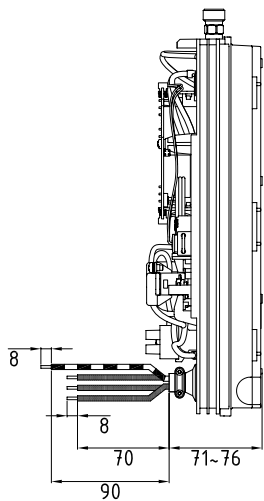


8. 電氣連接

接線圖



1. 電路板
2. 加熱元件
3. 壓力保護裝置
4. 接線盒
5. 熱熔保護裝置



僅專業人員方可操作！請注意：

- VDE 0100
- 安裝過程須遵守國際電工委員會或國家地方現行法規以及當地供電公司的相關規定。
- 遵守銘牌和技術規格
- 裝置必須接地！

結構前提

- 必須通過永久連接裝置安裝熱水器。熱水器必須接地！請使用最大尺寸電纜：10 mm²。
- 不可損壞電線。安裝完成後，電纜需佈置妥當，避免直接接觸。
- 安裝結束時，應提供全極斷開裝置（例如通過保險絲），每極接觸開孔寬度須超過3mm。
- 為保護熱水器，須安裝保險絲，其脫扣電流應等於熱水器額定電流。

電氣連接：

請在電氣連接之前檢查電源是否關斷！

採用預先安裝電纜的電氣連接

熱水器通過預先安裝電纜連線至終端盒。如果必要，請使用三個預定中斷點的一個用於電纜引入裝置（右、左或下）。

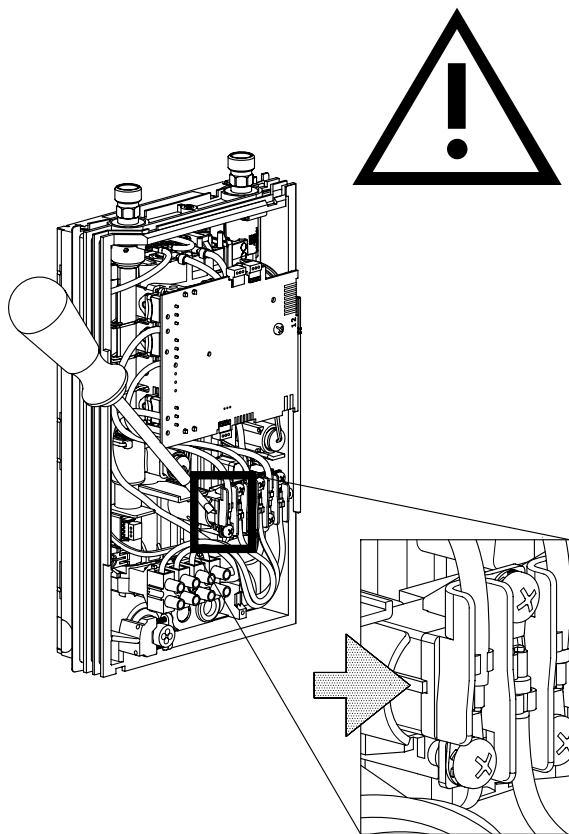
其他選擇：

利用永久連接進行電氣安裝

若受安裝環境限制，設備僅可永久連接時，請按下述步驟進行：

1. 去掉電源線表皮。
2. 去掉電源線表皮，將帶有鍍層的電源線通過防濺式保護套管插入熱水器的線纜接頭。
3. 將電源線通過防濺式保護套管插入熱水器，將電源線鍍層與線纜接頭安全固定。如有必要，採用三個預留中斷點之一（分別設在左邊、右邊及底部）作為線纜接入端。保護套管可防止水順著連接線進入熱水器。必須使用保護套管！
4. 安裝線纜接頭。必須使用線纜接頭！
5. 對電線進行絕緣處理，參照接線圖將電線插入接線端子。熱水器必須接地。
6. 成功進行電氣連接後，安裝設備防護罩。確保勿將任何連接線卡在熱水器防護罩與基座之間。

9. 初始操作



進行電氣連接前，小心開關熱水龍頭，向總水管和熱水器注水，使其徹底排空。每次排水後（例如維護管道系統或修理熱水器之後），必須採用該方法將熱水器重新排空後方可再次啟動。

電熱水器可能因在運輸過程中溫度保護或壓力保護跳閘，導致不能正常啟動。必要時，可重定溫度或壓力保護。

額定功率選擇

僅經認可的專業人員方可操作，否則安全保證失效!

首次將熱水器連接電源電壓後，請選擇最大額定功率。設定額定功率後，熱水器的標準操作模式方可使用。

安裝地點可允許的最大額定功率取決於現場情況。必須遵守“技術規格”表中的所有資料規定，尤其是電氣連接要求達到的電線尺寸和熔斷保護相關資料。此外，進行電氣安裝工作期間必須遵守所在國家和當地供電公司的相關法規（德國：DIN VDE 0100）。

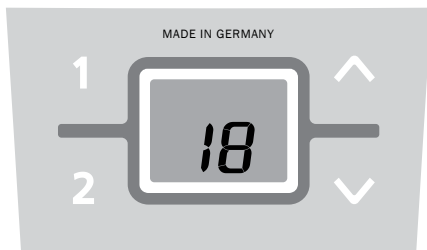
1. 打開熱水器電源。須確保熱水器的數字顯示器點亮。
2. 首次打開電源電壓後，顯示器閃爍數值“18”。否則，請認真閱讀以下“重新安裝”說明。
3. 根據當地情況，使用 \odot 和 \checkmark 按鍵選擇可允許的最大額定功率：18或21kW。
4. 按下按鍵 $\textcircled{1}$ ，確認設置。熱水器開始運行。
5. 在銘牌上標注已設定的額定功率。
6. 打開熱水龍頭。檢查熱水器功能。
7. 設定可允許的最大額定功率。水流約10秒鐘後，加熱元件將被啟動。
8. 向用戶介紹即熱式熱水器的使用方法並提供操作說明書。
9. 填寫登記保修卡並送到客戶服務中心，或者進行網上登記。



多電源系統：

額定容量（最大功耗）為
18kW/400V，可降至21kW。

9. 初始操作



遙控

熱水器應用於淋浴且由遠端控制系統控制時，溫度最高不得超過55°C。手冊上“溫度範圍”參數應設定應不超過55°C，且必須鎖定，詳情可諮詢客服中心。

當待加熱的水已被預熱，請確保入水口的水溫低於55°C。

重新安裝

除首次運行外，熱水器在不同安裝環境中可能重新啟動。在此情況下，可能需要改變最大額定功率。兩個引腳之間短時短路（例如使用螺絲刀按照EN60900）會使熱水器所有工作參數復位並鎖定加熱。

顯示器閃爍數值“18”，直至選擇最大額定功率。該狀況在啟動和關閉電源電壓期間保持不變。

功能許可權

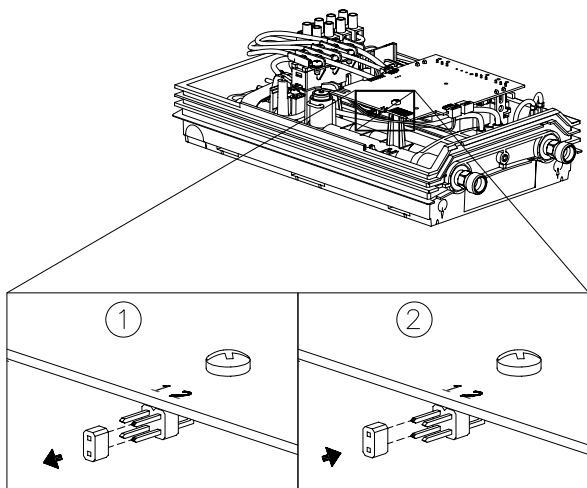
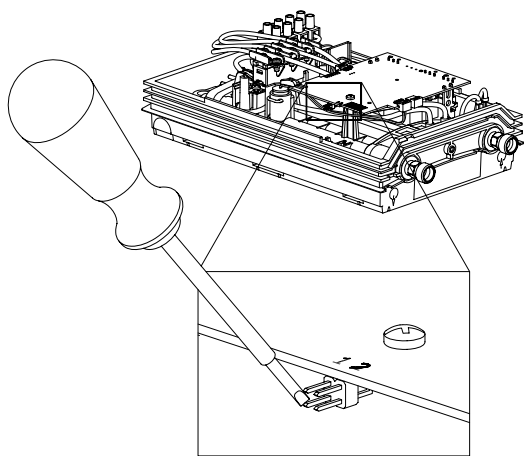
熱水器運行模式可能受限。可使用服務功能表安裝熱水器。

功能許可權啟動

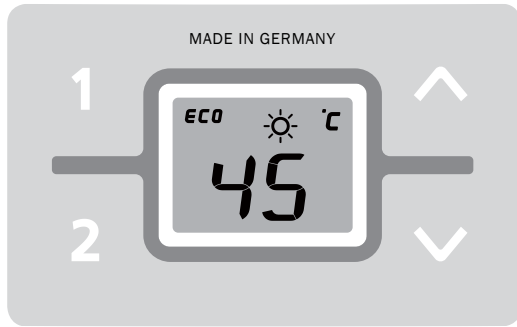
1. 確定服務功能表中的所需功能許可權（參見本安裝說明書中的“服務功能表”章節）。
2. 切斷熱水器電源（例如斷開保險絲）。
3. 將供電電路上的跳線從引腳1切換至引腳2（參見示意圖）。
4. 重新運行熱水器。

功能許可權取消

1. 切斷熱水器電源（例如通過斷開保險絲）。
2. 將跳線從引腳1切換至引腳2。
3. 重新運行熱水器。



10. 使用方法



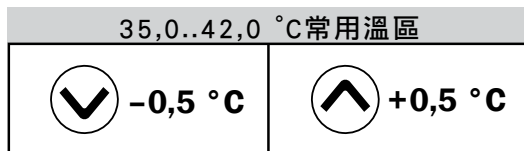
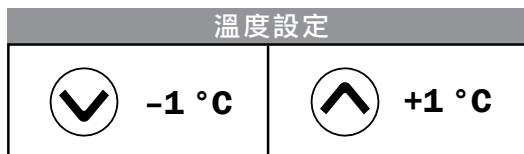
打開熱水龍頭後，即熱式電熱水器自動啟動。關閉龍頭後，熱水器自動關閉。

溫度設定

您可使用 和 按鍵逐漸調低或調高所需溫度。溫度每次變化1°C，在35°C和42°C之間的常用溫區，若快速按鍵，溫度可變化0.5°C。延長按鍵時間可連續改變溫度。

說明：若使用 按鍵將溫度設在20°C以下，顯示器將顯示“_ _”，熱水器將關閉加熱功能。

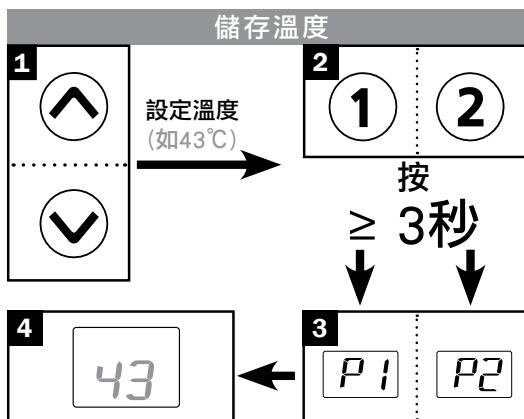
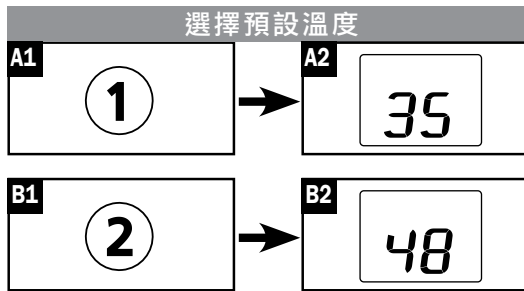
說明：熱水器應用於淋浴且由遠端控制系統控制時，啟動操作時，最高溫度值降低。不能超過溫度範圍。



程式按鈕

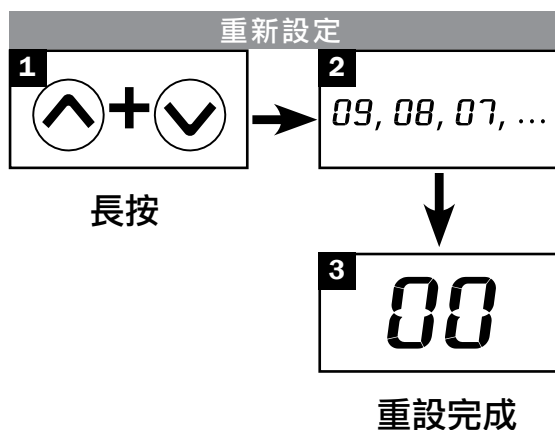
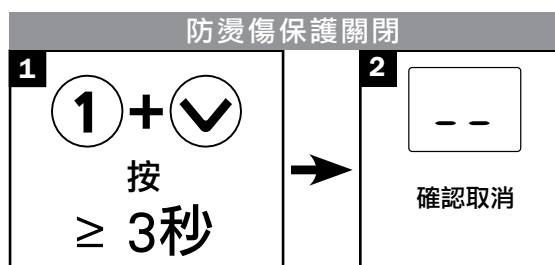
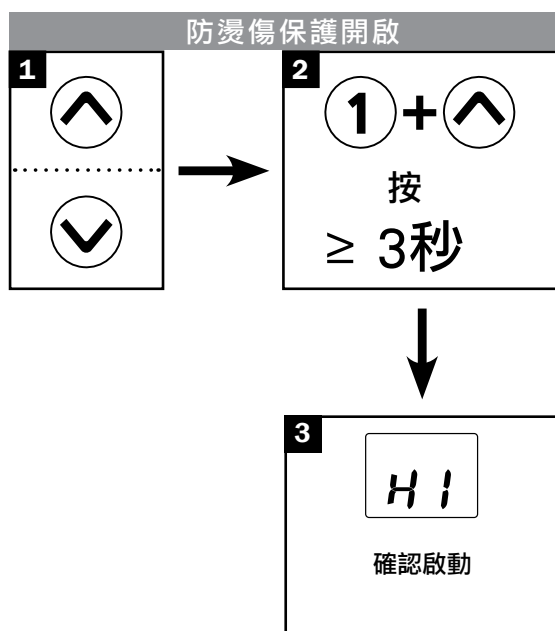
可使用兩個程式按鈕快速選擇預設溫度。按下程式鍵後，即選擇並顯示預設溫度。程式①和程式②的出廠設定值分別為35°C和48°C。您可使用程式鍵自行設定。

- 長時間按下程式鍵可儲存以往選擇的溫度。顯示值從“P1”或“P2”變為新儲存的溫度值。現在，您每次按下相應程式鍵後即可獲得新設定的溫度。



顯示新設定數值 (如43°C)

10. 使用方法



溫度限制

本款即熱式電熱水器設有可選溫度限制功能。防燙傷保護功能已在出廠設置中取消。

- 啟動：選擇極限溫度。同時按下程式鍵 ① 和 ⬆ 至少3秒鐘。顯示器即刻以“HI”確認啟動。
- 關閉：同時按下程式鍵 ① 和 ⬇ 至少3秒鐘。顯示器即刻以“_ _”確認取消。

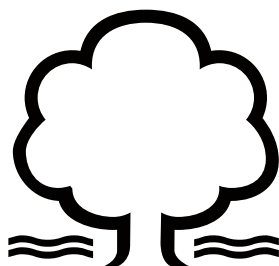
說明：啟動溫度限值會對程式鍵構成影響。因此，改變溫度限值後必須檢查程式鍵的固定值。

恢復出廠設置

所有出廠設置均可恢復：

- 同時按下 ⬇ 和 ⬆。現在，顯示器從“10”倒數至“00”，逐秒遞減。熱水器重設值為“00”——提前終止按鍵將取消該過程。

10. 使用方法



ECO 模式

ECO

功率極限

MAX

無輸出單元



節能方法

設定您需要的熱水器準確溫度，打開熱水龍頭。若感到水溫過熱，切勿添加冷水，而應降低熱水器溫度。若添加冷水，已加熱的水會重新冷卻，導致浪費寶貴能源。此外，在水龍頭中添加冷水將造成電子電路控制失效，從而導致無法保證溫度恒定。

標誌表示熱水器以節能模式工作（即短時能耗由節能模式下的選定溫度和流速決定）。


ECO 模式

ECO 標誌表示熱水器以節能模式工作（即短時能耗由節能模式下的選定溫度和流速決定）。

功率極限

若即熱式電熱水器在全功率運行的情況下不足以將水加熱至所需溫度，顯示器將顯示 **MAX**（例如，冬季一次性打開多個水龍頭的情況）。此時，可通過降低水龍頭的熱水流速調節。降低流速後，顯示燈熄滅，設備恢復，可有效提供所需出水溫度。此時，用戶可提高水龍頭流速。

相容太陽能系統

與太陽能系統一同使用時，例如使用自動混合龍頭，需保證不能超過最高入水溫度。入水溫度高於設定值時，顯示幕顯示圖示 ，表示加熱系統已關閉。

10. 使用方法



保養工作後的排空

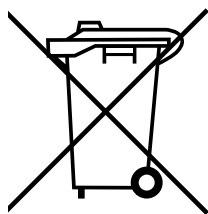
本款即熱式電熱水器設有自動氣泡保護裝置，可防止由於疏忽造成幹燒現象。然而，必須在首次使用前排空熱水器。每次排空熱水器後（例如由於維修管道系統、存在霜凍風險或進行維修後），須在再次使用前重新排空熱水器。

1. 關閉即熱式電熱水器的總電源（例：通過斷開保險絲）。
2. 卸下出水口配件上射流調節器的螺絲，打開冷水龍頭閥門，將水管沖洗乾淨，避免污染熱水器和射流調節器。
3. 打開並關閉熱水龍頭，直至水管內無空氣逸出且熱水器排出所有空氣。
4. 此後方可將即熱式電熱水器重新接通電源（例：通過啟動保險絲）並擰上射流調節器的螺絲。
5. 水流持續約10秒後，熱水器啟動。

清潔保養

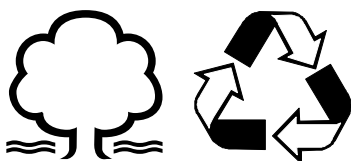
- 塑膠表面和配件僅可用濕布擦拭。請勿使用腐蝕性或含氯清潔劑。
- 為確保穩定供水，應定期卸下出水口配件（噴流調節器和噴頭）的螺絲並清洗配件。電氣和管道部件應由經認可的專業人員每三年檢查一次，以此確保始終正常工作和運行安全。

11. 環境和回收利用

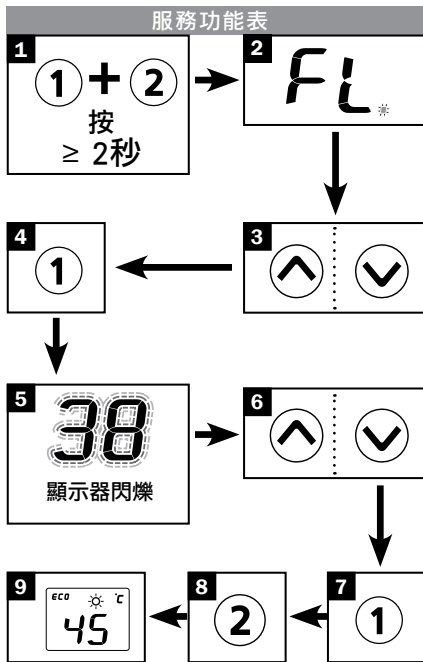


我司產品均採用優質、可回收利用的物料或零件。丟棄電子設備時應與生活垃圾分類處置，應將其運送至接收電子廢物的收集點進行處理。有效分類有利於保護環境，可避免因電子產品的棄置不當而對人類或環境造成不利影響。用戶可聯繫當地政府獲得附近收集點或回收點的相關資訊。

對於商業用戶，棄置電子產品前可聯繫您的經銷商或供應商獲得詳細資訊。



12. 服務功能表



“服務功能表” 條目順序

↑	FL	流量
↑	PO	功率
↑	t1	進水口溫度
↑	t2	出水口溫度
↑	[A]	控制值
↑	PL	功率極限
↑	Er	診斷
↓	LL	功能許可權
↓	rr	軟件版本
↓	[h]	無線通道
↓	rS	接收強度
↓	tL	溫度範圍
↓	lIC	信號

服務功能表列有系統參數，供診斷期間使用。

同時按下按鍵 ① 和按鍵 ② 至少2秒鐘調用服務功能表，顯示器以“FL”和閃點形式確認啟動。使用按鍵 ▲ 和 ▼ 在不同功能表之間切換。

按下按鍵，觀察當前所選菜單數值。顯示器閃爍數值 ① (可使用按鍵 ▲ 和 ▼ 切換至某些菜單的數值)。再次按下按鍵 ① 後可回到下拉菜單。按下按鍵 ② 可回到標準顯示狀態 (標稱值)。若兩分鐘內未按下任何按鍵，系統將自動切換回標準顯示狀態。

菜單條目如下：

“FL”：流量

顯示當前流速，單位：升/分鐘。

“Po”：功率

顯示當前功耗 (kW)。

“t1”：進水口溫度

顯示進水口溫度 (°C)。

“t2”：出水口溫度

顯示出水口溫度 (°C)。

“CA”：控制值

顯示控制系統的校準值。正常範圍：40 - 60。

“PL”：功率極限

顯示熱水器當前最大額定功率 (kW)。

“Er”：診斷

顯示最近十條診斷資訊。

按下按鍵 ① 後，首次出現的數值顯示錯誤代碼 (參見防護罩上的“故障檢查與診斷概要”)。使用按鍵 ▲ 和 ▼ 可按時間順序顯示最近10條錯誤代碼。顯示器從“0”到“9”依次顯示錯誤號和相應錯誤。最近一次錯誤記錄在“0”位置，以往錯誤每條移動1個位置。

“LL”：功能許可權

可限制熱水器的運行模式。

設置選擇：

“0” 無限制 (出廠設置)

“1” 無法使用按鍵重設出廠值，可觀察到參數，但不可在設置菜單中修改

“2” 與“1”相同。此外，設置功能表無法打開

“3” 與“2”相同。此外，標稱值記憶體1和2不可改變

“4” 與“3”相同。此外，標稱值不可改變

說明：選擇設置“1”、“2”、“3”或“4”後，服務功能表中的系統參數將不可修改。

若要修改系統參數，必須去除供電電路的跳線。“功能許可權取消”部分已說明。

12. 服務功能表

“服務功能表” 條目順序



F_L	流量
P_O	功率
t_1	進水口溫度
t_2	出水口溫度
$[R]$	控制值
P_L	功率極限
E_r	診斷
L_L	功能許可權
nr	軟件版本
$[h]$	無線通道
r_S	接收強度
t_L	溫度範圍
IIC	信號

“nr”：軟件版本

關於已安裝軟件版本的資訊。

“Ch”：無線通道

(僅限無線模組)

關於熱水器及其遙控器當前無線通道的資訊。

“rS”：接收強度

(僅限無線模組)

關於遙控器當前信號品質的資訊，以百分比表示。根據遙控器與熱水器之間的距離，該數值在10%至100%之間變化。

“tL”：溫度範圍

最高可設定溫度可降低至在限值範圍內的任何溫度。

功能許可權必須在安裝跳線限制溫度後才可啟動。

“IIC”：信號

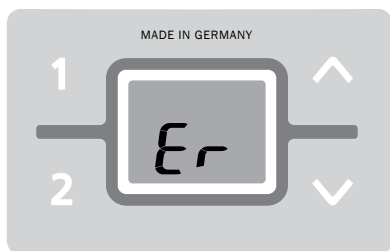
關於連接診斷顯示器後無線通訊品質的資訊。

13. 故障檢修



只有經認可的專業人員方可進行維修。

若按照以上表格所列方法無法排除熱水器故障，請聯繫您的出口商的服務機構或佳捷客戶服務中心。請記錄銘牌詳細資訊。



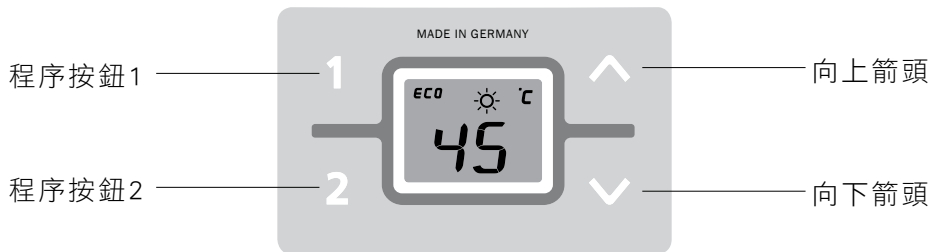
德國寶在生產即熱式電熱水器CEX期間盡心盡責，並在發貨前檢驗數次。通常不會發生嚴重故障。若發生故障，首先切斷並打開總保險絲，以此重設電路。然後參考以下表格解決問題，從而避免產生不必要的客服開支。

問題	原因	解決方案
水溫一直處於低位；電子顯示幕不亮	總保險絲跳閘	更換或接通保險絲
	安全壓力保護器跳閘	請聯繫客服中心
水溫一直處於低位；電子顯示幕不亮	安全熱熔保護器跳閘	請聯繫客服中心
顯示閃爍錯誤資訊“Er”	控制系統切斷	斷開後接通保險絲。若仍閃爍“Er”，請聯繫客服人員。
熱水流速過低	出水口配件變磷或鈣化	清潔淋浴頭、射流調節器或過濾網
	精濾器變磷或鈣化	請專業人員清潔精濾器
未達到選擇溫度，“MAX”亮	水流速度過高	降低龍頭水流速度
未達到選擇溫度，“MAX”未亮	已通過龍頭添加冷水	僅打開熱水龍頭；設置使用溫度
標誌“sun”閃爍	進水口溫度超過標稱溫度	降低進水口
設備發熱，顯示幕不亮	顯示幕插頭無正確連接	通知客服，聯繫專業人士固定插頭位置

若連接電線有損壞，應通知合格技師更換原廠配送的備用連接線，避免損壞設備或造成傷害。

若按照以上表格所列方法無法排除熱水器故障，請聯繫客服中心。

快速指南



溫度設定

⏴ -1 °C ⏵ +1 °C

35,0..42,0 °C常用溫區

⏴ -0,5 °C ⏵ +0,5 °C

選擇預設溫度

A1 (1) → A2 (35)

B1 (2) → B2 (48)

儲存溫度

1 (設定溫度, 如43°C) → 2 (按 ≥ 3秒)

3 (P1 P2) → 4 (43)

顯示新設定數值 (如43°C)

防燙傷保護開啟

1 (↑) → 2 (1 + ↑ 按 ≥ 3秒)

3 (HI 確認啟動)

防燙傷保護關閉

1 (1 + ↓ 按 ≥ 3秒) → 2 (— 確認取消)

功率極限

MAX

無輸出單元

☀

重新設定

1 (↑ + ↓ 長按) → 2 (09, 08, 07, ...)

3 (00 重設完成)

服務功能表

1 (1 + 2 按 ≥ 2秒) → 2 (FL*)

3 (↑ ↓) → 4 (1)

5 (38 顯示器閃爍) → 6 (↑ ↓)

7 (1) → 8 (2) → 9 (eco 45 °C)

保用條款

此保用提供德國寶產品之機件在正常使用下壹年保用(自購買日起計算)。

Warranty Terms & Conditions

Under normal operations, the product will guarantee a 1-year full warranty provided by German Pool (effective from the date of purchase).

* 貴戶須在購機十天內，以下列其中一種方式向本公司登記資料，保用手續方正式生效：

1) 填妥本公司網頁內之保用登記表格

www.germanpool.com/warranty

2) 填妥保用登記卡，郵寄至本公司。



* This warranty is not valid until customer registration information is received by our Service Centre within 10 days of purchase via one of the following means:

1) Visit our website and register online:

www.germanpool.com/warranty

2) Complete all the fields on the attached Warranty Card and mail it back to our Customer Service Centre.



另請填妥以下表格並與正本發票一併保存，以便維修時核對資料。用戶提供之所有資料必須正確無誤，否則免費保用將會無效。
Please fill out the form below. This information and the original purchase invoice will be required for any repairs. Warranty will be invalidated if information provided is found to be inaccurate.

型號 Model No. : CEX21 CEX21-U

機身號碼 Serial No. : _____ 發票號碼 Invoice No. : _____

購買商號 Purchased From : _____ 購買日期 Purchase Date : _____

1. 未能出示購買發票正本者，將不獲免費維修服務。
2. 用戶應依照說明書的指示操作。本保用並不包括：
 - 上門安裝、檢驗、維修或更換零件之人工以及一切運輸費用；
 - 因天然與人為意外造成的損壞 (包括運輸及其他)；
 - 電源接合不當、不依說明書而錯誤或疏忽使用本機所引致之損壞。
3. 於下列情況下，用戶之保用資格將被取消：
 - 購買發票有任何非認可之刪改；
 - 產品被用作商業或工業用途；
 - 產品經非認可之技術人員改裝或加裝任何配件；
 - 機身編號被擅自塗改、破壞或刪除。
4. 總代理有權選擇維修或更換配件或其損壞部份。
5. 產品一經被轉讓，其保用即被視作無效。

1. Customer who fails to present original purchase invoice will not be eligible for free warranty service.
2. Customer should always follow the operating instructions. This warranty does not apply to:
 - labour costs for on-site installation, check-up, repair, replacement of parts and other transportation costs;
 - damages caused by accidents of any kind (including material transfer and others);
 - operating failures resulting from applying incorrect voltage, improper usage, and unauthorized installations or repairs.
3. This warranty is invalid if:
 - the purchase invoice is modified by an unauthorized party;
 - the product is used for any commercial or industrial purposes;
 - the product is repaired or modified by unauthorized personnel, or unauthorized parts are installed;
 - the serial number is modified, damaged or removed from the product.
4. German Pool will, at its discretion, repair or replace any defective part.
5. This warranty will be void if there is any transfer of ownership from the original purchaser.

客戶服務及維修中心

中國香港

九龍灣啟興道1-3號

九龍貨倉10樓

電話：+852 2333 6249

傳真：+852 2356 9798

電郵：repairs@germanpool.com

中國澳門

澳門俾利喇街145號

寶豐工業大廈3樓

電話：+853 2875 2699

傳真：+853 2875 2661

Customer Service & Repair Centre

Hong Kong, China

10/F, Kowloon Godown

1-3 Kai Hing Road, Kowloon Bay,

Kowloon, Hong Kong

Tel : +852 2333 6249

Fax : +852 2356 9798

Email : repairs@germanpool.com

Macau, China

3/F, Edificio Industrial Pou Fung,

145 Rua de Francisco Xavier Pereira,

Macau

Tel : +853 2875 2699

Fax : +853 2875 2661

此保用只適用於香港及澳門

This warranty is valid only in Hong Kong and Macau

GERMAN POOL 德國寶



德國寶(香港)有限公司 | 德国宝(香港)有限公司 German Pool (Hong Kong) Limited

中國香港 | 中国香港
Hong Kong, China

香港九龍土瓜灣馬頭角道116號
新寶工商中心2期113號室
香港九龍土瓜灣馬頭角道116号
新宝工商中心2期113号室
Room 113. Newport Centre Phase II. 116 Ma Tau
Kok Road. Tokwawan. Kowloon. Hong Kong.
電話 电话 Tel: +852 2773 2888
傳真 传真 Fax: +852 2765 8215

中國內地 | 中国内地
Mainland China

廣東省佛山市順德區
大良南國東路德順廣場三層
广东省佛山市顺德区
大良南国东路德顺广场三层
3/F, Takshun Plaza, Nanguo East Road,
Shunde, Foshan, Guangdong
電話 电话 Tel: +86 757 2980 8308
傳真 传真 Fax: +86 757 2980 8318

中國澳門 | 中国澳门
Macau, China

澳門俾利喇街145號
寶豐工業大廈3樓
澳门俾利喇街145号
宝丰工业大厦3楼
3/F, Edificio Industrial Pou Fung,
145 Rua de Francisco Xavier Pereira, Macau
電話 电话 Tel: +853 2875 2699
傳真 传真 Fax: +853 2875 2661



© 版權所有。未獲德國寶授權，不得翻印、複製或使用本說明書作任何商業用途，違者必究。 | © 版权所有。未获德国宝授权，不得翻印、复制或使

www.germanpool.com

Subject to technical changes, design changes and errors. 保留技術更改、規格變動的權利，疏忽之處在所難免。
9120-25603 08.15