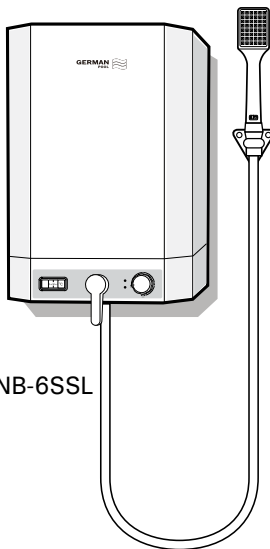
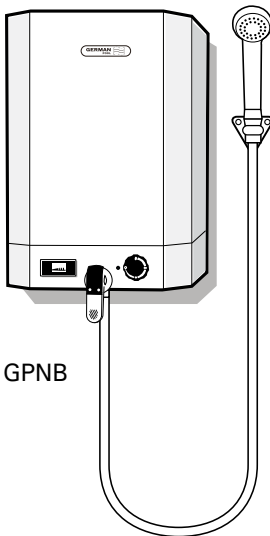
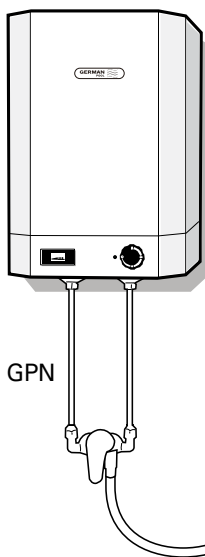


花灑儲水式電熱水器  
Shower Unit Electric Storage Water Heater

GPN/GPNB/  
GPNB-6SSL



即時網上登記保用  
Online Warranty Registration



在使用之前請詳細閱讀「使用說明書」及「保用條款」，並妥為保存。  
Please read these instructions and warranty information carefully before use and keep them handy for future reference.

# 目錄 Table of Contents

貴戶須在購買本產品十天內，以下列其中一種方式向本公司登記資料，保用手續方正式生效：

- 1) 填妥本公司網頁內之保用登記表格  
[www.germanpool.com/warranty](http://www.germanpool.com/warranty)。
- 2) 填妥保用登記卡，連同發票副本一併郵寄到客戶服務部（本公司將不發還發票副本或登記卡）。

This warranty is not valid until Customer's registration information is returned to and received by our Service Centre within 10 days of purchase via one of the following methods:

- 1) Visit our website and register online:  
[www.germanpool.com/warranty](http://www.germanpool.com/warranty).
- 2) Complete all fields on the attached Warranty Card and mail it back to our Customer Service Centre along with a photocopy of the purchase invoice (Warranty Card and invoice copy will not be returned to Customer).

以下資料供貴戶維修時作核對之用，請妥善保存本保用證明書及產品發票正本。  
The following information is required when you call in for repair services. Please save this warranty handbook and the original purchase invoice for future reference.

型號 Model No.: \_\_\_\_\_

機身號碼 Serial No.: \_\_\_\_\_

購買商號 Purchase From: \_\_\_\_\_

發票號碼 Invoice No.: \_\_\_\_\_

購買日期 Purchase Date: \_\_\_\_\_

產品特點 Features 04

配件裝置選擇 Component Options 05

安裝說明 Installation Instructions 07

電路圖 Wiring Diagram 11

使用說明 Operating Instructions 12

產品規格 Specifications 13

保用條款 Warranty Terms & Conditions 15

## 產品特點 Features

GPN及GPNB電熱水器配備原廠低壓式混合水龍頭及花灑配件，適合於單點使用。

GPN and GPNB are a non-pressure water heaters designed for single-point application.

### 警告

若用戶需要安裝任何非隨機配件，必須先與本公司認可之技術人員聯絡，否則本公司將有權拒絕提供任何保養服務。

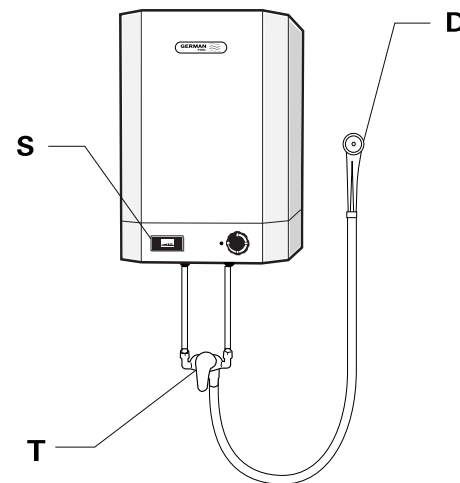
### Warning

Each unit is equipped with a standard open-outlet mixer and a shower set. Please install water heater in accordance to the instructions stated on this booklet. German Pool will NOT provide warranty service on any product installed with unauthorized components or devices.

不銹鋼內膽 Stainless Steel Inner Tank	採用長期耐高溫及受高壓容器專用之日本特殊不銹鋼製造，內膽結構堅固，保證防銹、耐壓及不受水質侵蝕。 Constructed of Japanese heavy gauge stainless steel, specially made for high temperature and pressure applications. It is durable and free of rust, corrosion, deformity and hassle.
保溫設計 Thermal Insulation	完密噴注式保溫層，使用先進合成樹脂纖維材料，保持熱水溫度，同時將失溫程度減至最低，大大節省電能。 Optimal heat insulation is achieved by injected polyurethane foam.
發熱管 Heating Element	高質發熱管，發揮最高導熱效能，並內置超溫斷路器，確保安全。 High quality heating element with built-in thermal cut-out ensures maximum thermal efficiency and safety.
溫度調節器 Thermostat	溫度調節器自動恆溫，保持水溫在預調溫度，節省能源，並配合個人使用熱水的習慣。 Thermostat provides automatic temperature control at preset temperature to accommodate individual bathing habits and save energy.
外殼 Exterior Casing	採用堅固防侵蝕金屬片，原裝多層焗油。 Constructed of corrosion-proof metal with multi-layer finishing.
符合規格 Conformity	機電工程署電氣產品(安全)規例。 Electrical Products (Safety) Regulations, Hong Kong.
認證標準 Certifications	IEC 60335-2-21 IEC 60335-1

## 配件裝置選擇 Component Options

### GPN



### 配件裝置選擇 Component Options

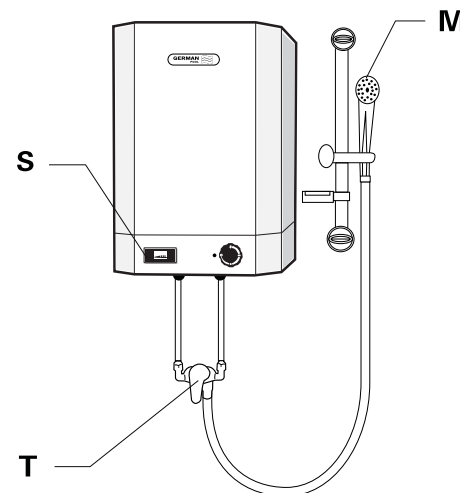
**D:** 插座式花灑頭  
Plug-In Type Shower Head

**S:** 溫度顯示器  
Thermometer

**M:** 直柱式花灑頭  
Slide Bar Type Shower Head

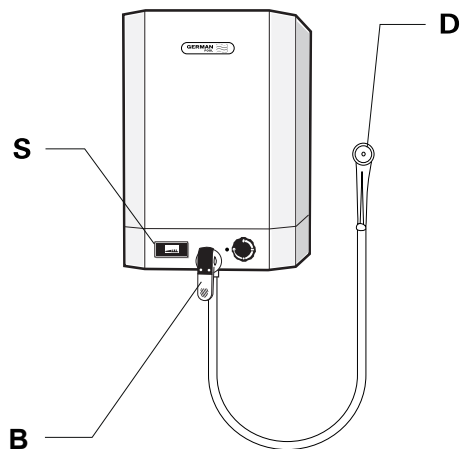
**T:** 單控式混合龍頭  
Single Lever Mixer

**L:** 搖擺式出水口 - 只適用於  
2加侖型號或以上(上圖沒有展示)  
Swivel Outlet - for 2 gallon or  
above models only (not shown  
above)



## 配件裝置選擇 Component Options

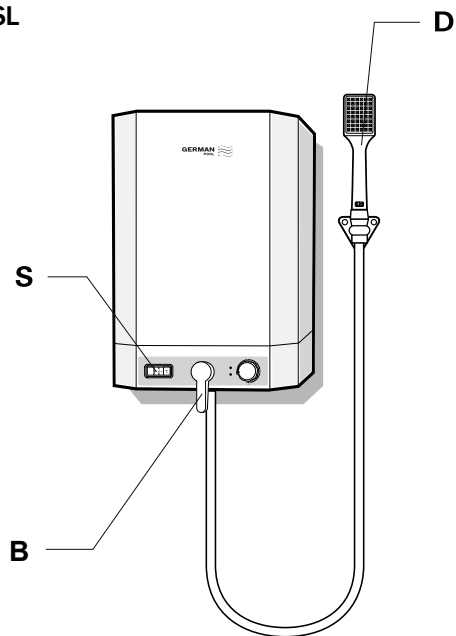
### GPNB



#### 標準配件裝置 Standard Components

- B:** 內置單控式混合龍頭  
Built-in Single Lever Mixer
- S:** 溫度顯示器  
Thermometer
- D:** 插座式花灑頭  
Plug-In Type Shower Head

### GPNB-6SSL



#### 標準配件裝置 Standard Components

- B:** 內置單控式混合龍頭  
Built-in Single Lever Mixer
- S:** 溫度顯示器  
Thermometer
- D:** 插座式花灑頭  
Plug-In Type Shower Head

P.6

## 安裝說明 Installation Instructions

### 安裝前注意

安裝必須使用原廠配件。若不按指示方法安裝及使用而引致任何損壞，本公司概不負責。安裝工作應由專業持牌水電技術人員負責。

### Pre-Installation Notice

Installation should be done by a licensed technician using the supplied parts. German Pool is not responsible for any defect or damage caused by incorrect or unauthorized installation.

### 掛牆定位

先將熱水器背板以膨脹螺絲安裝於承重的牆壁上，然後將熱水器背部凹孔扣在背板上，並調整至緊貼牆壁及保持垂直為佳。花灑頭插座以膨脹螺絲安裝於適當位置上。

### Positioning

Position water heater near water tap / point of use in order to minimize heat loss. For wall-mount style, appropriate anchor screws must be used and wall should be strong enough to withstand the weight of water heater. Keep a minimal distance between wall and water heater.

### 水喉接駁

水喉管徑直徑為 $\frac{1}{2}$ "英吋，接駁妥當後應試看接駁位置有否漏水，妥當後即可將有紅點之熱水掣打開注水，直至花灑頭噴水即表示內膽經已注滿，並可將熱水掣關好。

### Connecting Inlet and Outlet Pipes

The diameter of piping is  $\frac{1}{2}$ " BSP. Make sure there is no leaking at the joints. Turn on hot water tap to fill up the inner tank until water flows from the shower head. Turn off hot water.

### 接電方法

由電箱獨立伸延一條適合之電線(見下表)至浴室門外接駁獨立開關掣，再將電線伸延至熱水器穿進灰色線夾接到電線排上分別接上水線(N)，火線(L)，及地線(⊕)等。

### Electric Wiring

Use an independent wire (refer to table below) leading from the meter box and connect it to an independent on/off switch outside bathroom. Extend the wire through the grey wire grip on the water heater. Dismount the bottom plate and wire up Neutral (N), Life (L) and Earth (⊕) terminals.

本熱水器必須永久可靠地連接地線。

This water heater must be earthed at all time.

P.7

# 安裝說明 Installation Instructions

## GPN

發熱線功率 (千瓦) Heating Element Rating (kW)	所需電源(安培) Electric Current (A)	電源線最低要求(平方毫米) Wiring (mm <sup>2</sup> )
1.5 kW	8 A (單相1PE)	1.5 mm <sup>2</sup>
2 kW	10 A (單相1PE)	2.5 mm <sup>2</sup>
3 kW	15 A (單相1PE)	2.5 mm <sup>2</sup>
4 kW	20 A (單相1PE)	4.0 mm <sup>2</sup>

## GPNB

發熱線功率 (千瓦) Heating Element Rating (kW)	所需電源(安培) Electric Current (A)	電源線最低要求(平方毫米) Wiring (mm <sup>2</sup> )
2 kW	10 A (單相1PE)	2.5 mm <sup>2</sup>
3 kW	15 A (單相1PE)	2.5 mm <sup>2</sup>
4 kW	20 A (單相1PE)	4.0 mm <sup>2</sup>

## GPNB-6SSL

發熱線功率 (千瓦) Heating Element Rating (kW)	所需電源(安培) Electric Current (A)	電源線最低要求(平方毫米) Wiring (mm <sup>2</sup> )
3 kW	15 A (單相1PE)	2.5 mm <sup>2</sup>

## 電源開關掣

設於熱水器外用以切斷電源供應之開關掣，應全極切斷電源，兩極之間應保持最少3mm距離。

於浴室內安裝本電熱水器時必須遵照IEE之有關電線安裝條例規格接駁。電源開關應採用有顯示燈類型，當用戶需要作任何內膽清洗或維修，必先切斷電源。

## 測試使用

水喉與電源接駁妥當及內膽注滿水後，便可進行通電。此時指示燈會亮著，用戶便可將自動恆溫旋鈕調校至最高度數。當溫度達到85°C時，恆溫器即會自動停止加熱。選擇適當溫度後不應以恆溫旋鈕當作開關掣使用，因此舉會縮減該配件之使用壽命。

## Power Switch

The external switch is used to completely disconnect water heater from power supply. It should disconnect all poles, and a contact separation of at least 3 mm must be present.

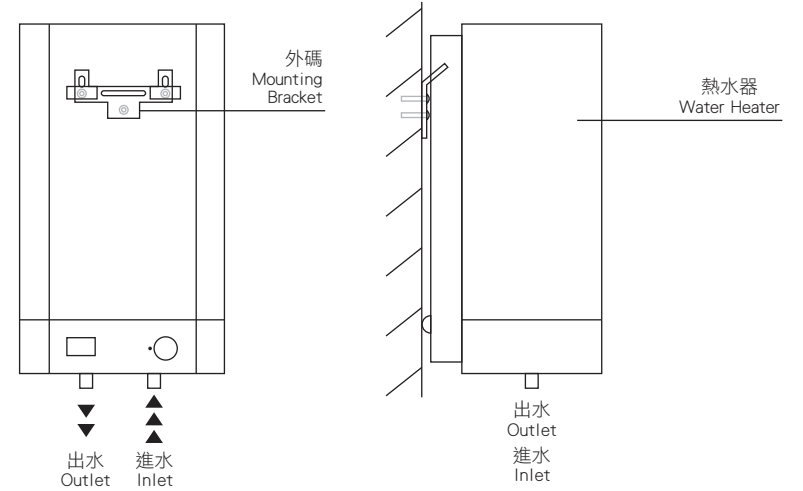
IEE wiring regulations should be observed when the water heater is installed in the bathroom.

## Testing

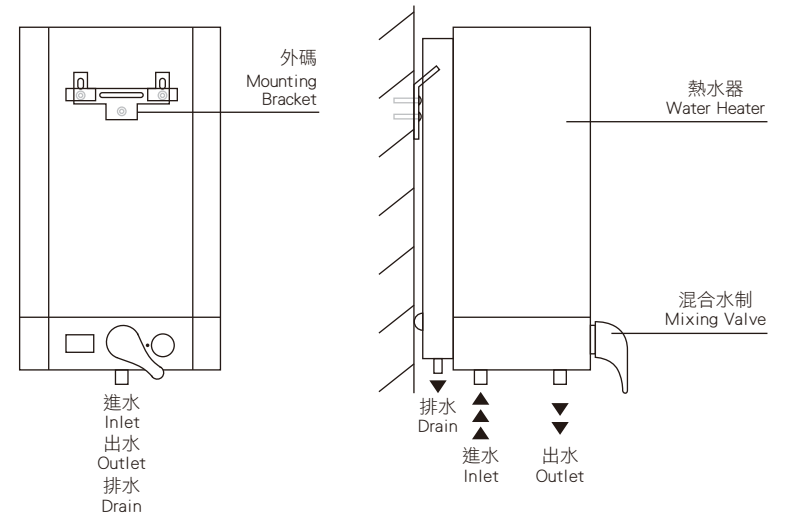
Once the piping and wiring are connected and inner tank has been filled up with water, switch on the power. The indicator light will be lit. Turn control knob to the desired temperature (Max. temperature is 85°C). Do not use the control knob as an on/off switch.

# 安裝圖 Installation Diagram

## GPN

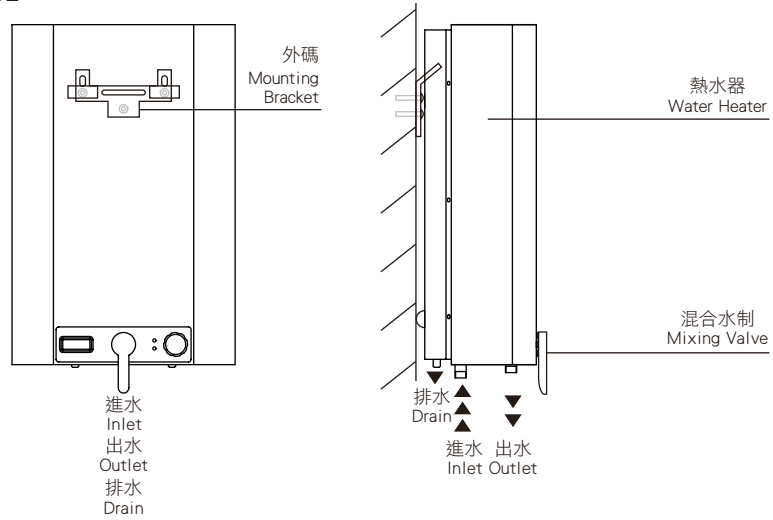


## GPNB



# 安裝圖 Installation Diagram

## GPNB-6SSL

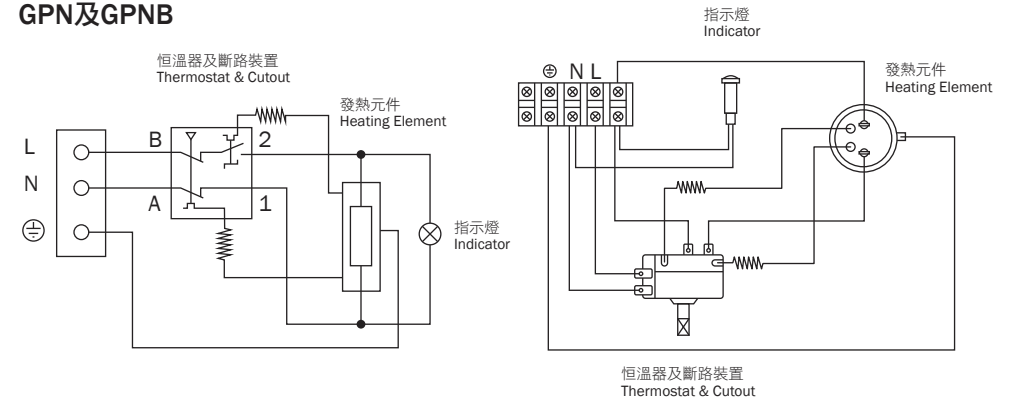


**使用外碼時注意：**確定爐的安裝位置後，請先用螺絲將外碼固定在牆上，再將爐後蓋上的方孔對準固定在牆上的外碼，向下將爐穩靠地固定掛在牆上。

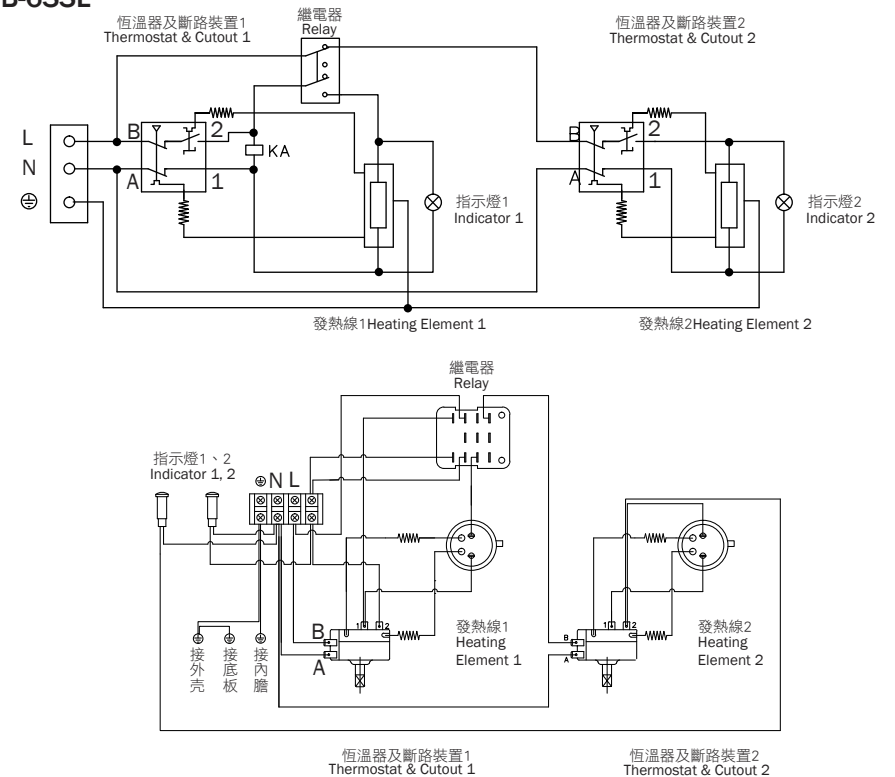
**Caution:** After confirmation of installation location, properly secure the mounting bracket with screws on the wall, align the holes of the back plate of the water heater with the mounting bracket, and downwardly hang the water heater.

# 電路圖 Wiring Diagram

## GPN及GPNB



## GPNB-6SSL



220 伏特 A.C. - 單相  
220 Volt A.C. - Single Phase



## 警告

1. 必須嚴密看管兒童，防止他們接觸及把玩熱水器，以免燙傷、觸電或受傷。
2. 本產品不適用於缺少了身體、感覺或精神能力，或缺乏經驗和知識的人（包括兒童）使用，除非他們在一個了解本產品使用的人監督指導下使用，並對他們的安全負責任。
3. 電源進線段應加裝漏電保護裝置，漏電保護裝置的額定動作電流應不大於30mA。
4. 若設置溫度超過50°C，會有燙傷危險，所以必須混合冷水後才使用。

## 停水期間

停水時不應將熱水器內之存水用盡，否則會導致發熱線損壞。恢復供水後，應先扭開熱水掣直至有水從花灑流出。待內膽注滿水後，用戶便可重新開啟電源。

## 水質問題

若來水水源為河水、井水、地下水或礦物質含量較高，用戶必需經常定期清洗發熱線以確保發熱線正常運作及發揮最佳製熱效能。

## 花灑頭滴水

因冷縮熱脹原理，熱水器內膽當達到高溫時便會有少量水在花灑頭流出。

## 出水位

出水位乃本熱水器之排氣管，除德國寶指定之花灑配件外，不得接駁任何其他水喉配件或裝置。



## Warning

1. Do not allow children to touch or play with the water heater. Supervision is required during use, in order to prevent the danger of a scald, electrical shock or any other injuries.
2. This appliance is not intended for use by persons (including children) with reduced physical, sensory or mental capabilities, or lack of experience and knowledge, unless they have been given supervision or instruction concerning use of the appliance by a person responsible for their safety.
3. An electric-leakage protection device must be installed to the power inlet. The electric current of this protection device should be below 30mA.
4. If the temperature is set above 50 °C, cold water must be mixed in to prevent the danger of a scald.

## Water Shortage

During water shortage, do not drain water from inner tank. The heating element would be damaged if it is not submerged under water. When water supply resumes, turn on hot water tap and let water flows through the shower head before switching on the power.

## Source of Water Supply

If the water source is a river, a well, underground water or has relatively high mineral content, user must clean the heating element regularly to ensure it will operate at optimum thermal efficiency.

## Dripping

Due to thermal expansion, small amount of water may drip off from the shower head when the inner tank temperature is very high.

## Outlet

The outlet of the water heater is supposed to act as a vent and should not be connected to any unauthorized piping attachment or device.

	GPN-2	GPN-4	GPN-6	GPNB-6SSL	GPNB-5	GPNB-5C
電壓 Voltage	220 V	220 V	220 V	220 V	220 V	220 V
功率 Power	2 / 3 kW	2 / 3 / 4 kW	2 / 3 / 4 kW	3 kW	2 / 3 / 4 kW	2 / 3 / 4 kW
尺寸 Dimensions (mm)	(H) 425 (W) 290 (D) 200	(H) 470 (W) 330 (D) 241	(H) 650 (W) 330 (D) 241	(H) 640 (W) 420 (D) 210	(H) 560 (W) 330 (D) 250	(H) 560 (W) 330 (D) 250
容量 Capacity	7.6 L	15 L	23 L	23 L	18 L	18 L
淨重 Net Weight	7.1 kg	10 kg	12.6 kg	17 kg	11.1 kg	11 kg
防水等級 Water Resistance	IPX4	IPX4	IPX4	IPX4	IPX4	IPX4
額定壓力 Rated Pressure	0 MPa	0 MPa	0 MPa	0 MPa	0 MPa	0 MPa

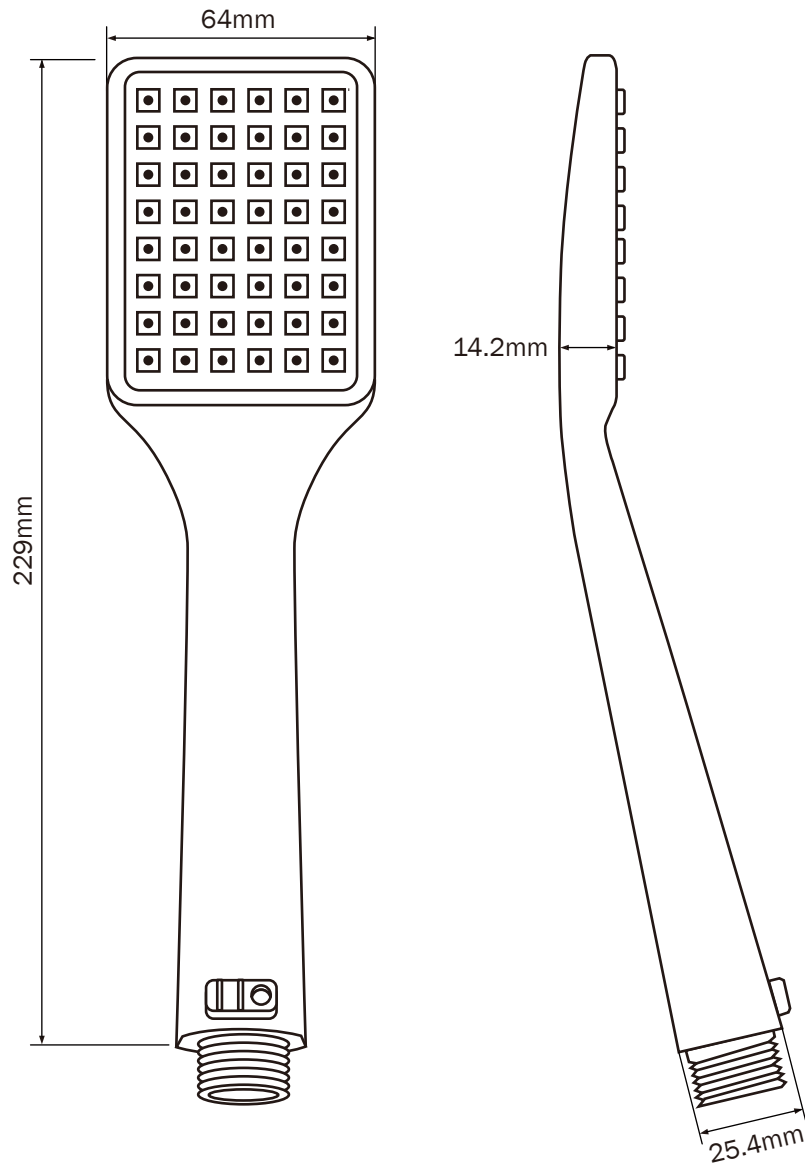
產品規格及設計如有變更，恕不另行通知。  
中英文版本如有出入，一概以中文版為準。  
最新版本以 [www.germanpool.com](http://www.germanpool.com) 網上版為準。

Specifications are subject to change without prior notice.

If there is any inconsistency or ambiguity between the English version and the Chinese version, the Chinese version shall prevail.

Refer to [www.germanpool.com](http://www.germanpool.com) for the most up-to-date version.

# 專用節水花灑 Water Saving Shower Head



## 保用條款

請填妥以下表格並與發票一併保存，以便維修時核對資料。用戶提供本公司之所有資料必須正確無誤，否則免費保用將會無效。

\* 貴戶須在購機十天內，以下列其中一種方式向本公司登記資料，保用手續方正式生效：

- 1) 填妥本公司網頁內之保用登記表格  
[www.germanpool.com/warranty](http://www.germanpool.com/warranty)
- 2) 填妥保用登記卡，郵寄至本公司。



另請填妥以下表格並與正本發票一併保存，以便維修時核對資料。用戶提供之所有資料必須正確無誤，否則免費保用將會無效。 Please fill out the form below. This information and the original purchase invoice will be required for any repairs. Warranty will be invalid if information provided is found to be inaccurate.

型號 Model No. :  GPN  GPNB  GPNB-6SSL

機身號碼 Serial No. : \_\_\_\_\_ 發票號碼 Invoice No. : \_\_\_\_\_

購買商號 Purchased From : \_\_\_\_\_ 購買日期 Purchase Date : \_\_\_\_\_

自購買日起壹年之內，本熱水器如有原廠內部組件之損壞，德國寶(“本公司”)將會依照下列條款為用戶提供免費上門維修服務。

1. 根據下列保用條款，本公司有權選擇維修或換配件或其損壞部份。
2. 壹年保用期屆滿後，本公司會另再保用熱水器內膽九年。此保用只適用於熱水器內膽之更換，除參加續保計劃\*的用戶外，所有檢查、運送及裝拆費用均須額外收費。  
\*續保計劃詳情請向本公司客戶服務部查詢。
3. 保用登記表格必須於購買日起十天內填妥並寄回本公司，當本公司收到閣下之登記資料，保用立即正式生效。本公司將不會發出確認通知或退還任何文件，敬請用戶將購買產品之發票正本及本保用證明書妥善保存以作核對資料之用。
4. 此保用不包括任何因不正確安裝或使用而引致之損壞。
5. 於下列情況下，用戶之保用資格將會被取消：
  - 維修時未能出示購買發票正本及保用證明書。
  - 購買發票或保用證明書有任何非認可之刪改。
  - 產品經非本公司認可之技術人員改裝或被加裝任何未經許可之配件。
  - 機身編號被擅自塗改、破壞或刪除。
6. 如用戶自攜熱水器或部份配件到本公司維修部檢查或維修，本公司將會收取檢查或測試費用。
7. 此保用只在香港、九龍、新界區有效，東涌、愉景灣及離島須額外收取交通費用。

## 客戶服務及維修中心

**香港** 九龍灣啟興道1-3號九龍貨倉10樓  
電話：+852 2333 6249 傳真：+852 2356 9798  
電郵：repairs@germanpool.com

**中國** 全國服務熱線：+86 400 830 3838  
傳真：+86 0757 2336 0284  
電郵：repairs@germanpool.com.cn

**澳門** 澳門俾利喇街145號寶豐工業大廈3樓  
電話：+853 2875 2699 傳真：+853 2875 2661  
電郵：repairs@germanpool.com

## Warranty Terms & Conditions

Please fill out the form below. This information and the purchase invoice will be required for any repairs. Warranty will be invalid if information provided is found to be inaccurate.

\* This warranty is not valid until Customer registration information is received by our Service Centre within 10 days of purchase via one of the following methods:

- 1) Visit our website and register online:  
[www.germanpool.com/warranty](http://www.germanpool.com/warranty)
- 2) Complete all fields on the attached Warranty Card and mail it back to our Customer Service Centre.



In accordance with the Warranty Terms & Conditions described below, German Pool will provide rectification of any manufacturing defect in this water heater free of charge, given that such defect is reported to our Customer Service Centre within 12 months from the date of purchase.

1. Subject to the conditions hereunder, German Pool will, in its discretion, repair or replace any defective part.
2. After the one-year warranty period, German Pool will provide an additional 9 years of warranty on inner tank. This additional warranty applies only to the replacement of inner tank. Customers who register in our Warranty Renewal Program\* can be exempt from charges on testing, transportation and labour.  
\*For details on Warranty Renewal Program, please contact our Customer Service Centre.
3. Warranty registration form must be completed and returned to German Pool (or its authorized agent in regions outside Hong Kong) within 10 days of purchase. The warranty will become effective immediately after the receipt of registration information. No confirmation notice nor any documents will be returned. Please keep original purchase invoice and this warranty handbook in a safe and convenient place for future reference.
4. This warranty does not cover damages resulting from improper installation or abnormal usage.
5. This warranty will be considered invalid if:
  - original invoice and warranty handbook are not presented.
  - original invoice and/or warranty handbook is altered or modified by unauthorized party.
  - product is installed or repaired by any unauthorized technician
  - non-standard part is used.
  - serial number on product body is removed, destroyed or altered by any unauthorized party.
6. Regardless of warranty status, all walk-in requests for water heater repair or replacement service at our Customer Service Centre are subject to testing and handling charges.
7. Service area includes Hong Kong Island, Kowloon and New Territories only. Repairs in Tung Chung, Discovery Bay or other areas are subject to an extra service charge.

## Customer Service & Repair Centre

**Hong Kong** 10/F, Kowloon Godown, 1-3 Kai Hing Road, Kowloon Bay, Kowloon, Hong Kong  
Tel : +852 2333 6249 Fax : +852 2356 9798  
Email : repairs@germanpool.com

**China** China Customer Service Hotline : +86 400 830 3838  
Fax : +86 0757 2336 0284  
Email : repairs@germanpool.com.cn

**Macau** 3/F, Edifício Industrial Pou Fung, 145 Rua de Francisco Xavier Pereira, Macau  
Tel : +853 2875 2699 Fax : +853 2875 2661  
Email : repairs@germanpool.com



GERMAN  
POOL



德國寶

## 德國寶(香港)有限公司 German Pool (Hong Kong) Limited

### 香港 Hong Kong

香港九龍土瓜灣馬頭角道116號  
新寶工商中心2期113號室  
Room 113, Newport Centre Phase II, 116 Ma Tau  
Kok Road, Tokwawan, Kowloon, Hong Kong.  
電話 Tel: +852 2773 2888  
傳真 Fax: +852 2765 8215

### 中國 China

廣東省佛山市順德區  
大良南國東路德順廣場三層  
3/F, Takshun Plaza, Nanguo East Road,  
Shunde, Foshan, Guangdong  
電話 Tel: +86 757 2980 8308  
傳真 Fax: +86 757 2980 8318

### 澳門 Macau

澳門俾利喇街145號  
寶豐工業大廈3樓  
3/F, Edificio Industrial Pou Fung,  
145 Rua de Francisco Xavier Pereira, Macau  
電話 Tel: +853 2875 2699  
傳真 Fax: +853 2875 2661



香港 (S MARK)  
安全認證



中國櫥櫃/家電行業  
十大影響力品牌



資本才俊CEO  
非凡品牌大賞



香港優質商號



香港工商業獎  
消費品設計



主應力促進局  
最佳創建品牌企業獎



香港中小企業  
最佳拍攝大獎



香港消費者  
推薦品牌



《Q標》優質  
服務證書



香港卓越名牌  
HONG KONG  
PREMIER BRAND



香港名牌十年成就獎  
Hong Kong Top Brand Ten Year  
Achievement Award

© 版權所有。未獲德國寶授權，不得翻印、複製或使用本說明書作任何商業用途，違者必究。

© All rights reserved. Copying, reproducing or using the contents of this manual is not allowed without prior authorization from German Pool, violators will be prosecuted.

[www.germanpool.com](http://www.germanpool.com)