

適合所有導磁鍋具

Compatible With All Ferromagnetic Cookware

電磁爐內的線圈通電後產生磁場，經含鐵成份的鍋具產生粒子磨擦而加熱，因此，所有含鐵導磁鍋具一律適用，如使用平底及較厚的鍋具，則可達至較佳的傳熱效果。

The cooker works with all types of metal pots and pans with ferromagnetic induction capability. For optimal heat transmission, use thick metal cookware with a flat base.



磁性不銹鋼製鍋具
Ferromagnetic
Stainless Steel



磁性鐵製鍋具
Ferromagnetic
Iron



磁性合金鍋具
Ferromagnetic
Alloy Metal



磁性鋁製鍋具
Ferromagnetic
Aluminium



磁性鐵製琺瑯鍋具
Ferromagnetic
Enamel



鑄鐵鍋具
Cast
Iron

榮獲一級能源標籤 節能環保

Grade 1 Energy Efficiency

德國寶全新嵌入式電磁爐，榮獲機電工程署一級能源標籤認證，節能環保。採用先進磁應發熱科技，強大火力媲美明火，溫度控制更比一般燃氣煮食爐更準確穩定，時尚環保廚房首選。

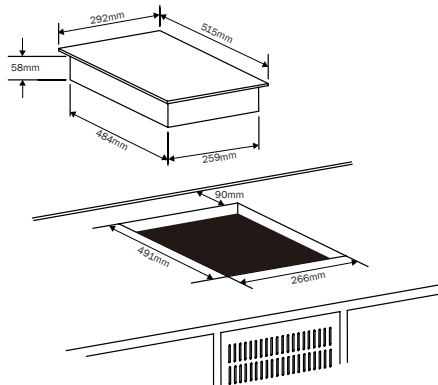
Certified with Hong Kong EMSD Grade 1 Energy Efficiency Label, guaranteeing it is among the most energy-saving and eco-friendly induction cookers on the market.



技術規格 Technical Specifications

型號 Model	GIC-PD28CB-S	GIC-DS28B-S
電壓/頻率 Voltage/Frequency	220 - 240 V~ / 50 Hz	220 - 240 V~ / 50 Hz
功率(最大) / Power (Max)	2,800W	2,800W
電流 Electric current	12.7A	12.7A
爐頭數目 No. of hobs	2	1
機身尺寸 Product dimensions	高(H)	78 mm
	闊(W)	292 mm
	深(D)	515 mm
嵌入式開孔尺寸 Cutout dimensions	高(H)	≥ 250 mm
	闊(W)	266 mm
	深(D)	491 mm
淨重 Net weight	7.5 kg	5.8 kg

安裝圖 Installation Diagram



注意：為確保散熱通風，爐灶與牆壁距離應為 ≥ 90mm，機身底部排風口不少於 250mm。
Note: Leave ≥90mm space between cooktop and wall, and ≥250mm space under cooktop for adequate heat dissipation.

產品規格及設計如有變更，恕不另行通知。中英文版本如有出入，一概以中文版為準。最新版本以 www.germanpool.com 網上版為準。
Specification is subject to change without prior notice. If there is any inconsistency or ambiguity between the English and Chinese versions, the Chinese version shall prevail. Refer to www.germanpool.com for the most updated version.

德國寶(香港)有限公司 GERMAN POOL (HONG KONG) LIMITED

中國香港 Hong Kong, China

銅鑼灣 FASHION WALK 京士頓街9號 ☎ +852 6530 5963
Fashion Walk, 9 Kingston Street, Causeway Bay T. +852 3110 2030

土瓜灣新寶工商中心地舖 ☎ +852 9387 2380
Upper G/F, Newport Centre, Tokwawan T. +852 2773 2828

九龍灣 MegaBox L5-5舖 ☎ +852 9018 8648
Shop L5-5, MegaBox, Kowloon Bay T. +852 3907 0366

更多產品資訊



© 版權所有。未獲本公司授權，不得翻印、複製或使用本單張作任何商業用途。
© All rights reserved. Copying, reproducing or using the contents of this leaflet is not allowed.

GIC-PD28CB-S,
DS28B-S_PS_23(1.1)

中國內地 Mainland China

佛山市順德區大良街道五沙新理路8號 T. +86 757 2219 6888
8 Xinxiang Road, Wusha, Daliang,
Shunde District, Foshan City

中國澳門 Macau, China

澳門青洲大馬路(青洲新路)515號 T. +853 2875 2699
美居廣場第二期1樓A座
1 Andar A, Edif. Mei Kui Kuong Cheong
Fase 2, 515 Av. do Conselheiro Borja

GERMAN
POOL



嵌入式雙頭/單頭電磁爐

GIC-PD28CB-S | GIC-DS28B-S



超窄機身
Ultra Slim Design



一插即用
Plug-n-Cook



超強火力
Strong Power



特窄爐身慳位設計 用盡廚房每吋空間

Revolutionary Slim Design Frees Up More Kitchen Space

德國寶全新嵌入式電磁爐專為港式納米廚房特別設計，採用革命性超窄機身，爐面闊度僅約29cm比A4紙更細，極之慳位，讓您輕鬆騰出更多寶貴的廚房空間。您亦可透過自由配搭不同款式的煮食爐，打造靈活實用的烹調空間，下廚從此更方便不再受煮食爐所限。

All new Built-In Induction Cooker is especially suited for HK's small kitchens. At only 29cm wide, it is slimmer than a sheet of A4 paper, releasing more countertop space; you can also pair it with other types of cookers, giving you the utmost cooking versatility.



單爐頭 Single Hob (GIC-DS28B-S)

配備一個22cm特大加熱區域，適合使用體積較大的鍋具，可一次過炮製多人份量菜式，足夠全家分享。配備1個獨立13A插頭一插即用，最高火力達2,800W強勁火力。

With 2,800W super high power and an extra wide 22cm heating zone, it can accommodate larger cookware like woks and soup pots. Equipped with a 13A BS plug, no complicated wiring necessary.



雙爐頭 Double Hob (GIC-PD28CB-S)

配備兩個18cm加熱區域，配備1個獨立13A插頭一插即用，兩個爐頭智能分配輸出2,800W強勁火力，同時烹調兩款菜式毫無難度，助您以更短時間搞掂完美一餐。

Two 18cm hobs sharing 2,800W enable you to cook two dishes at once, perfect for whipping up a wholesome meal in half the cooking time. Equipped with a 13A BS plug for convenient installation.

貼心設計

Thoughtful Design



德國耐高溫陶瓷玻璃
German-Made Glass Ceramic
嚴選德國SCHOTT CERAN®陶瓷玻璃面板，堅固耐用耐高溫，且平滑易潔。German-made SCHOTT CERAN® glass ceramic is durable, easy to clean and can resist high temperature.



童鎖功能
Child Lock Function
啟動童鎖後按鍵無效，避免兒童意外操作，清潔面板時亦倍添方便。When locked, panel becomes inoperable to prevent children accidentally tripping the keys; it also makes cleaning safer.



滑動欄簡易操控
Slider Control Bar
簡單左右滑動輕鬆調校火力，省卻連續重複按鍵的麻煩，極致方便。Simply glide your finger along the bar to adjust power or timer, no more repeated pressing of buttons.



SuperBoost功能
SuperBoost Function
一按瞬間達至最大火力，毋需久等層層遞進，極具效率，爆炒必備。One tap turns the designated hob to the highest power, ideal for fast heating, especially Chinese-style stir frying.



3小時定時烹調
3-hour Timer
簡單設置1-180分鐘超長定時，適合煲老火湯或燜牛腩等長時間烹調。Simply set the timer, and hob will automatically turn off when time is up; ideal for slow stewing.