



Rapid Fast Flow Electric Water Heater Series

德國寶電熱水器 速熱式系列



專利：專利雙膽設計(專利號：ZL 2016 2 1143463.4)

PATENTED: Patented Double Inner Tanks Design (Patent No.ZL 2016 2 1143463.4)

慳水：專用慳水節能花灑頭，慳水高達70%#

WATER EFFICIENT: Dedicated water-saving aerator showerhead slashes water usage by as much as 70%#

慳電：3kW智能調控技術，高效加熱慳電70%#

ENERGY EFFICIENT: 3kW smart-control alternate heating reduces energy consumption by 70%#

慳位：纖薄機身設計，節省空間更慳位

SPACE-SAVING: Slim design that takes up minimal space

節能：高效節能，環保又慳錢

ECO-FRIENDLY: Less water and electricity consumption means eco-friendly and thrifty

舒適：5分鐘速熱，超長舒適沐浴體驗

COMFORTABLE: 5 minutes rapid heating creates long-lasting showering comfort



混合流量3.5L/min，升溫20°C情況下與傳統6加侖容量電熱水器運作耗電耗水量相比。

Compared with the water and energy consumption of a traditional 6-gallon capacity electric water heater under the condition of 20°C increase in water temperature with a flow rate of 3.5L/min.

超越傳統儲水式熱水器 慳水慳電好拍檔

A Modern Revolution for an Eco-friendly Showering Experience

專利智能調控雙膽速熱系統

Patented for Double Inner Tanks Smart-Control Heating System

專利左右雙膽設計，分別配備3kW獨立雙加熱管，普通家庭即可安裝使用，左右分工智能加熱，熱水器即開速熱，源源不斷享受舒適熱水。

Creative double inner tanks design is equipped with two independent 3kW/4kW[#] heating elements suitable for domestic installation and usage. Smart-control alternate heating makes rapid heating possible for a continuous supply of hot water.



快 – 5分鐘即可享受舒適淋浴

FAST – only takes 5 min to prepare for an enjoyable shower

傳統單爐膽加熱耗時長，需要消耗很多能量；智能調控雙膽速熱技術，採用雙加熱管，集中熱力優先加熱部分熱水，通過動態熱循環迅速加熱來水，5分鐘即可達到舒適淋浴水溫。
Traditional single tank heating is time and energy-consuming. The Smart-control alternate heating technology uses two independent heating elements to quickly heat up part of the water through dynamic thermal cycle. It takes only 5 minutes to bring water to a thermally comfortable temperature.



5分鐘
min

速熱
Rapid
heating



舒適淋浴熱水
溫度
Comfortable
showering
temperature

久 – 可連續沖涼長達40分鐘*

LASTING – up to 40 min* of showering comfort

智能控溫技術，自動感應水溫變化，通過熱能轉換速熱技術，有效延長熱水供應時間，可連續沖涼長達40分鐘*，令沖涼時間更持久。

Intelligent temperature control technology detects the change in water temperature. The alternate intelligent heating enables a continuous hot water supply & lasting showering experience for up to 40 minutes*.



超長連續供應熱水
Long-lasting hot
water supply

慳 – 慳水慳電更慳錢

COST-EFFECTIVE – saves water, electricity and money

相比單爐膽和傳統熱水供應方式，智能速熱系統有效提高熱水使用效率，更能減少熱能浪費，配合專用慳水花灑頭，相比傳統6加侖容量電熱水器慳電慳水高達70%[#]，經濟慳錢！

Compared with single tank and the traditional mode of hot water supply, the smart-control heating system could achieve a higher water conservation rate and reduction in heat loss. Together with the dedicated water-saving aerator showerhead, it slashes water and energy consumption by up to 70%[#] when compared with the traditional 6-gallon capacity electric water heater. The whole user experience will be more energy-efficient and cost-effective, putting money back to your pocket!



爽 – 3kW舒適淋浴新革命

REFRESHING - 3kW revolutionary power for comfort showering

突破住宅電力限制，只需3kW的功率就能帶給您持久舒適的沐浴體驗，專利智能調控雙膽速熱技術，左右分工智能加熱，熱效率大幅提升，有效延長供應適溫熱水時間，舒適沐浴不再受限，帶給您超爽淋浴新體驗。

Surpassing household electricity limit, it only takes 3kW of power to enjoy continuous bathing comfort. The patented smart-control alternate heating technology greatly enhances heating efficiency to render lasting supply of warm water and boundless bathing refreshment.

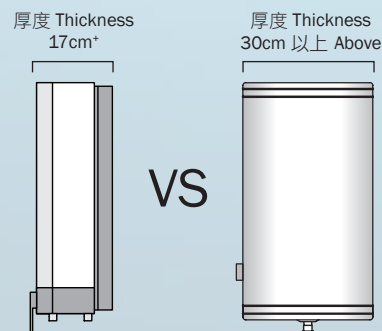
3kW

薄 – 超薄慳位設計

SLIM – ultra-slim space-saving design

相比傳統4加侖容量或6加侖容量電熱水器更纖薄，為浴室節省更多空間，更省位。

Compared with traditional 4-gallon capacity or 6-gallon capacity electric water heaters, they offer a slimmer design that takes up much less bathroom space.



德國寶速熱式電熱水器(6加侖)
German Pool Rapid Fast Flow
Electric Water Heater (6 Gal.)

傳統電熱水器(6加侖)
Traditional Electric Water
Heater (6 Gal.)

* 需配合德國寶慳水節能花灑頭使用。加熱30分鐘，入水溫度20°C，流量3.5L/min，混合水溫度40°C，出水時間40.20分鐘。

* Ought to pair with the dedicated water-saving aerator showerhead. Inlet water at 20°C with a flow rate of 3.5L/min is heated for 30 minutes. Hot water at 40°C can be continuously supplied for 40.20 minutes.

混合流量3.5L/min，升溫20°C情況下與傳統6加侖容量電熱水器運作耗電耗水量相比。

Compared with the water and energy consumption of a traditional 6-gallon capacity electric water heater under the condition of 20°C increase in water temperature with a flow rate of 3.5L/min.

+ 厚度17cm只適用於GPU-6SSM。

+ Thickness 17cm is for GPU-6SSM only.

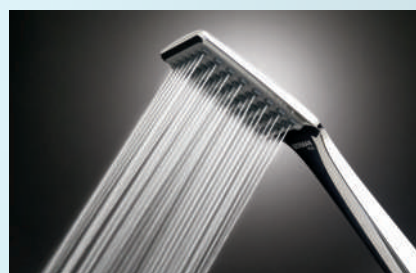
專利速熱式電熱水器+慳水節能花灑頭

Rapid Fast Flow Electric Water Heater + Water-Saving Aerator Showerhead

配合全新推出的慳水節能花灑頭，根據德國寶速熱式電熱水器特性度身研發設計，相比傳統6加侖容量電熱水器有效慳水高達70%#。通過創新空氣加壓技術，花灑流量媲美9公升/分鐘之按摩花灑頭^，有效延長沐浴熱水供應時間，慳水同時有效提升沐浴舒適度，享受最佳沐浴體驗。

Coupled with the new water-saving aerator showerhead, which is specially designed to be used with German Pool's Rapid Fast Flow Electric Water Heaters, it slashes up to 70%# of the water consumed by a traditional 6-gallon capacity water heater. The special designed aerator adopts the innovative Air Jet Compression Technology to increase water discharge to a rate that is comparable to a massaging jet (9L/min)^, resulting in a more lasting showering experience without compromising showering comfort. It will simply enable you to spend less while enjoy more.

慳水節能花灑頭
Water-Saving Aerator
Showerhead



採用創新空氣加壓技術，有效提升沐浴舒適度，體感效果媲美9公升/分鐘按摩花灑頭^。

The special designed aerator adopts the innovative Air Jet Compression Technology to deliver showering comfort comparable to a massaging jet at 9L/min^.



空氣加壓掣
Aerator Switch

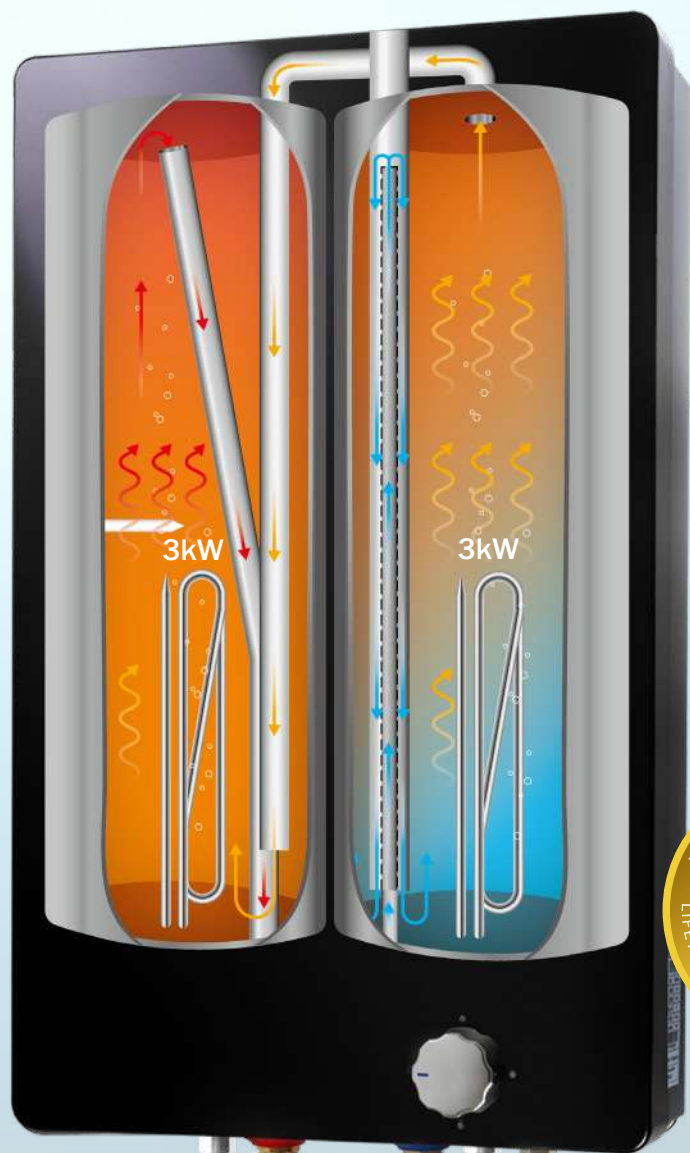
特設空氣加壓掣，打開氣孔加入空氣，保持慳水效果同時增強出水力度，為您帶來最佳舒適沐浴。

The unique Aerator Switch draws air through the air hole to increase water pressure, bringing you the most comfortable showering experience with reduced water consumption.



多角度靈活調節，適合不同位置。

Flexible holder for easy placement.



GPN-4SSL: 內部運作效果圖，只供參考
GPN-4SSL: Internal Operating Mechanism



^ 市面標稱流量為9公升/分鐘之一般按摩花灑頭。
^ The 9L/min flow rate offered by a typical massaging showerhead available in the market.

速熱式電熱水器 (中央型) 鏡面系列

Rapid Fast Flow Electric Water Heater (Central Type) Mirror Series

GPU-6SSM



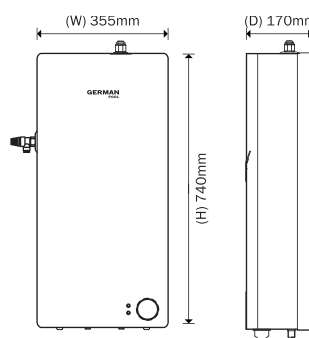
產品特點 Product Features



多點出水
Multi-point application

恆水節能花灑頭
Water-Saving Aerator
Showerhead

產品結構 Product Structure



簡潔入出水喉設計，安裝接駁容易，有效避免錯誤安裝
Simple water inlet and outlet design for easy and error-free installation.

優質進口配件 First-Rated Imported Components

2合1溫度調節器及超溫斷路器 2-in-1 Thermostat & Thermal Circuit Breaker (法國製造 Made in France)

溫度調節器自動恆溫，保持水溫在預設溫度，節省能源及配合個人的使用熱水習慣。超溫斷路器設定溫度上限為90°C。嶄新2合1設計更為簡潔耐用。

Thermostat automatically maintains at preset value to save energy and accommodate individual bathing habits. Thermal circuit breaker is set at a maximum temperature of 82°C. The advanced 2-in-1 design makes it more compact and durable.

超溫及超壓排放閥 Pressure & Temperature Relief Valves (P.T.V.) (意大利製造 Made in Italy)

超溫排放固定於90°C，或壓力排放於1,000kPa。

Water discharge at 90°C or 1,000kPa.

頂級不銹鋼內膽 Premium Stainless Steel Inner Tank (日本製造 Made in Japan)

頂級耐腐蝕日本特殊不銹鋼內膽，採用氬弧氬焊技術，確保防銹、耐壓，不受水質侵蝕。

Ultra-durable Japanese stainless steel inner tank assembled by argon arc welding technology to ensure the tank is resistant to rusting, high pressure and corrosion attack by impure water.

高效發熱管 Efficient Heating Elements

優質不銹鋼雙發熱管高效加熱，發揮最高導熱效能。

Dual high quality stainless steel heating elements ensure maximum thermal efficiency.

防倒流裝置 Anti-back Syphon Device

當無水供應時控制熱水器內的水不能排出。

Prevent hot water from being syphoned back to the supply pipe during water storage period.

節能保溫設計 Effective Insulation

保溫層特別採用一體成型美耐棉，能有效將失溫程度降至最低，保持熱水溫度，節省電能。

Maximum thermal insulation is achieved by high-density melafom injection moulded between the inner tank and outside casing, which slows down water heat loss and conserves electricity.

獨特黑色鏡面設計 Distinctive Black Mirror Finish

熱水器革命性採用黑色玻璃面板機身，達至鏡面反射效果，外觀極致摩登型格，為時尚浴室的不二之選。

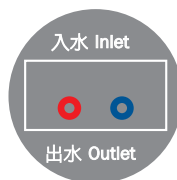
The revolutionary water heater adopts a black glass panel body to achieve a mirror reflection effect, and the appearance is extremely modern and stylish. It is the best choice for a fashionable bathroom.

速熱式電熱水器 (花灑型) 鏡面系列

Rapid Fast Flow Electric Water Heater (Shower Type) Mirror Series

GPN-4SSL

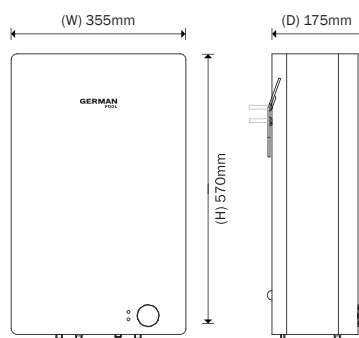
產品特點 Product Features



簡易接駁安裝
Simple installation



產品結構 Product Structure



簡潔入水喉設計，安裝接駁容易，有效避免錯誤安裝
Simple water inlet and outlet design for easy and error-free installation.

優質進口配件 First-Rated Imported Components

2合1溫度調節器及超溫斷路器 2-in-1 Thermostat & Thermal Circuit Breaker (法國製造 Made in France)

溫度調節器自動恆溫，保持水溫在預設溫度，節省能源及配合個人的使用熱水習慣。超溫斷路器設定溫度上限為90°C。嶄新2合1設計更為簡潔耐用。

Thermostat automatically maintains at preset value to save energy and accommodate individual bathing habits. Thermal circuit breaker is set at a maximum temperature of 82°C. The advanced 2-in-1 design makes it more compact and durable.

頂級不銹鋼內膽 Premium Stainless Steel Inner Tank (日本製造 Made in Japan)

頂級耐腐蝕日本特殊不銹鋼內膽，採用氬弧氬焊技術，確保防銹、耐壓，不受水質侵蝕。

Ultra-durable Japanese stainless steel inner tank assembled by argon arc welding technology to ensure the tank is resistant to rusting, high pressure and corrosion attack by impure water.

高效發熱管 Efficient Heating Elements

優質不銹鋼雙發熱管高效加熱，發揮最高導熱效能。

Dual high quality stainless steel heating elements ensure maximum thermal efficiency.

節能保溫設計 Effective Insulation

保溫層特別採用一體成型美耐棉，能有效將失溫程度降至最低，保持熱水溫度，節省電能。

Maximum thermal insulation is achieved by high-density melaf foam injection moulded between the inner tank and outside casing, which slows down water heat loss and conserves electricity.

獨特黑色鏡面設計 Distinctive Black Mirror Finish

熱水器革命性採用黑色玻璃面板機身，達至鏡面反射效果，外觀極致摩登型格，為時尚浴室的不二之選。

The revolutionary water heater adopts a black glass panel body to achieve a mirror reflection effect, and the appearance is extremely modern and stylish. It is the best choice for a fashionable bathroom.

速熱式電熱水器 (花灑型)

Rapid Fast Flow Electric Water Heater (Shower Type)

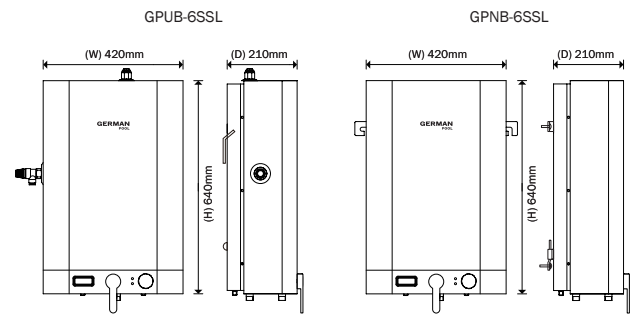
GPUB-6SSL GPNB-6SSL



產品特點 Product Features



產品結構 Product Structure



簡潔入水喉設計，安裝接駁容易，有效避免錯誤安裝
Simple water inlet and outlet design for easy and error-free installation.

優質進口配件 First-Rated Imported Components

2合1溫度調節器及超溫斷路器 2-in-1 Thermostat & Thermal Circuit Breaker (法國製造 Made in France)

溫度調節器自動恆溫，保持水溫在預設溫度，節省能源及配合個人的使用熱水習慣。超溫斷路器設定溫度上限為90°C。嶄新2合1設計更為簡潔耐用。

Thermostat automatically maintains at preset value to save energy and accommodate individual bathing habits. Thermal circuit breaker is set at a maximum temperature of 82°C. The advanced 2-in-1 design makes it more compact and durable.

超溫及超壓排放閥[#] Pressure & Temperature Relief Valves (P.T.V.) (意大利製造 Made in Italy)[#]

超溫排放固定於90°C，或壓力排放於1,000kPa。

Water discharge at 90°C or 1,000kPa.

頂級不銹鋼內膽 Premium Stainless Steel Inner Tank (日本製造 Made in Japan)

頂級耐腐蝕日本特殊不銹鋼內膽，採用氬弧氬焊技術，確保防銹、耐壓，不受水質侵蝕。

Ultra-durable Japanese stainless steel inner tank assembled by argon arc welding technology to ensure the tank is resistant to rusting, high pressure and corrosion attack by impure water.

高效發熱管 Efficient Heating Elements

優質不銹鋼雙發熱管高效加熱，發揮最高導熱效能。
Dual high quality stainless steel heating elements ensure maximum thermal efficiency.

防倒流裝置[#] Anti-back Syphon Device[#]

當無水供應時控制熱水器內的水不能排出。
Prevent hot water from being syphoned back to the supply pipe during water storage period.

節能保溫設計 Effective Insulation

密噴注式保溫層，使用先進合成樹脂纖維材料，失溫程度最低、保持熱水溫度，節省電能。

Optimal thermal insulation is achieved by the polyurethane foam layer, which slows down water heat loss and conserves electricity.

溫度顯示器 Temperature Display

溫度顯示器方便查看熱水溫度。

Temperature display conveniently indicates the water temperature.

內置單控式混合龍頭 Built-in Water Mixer

內置式設計，無需另駁配件，安裝簡單方便，有效避免錯誤安裝。節省空間同時有效減少熱量流失，溫度更精準。

Built-in water mixer requires no other odd-ons. Installation is simple and less prone to errors. It also saves space and helps reduce heat loss, which ensures a more precise water temperature output.

[#] 只適用於GPUB-6SSL。
[#] Only available with GPUB-6SSL.

速熱式電熱水器 (中央型)

Rapid Fast Flow Electric Water Heater (Central Type)

GPU-6SSL



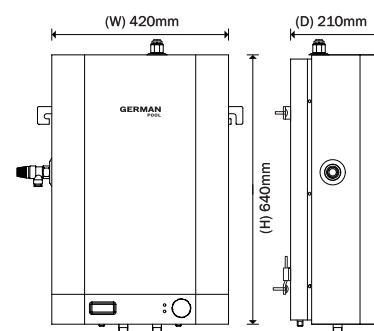
產品特點 Product Features



多點出水
Multi-point application

恆水節能花灑頭
Water-Saving Aerator
Showerhead

產品結構 Product Structure



簡潔出入水喉設計，安裝接駁容易，有效避免錯誤安裝
Simple water inlet and outlet design for easy and error-free installation.

優質進口配件 First-Rated Imported Components

2合1溫度調節器及超溫斷路器 2-in-1 Thermostat & Thermal Circuit Breaker (法國製造 Made in France)

溫度調節器自動恆溫，保持水溫在預設溫度，節省能源及配合個人的使用熱水習慣。超溫斷路器設定溫度上限為90°C。嶄新2合1設計更為簡潔耐用。

Thermostat automatically maintains at preset value to save energy and accommodate individual bathing habits. Thermal circuit breaker is set at a maximum temperature of 82°C. The advanced 2-in-1 design makes it more compact and durable.

超溫及超壓排放閥 Pressure & Temperature Relief Valves (P.T.V.) (意大利製造 Made in Italy)

超溫排放固定於90°C，或壓力排放於1,000kPa。

Water discharge at 90°C or 1,000kPa.

頂級不銹鋼內膽 Premium Stainless Steel Inner Tank (日本製造 Made in Japan)

頂級耐腐蝕日本特殊不銹鋼內膽，採用氬弧氬焊技術，確保防銹、耐壓，不受水質侵蝕。

Ultra-durable Japanese stainless steel inner tank assembled by argon arc welding technology to ensure the tank is resistant to rusting, high pressure and corrosion attack by impure water.

高效發熱管 Efficient Heating Elements

優質不銹鋼雙發熱管高效加熱，發揮最高導熱效能。

Dual high quality stainless steel heating elements ensure maximum thermal efficiency.

防倒流裝置 Anti-back Syphon Device

當無水供應時控制熱水器內的水不能排出。

Prevent hot water from being syphoned back to the supply pipe during water storage period.

節能保溫設計 Effective Insulation

完密噴注式保溫層，使用先進合成樹脂纖維材料，失溫程度最低、保持熱水溫度，節省電能。

Optimal thermal insulation is achieved by the polyurethane foam layer, which slows down water heat loss and conserves electricity.

溫度顯示器 Temperature Display

溫度顯示器方便查看熱水溫度。

Temperature display conveniently indicates the water temperature.

速熱式電熱水器 (中央型)

Rapid Fast Flow Electric Water Heater (Central Type)

GPU-6.5SSJ (JS/JB/JF)



GPU-6.5SSJ-JS



GPU-6.5SSJ-JB



GPU-6.5SSJ-JF



產品特點 Product Features



3 kW 功率



雙內膽
Double Inner Tanks



速熱式電熱水器
永久
內膽保用
LIFETIME WARRANTY FOR INNER TANKS



五層保險裝置
FIVE-TIER SAFETY DEVICE

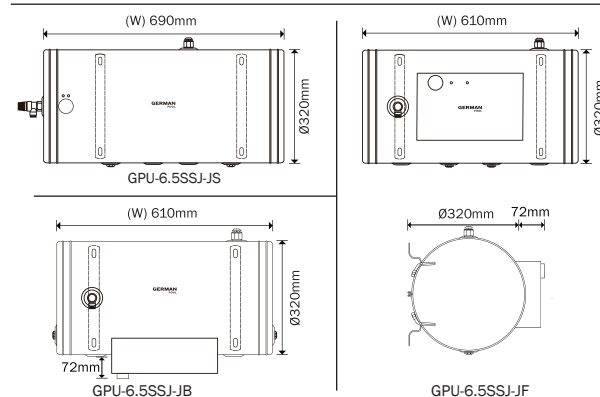


多點出水
Multi-point application



慳水節能花灑頭
Water-Saving Aerator
Showerhead

產品結構 Product Structure



簡潔入出水喉設計，安裝接駁容易，有效避免錯誤安裝
Simple water inlet and outlet design for easy and error-free installation.

優質進口配件 First-Rated Imported Components

2合1溫度調節器及超溫斷路器 2-in-1 Thermostat & Thermal Circuit Breaker (法國製造 Made in France)

溫度調節器自動恆溫，保持水溫在預設溫度，節省能源及配合個人的使用熱水習慣。超溫斷路器設定溫度上限為90°C。嶄新2合1設計更為簡潔耐用。

Thermostat automatically maintains at preset value to save energy and accommodate individual bathing habits. Thermal circuit breaker is set at a maximum temperature of 82°C. The advanced 2-in-1 design makes it more compact and durable.

超溫及超壓排放閥 Pressure & Temperature Relief Valves (P.T.V.) (意大利製造 Made in Italy)

超溫排放固定於90°C，或壓力排放於1,000kPa。

Water discharge at 90°C or 1,000kPa.

頂級不銹鋼內膽 Premium Stainless Steel Inner Tank (日本製造 Made in Japan)

頂級耐腐蝕日本特殊不銹鋼內膽，採用氬弧轉焊技術，確保防銹、耐壓，不受水質侵蝕。

Ultra-durable Japanese stainless steel inner tank assembled by argon arc welding technology to ensure the tank is resistant to rusting, high pressure and corrosion attack by impure water.

高效發熱管 Efficient Heating Elements

優質不銹鋼雙發熱管高效加熱，發揮最高導熱效能。

Dual high quality stainless steel heating elements ensure maximum thermal efficiency.

防倒流裝置 Anti-back Syphon Device

當無水供應時控制熱水器內的水不能排出。

Prevent hot water from being syphoned back to the supply pipe during water storage period.

節能保溫設計 Effective Insulation

密噴注式保溫層，使用先進合成樹脂纖維材料，失溫程度最低、保持熱水溫度，節省電能。

Optimal thermal insulation is achieved by the polyurethane foam layer, which slows down water heat loss and conserves electricity.

全港首創橫置設計 First Horizontal Rapid Water Heater In Hong Kong

按香港家居環境獨家打造，將經典垂直雙膽熱水器轉為橫置設計，為您提供額外3款選擇：內置電箱、前置電箱及底置電箱款式，完美配合浴室設計，靈活運用每寸空間。

German Pool revolutionizes electric water heater design once again by launching the first horizontal double inner tank rapid fast flow electric water heater in HK! Especially designed with HK's home environment in mind, GPU-6.5SSJ with its horizontal design and a choice of 3 styles of external thermostat box – built-in, front-installed and bottom-installed – offers more flexibility for installation.

五重保險* 安全加倍

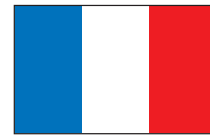
5-Tier* Fail-safe Features

第1重：自動恆溫設備

1st Tier: Automatic Thermostatic Control

使用者可隨時因應個人習慣而調校法國製恆溫器 (最高 $75\pm 3^{\circ}\text{C}$)。溫度選定後，若溫度達到預設之最高溫，電源會立即自動被切斷；相反，當水溫低於預設溫度，電源便會自動開啟。

Temperature can be adjusted according to user's preference (max. $75\pm 3^{\circ}\text{C}$) with the French-made thermostat. When the upper limit is reached, electricity would be cut off automatically; once the water temperature drops below the lower limit, power will be resumed automatically.



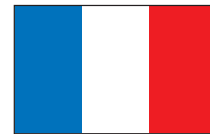
法國製造
Made in France

第2重：超溫斷路設備

2nd Tier: Thermal Circuit Breaker

內設法國製固定溫度斷路器 (最高溫度為 90°C)。若水溫達到 90°C 時，超溫斷路裝置會立即將所有電源切斷，以提醒使用者應找註冊維修技師檢查自動恆溫器，確保安全。

The built-in French-made thermal circuit breaker is set at 90°C . If water temperature reaches 90°C , power would be cut off automatically to remind users that a proper check-up should be conducted by an authorized technician to ensure safety.



法國製造
Made in France

第3重：超溫感應排放閥

3rd Tier: Temperature Relief Valve

當水溫達到 90°C 時，熱水器的意大利製造超溫感應排放閥門便會自動打開，以防止熱水爐因連續加熱而產生壓縮蒸氣。

When water temperature reaches 90°C , the Italian-made temperature relief valve will open automatically to prevent buildup of steam pressure caused by continuous heating on water in the inner tank.



意大利製造
Made in Italy

第4重：壓力感應排放閥

4th Tier: Pressure Relief Valve

熱水器爐膽加熱後水壓上限設定為 $1,000\text{kPa}$ (10 bar)。在不正常情況下來水壓力超越了指定壓力時，意大利製的壓力排放閥隨即自動打開閥門，將水排出。

註一：正常情況下，供水系統之來水水壓不能超過 500kPa (5 bar)，否則用戶須額外加裝減壓器。

註二：產品出廠前內膽測試壓力為 $1,200\text{kPa}$ (12 bar)。

Normal working pressure is set at $1,000\text{kPa}$ (10 bar). Under abnormal circumstances where the inner tank is subject to excessive pressure, the Italian-made pressure relief valve will open automatically to discharge water.

Note 1: Incoming pressure should not exceed 500kPa (5 bar) under normal working conditions. Otherwise, an extra pressure relief device must be installed.

Note 2: Each inner tank has been subject to a $1,200\text{kPa}$ (12 bar) pressure test prior to shipping.



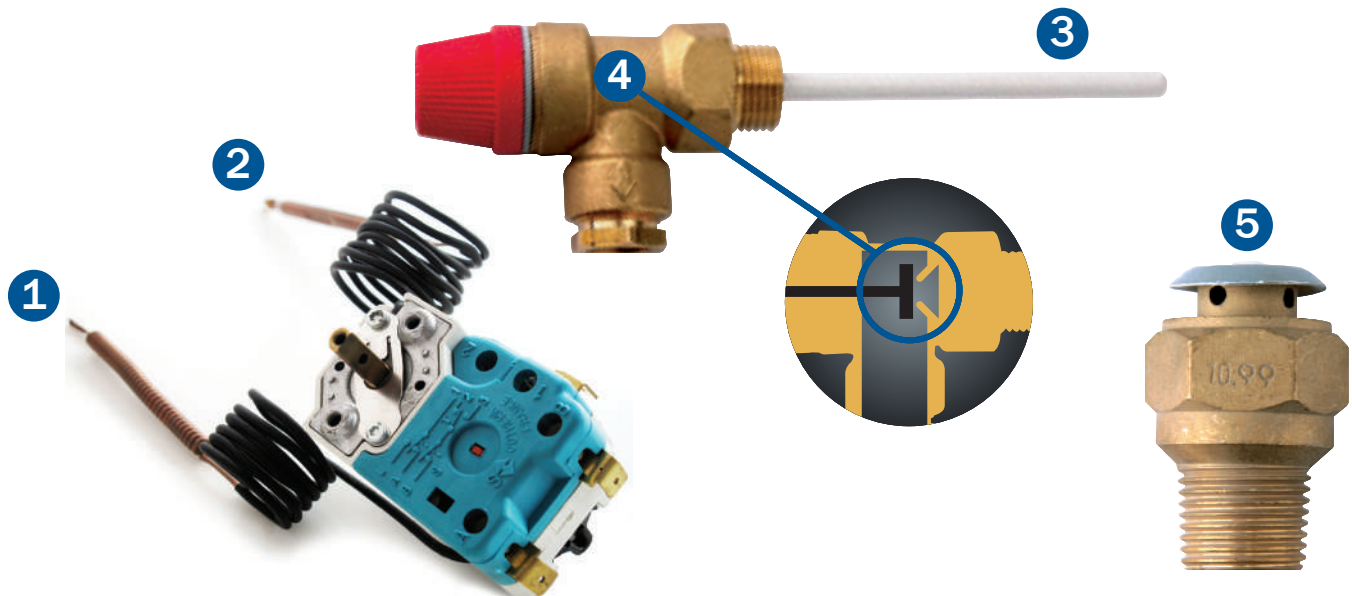
意大利製造
Made in Italy

第5重：防倒流裝置

5th Tier: Anti-back Syphon Device

熱水器設有防倒流裝置，當遇到無水供應情況時 (如供水系統故障)，防倒流安全裝置能有效防止爐內熱水產生回抽作用 (back syphon)，以免內膽結構受破壞，同時保證發熱管不因缺水而乾燒。

Anti-back syphon device prevents hot water from being syphoned back to the supply pipe during water shortage period. This can effectively protect the inner tank from damage and the heating element from dry-heating.



* 只限中央型 Only applies to central type

產品規格 (豁免強制性能源效益標籤)

Product Specifications (Exempted From Mandatory Energy Efficiency Labelling Scheme)

RAPID FAST FLOW ELECTRIC WATER HEATER 速熱式電熱水器系列						
Type 類形	Shower Type 花灑型	Shower Type 花灑型	Central Type 中央型	Central Type 中央型	Central Type 中央型	Shower Type 花灑型
Product Image 產品圖片						
Model 型號	GPU8-6SSL	GPNB-6SSL	GPU-6SSL	GPU-6.5SSJ-JS GPU-6.5SSJ-JB GPU-6.5SSJ-JF	GPU-6SSM	GPN-4SSL
Voltage / Frequency 電壓 / 頻率	220 V / 50 Hz			220 V / 50 Hz	220 V / 50 Hz	220 V / 50 Hz
Electric Power (kW) 功率	3kW	3kW	3kW	3kW	3kW	3kW
Product Dimensions (mm) 機身尺寸(毫米)	(H)640 (W)420 (D)210			(W) 690 (Ø) 320 (JS) (H) 372 (W) 610 (D) 320 (JB) (H) 320 (W) 610 (D) 372 (JF)	(H)740 (W)355 (D)175	(H)570 (W)355 (D)175
Capacity 容量	6 Gal. / 23 L			6.5 Gal. / 25 L	6 Gal. / 22 L	4 Gal. / 15 L
Net Weight 淨重	17 kg			16.5 kg (JS) 16.9 kg (JB) 16.7 kg (JF)	16.2 kg	14.8 kg
Net Weight: Full Tank 注水後重量	40 kg			41.5 kg (JS) 41.9 kg (JB) 41.7 kg (JF)	35.7 kg	31.4 kg
Working Pressure 使用壓力	0.6 MPa	0 MPa	0.6 MPa	0.6 MPa	0.6 MPa	0 MPa
Water Resistance 防水等級	IPX4			IPX4	IPX4	IPX4
Certifications 認證	IEC 60335-2-21: 2012 IEC 60335-1: 2013					
Complimentary Set 隨機附送	 恆水節能花灑頭 Water-Saving Aerator Showerhead			可調式花灑座 Adjustable Showerhead Holder		1.5米金屬花灑喉* 1.5m Metal Hose
						*GPU-6SSM不包含此配件 *GPU-6SSM does not include this accessory

產品規格及設計如有變更，恕不另行通知。產品外觀以實物為準。中英文版本如有出入，一概以中文版為準。最新版本以www.germanpool.com網上版為準。

安裝注意事項：所有速熱式電熱水器(熱水器)必須由經認可的專業人員安裝；整個安裝工程必須由這名人員全權負責。每部熱水器安裝手冊內的指示必須嚴格遵守。電工必須遵守適用標準和安裝規定，並確保安裝符合當地所有相關法規、供電和供水公司規定及安全規例。

Specifications and designs are subject to change without prior notice. The appearance of the actual product shall prevail. If there are any inconsistencies or ambiguities between the English version and the Chinese version, the Chinese version shall prevail. Refer to www.germanpool.com for the most up-to-date version.
Installation Notice: All electric water heaters must be installed by qualified technicians only, who will assume responsibility for the entire heater installation. Respective installation manuals of each individual heater must be strictly observed without compromises. Local Safety Regulations must also be observed - this is the sole responsibility of the executing technician.



專利雙膽設計
(專利號：ZL 2016 2 1143463.4)
Patented Double Inner Tanks Design
(Patent No.ZL 2016 2 1143463.4)



首創永久內膽保用、兩年電器零件保用證明
及質量證明書，保證質量。
All water heaters come with a quality passport
with lifetime warranty for the inner tanks and
2-year warranty for electrical parts.

德國寶全線熱水器系列

GERMAN POOL WATER HEATER SERIES

即熱式電熱水器 - 豪華系列
Instantaneous Electric Water Heater
- Deluxe Series



即熱式電熱水器 - 迷你系列
Instantaneous Electric Water Heater
- Mini Series



即熱式電熱水器 - 纖巧系列
Instantaneous Electric Water Heater - Compact Series



德國原廠製造
MADE IN GERMANY

速熱式電熱水器
Rapid Fast Flow Electric Water Heater



儲水式電熱水器 (花灑型)
Storage Water Heater
(Shower Type)



儲水式電熱水器 (中央型)
Storage Water Heater (Central Type)



數碼恆溫氣體熱水器
Instantaneous Gas Water Heater



太陽能熱水器
Solar Water Heater





德國寶 (香港) 有限公司 GERMAN POOL (HONG KONG) LIMITED

中國香港 Hong Kong, China

銅鑼灣Fashion Walk京士頓街9號
Fashion Walk, 9 Kingston Street,
Causeway Bay
T. +852 3110 2030
☎ +852 6530 5963

士瓜灣新寶工商中心地舖
Upper G/F, Newport Centre,
Tokwawan
T. +852 2773 2828
☎ +852 9387 2380

九龍灣MegaBox L5-5舖
Shop L5-5, MegaBox,
Kowloon Bay
T. +852 3907 0356
☎ +852 9018 8648

中國澳門 Macau, China

澳門青洲大馬路(青洲新路)
515號美居廣場第二期1樓A座
1 Andar A, Edif. Mei Kui
Kuong Cheong Fase 2,
515 Av. do Conselheiro Borja
T. +853 2875 2699

中國內地 Mainland China

佛山市順德區大良街道五沙新翔路
Xinxiang Road, Wusha, Daliang,
Shunde District, Foshan City
T. +86 757 2219 6888



香港名牌十年成就獎



香港名牌



廣東名牌

更多產品資訊



© 版權所有。未經本公司授權，不得翻印、複製或使用本單張作任何商業用途。
© All rights reserved. Copying, reproducing or using the contents of this leaflet is not allowed without prior authorization from German Pool.

www.germanpool.com



德國寶 (香港) German Pool HK



德国宝

