

適合所有導磁鍋具

Compatible With All Ferromagnetic Cookware

電磁爐內的線圈通電後產生磁場，經含鐵成份的鍋具產生粒子磨擦而加熱，因此，所有含鐵導磁鍋具一律適用，如使用平底及較厚的鍋具，則可達至較佳的傳熱效果。

The cooker works with all types of metal pots and pans with ferromagnetic induction capability. For optimal heat transmission, use thick metal cookware with a flat base.



磁性不銹鋼鍋具
Ferromagnetic
Stainless Steel



磁性鐵製鍋具
Ferromagnetic
Iron



磁性合金鍋具
Ferromagnetic
Alloy Metal



磁性鋁製鍋具
Ferromagnetic
Aluminium



磁性鐵製琺瑯鍋具
Ferromagnetic
Enamel



鑄鐵鍋具
Cast
Iron

滑動觸控火力調節 操作更簡單

Slider Control Is Super Easy To Use

配備全新滑動觸控火力調節，只需簡單左右滑動即可輕鬆調校火力或時間，相比傳統按鍵式控制面板，省卻連續重複按鍵的麻煩，極致方便，烹飪更得心應手。

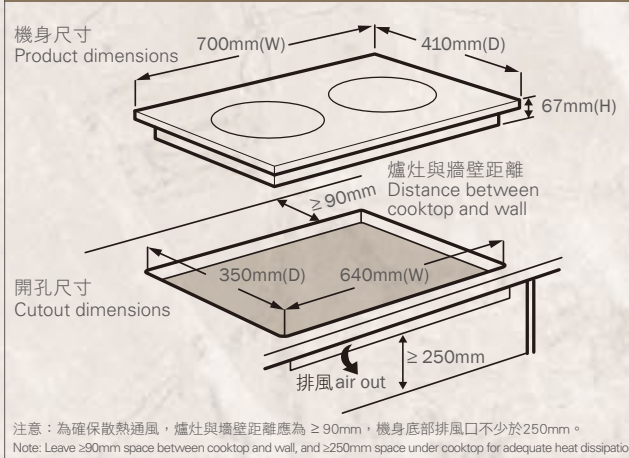
Simply swipe your finger along the Slider Control to adjust cooking power or timer. No more repetitive pressing of keys to get the cooking power you want, just smooth gliding all the way.



技術規格 Technical Specifications

型號 Model	GIC-228DB	GIC-252DB
電壓/頻率 Voltage/Frequency	220 - 240 V/ 50 Hz	220 - 240 V/ 50 Hz
功率(最大) / Power (Max)	2,800W	5,200W
電流 Electric current	12.7A	11.8A + 11.8A
爐頭數目 No. of hobs	2	2
機身尺寸 Product dimensions	高(H)	67 mm
	闊(W)	700 mm
	深(D)	410 mm
嵌入式開孔尺寸 Cutout dimensions	高(H)	≥ 250 mm
	闊(W)	640 mm
	深(D)	350 mm
淨重 Net weight	10.8 kg	11.1 kg

安裝圖 Installation Diagram



產品規格及設計如有變更，恕不另行通知。中英文版本如有出入，一概以中文版為準。最新版本以 www.germanpool.com 網上版為準。
Specification is subject to change without prior notice. If there is any inconsistency or ambiguity between the English and Chinese versions, the Chinese version shall prevail. Refer to www.germanpool.com for the most updated version.

德國寶(香港)有限公司 GERMAN POOL (HONG KONG) LIMITED

中國香港 Hong Kong, China

銅鑼灣 FASHION WALK 京士頓街9號 T. +852 6530 5963
Fashion Walk, 9 Kingston Street, Causeway Bay T. +852 3110 2030

土瓜灣新寶工商中心地舖 T. +852 9387 2380
Upper G/F, Newport Centre, Tokwawan T. +852 2773 2828

九龍灣 MegaBox L5-5舖 T. +852 9018 8648
Shop L5-5, MegaBox, Kowloon Bay T. +852 3907 0356



更多產品資訊



© 版權所有。未獲本公司授權，不得翻印、複製或使用本單張作任何商業用途。
© All rights reserved. Copying, reproducing or using the contents of this leaflet is not allowed.



開心相伴 40 載

中國內地 Mainland China

佛山市順德區大良街道五沙新翔路8號 T. +86 757 2219 6888
8 Xinxiang Road, Wusha, Daliang,
Shunde District, Foshan City

中國澳門 Macau, China
澳門青洲大馬路(青洲新街)515號 T. +853 2875 2699
美居廣場第二期1樓A座
1 Andar A, Edif. Mei Kui Kuong Cheong
Fase 2, 515 Av. do Conselheiro Borja

嵌入式雙頭電磁爐

GIC-228DB | GIC-252DB



* 5200W型號配備2條13A電源線
GIC-252DB(5,200W) has 2 separate 13A power cords



革命性全機優化設計 榮獲一級能源標籤

Revolutionary Full Design Optimisation Awarded Grade 1 Energy Efficiency

德國寶全新嵌入式雙爐頭電磁爐，全機經革命性優化升級，線圈、主板等所有零件皆重新設計，榮獲機電署一級能源標籤認證，節能環保。集先進磁感應發熱科技與嶄新智能火力調控技術，強大火力不但能媲美明火，溫度控制更比一般燃氣煮食爐更準確穩定，是時尚環保廚房首選。

The all new Built-in Double Hob Induction Cookers GIC-228DB and GIC-252DB with revolutionary coil and mainboard redesign, utilize advanced electromagnetic induction and smart power-control technology to provide stable and stronger heat than open-flame cooking, and are certified eco-friendly and energy-saving with Hong Kong EMSD Class 1 Energy Efficiency Label.

環保節能

1級
能源標籤



5,200W

GIC-252DB (5,200W)

配備2條獨立電源線，最高火力達5,200W，兩個電磁爐頭可同時達到2,600W超強火力；同時使用兩邊爐頭進行爆炒，或一邊爆炒一邊油炸皆可。

Equipped with 2 separate electrical cords providing 2,600W to each hob (totalling 5,200W maximum power output), powerful enough to stir fry on both hobs simultaneously!



2,800W

GIC-228DB (2,800W)

配備1條電源線，兩個電磁爐頭智能分配輸出2,800W火力：以一邊爐頭全功率輸出猛火爆炒，或兩邊爐頭同時以中火烹調皆可，火力自由調校，靈活方便。

One electrical cord shares 2,800W power output between two induction hobs, strong enough for power stir-frying on one hob and stewing on the other, or both hobs cooking on medium heat at the same time.

貼心設計

Thoughtful Design



德國耐高溫陶瓷玻璃
German-Made Glass Ceramic
嚴選德國SCHOTT CERAN®陶瓷玻璃面板，耐熱可高達750°C，堅固耐用。German-made SCHOTT CERAN® glass ceramic is durable, and can resist high temperature up to 750°C.



童鎖功能
Child Lock Function

啟動童鎖後按鍵無效，避免兒童意外操作，清潔面板時亦倍添方便。When locked, panel becomes inoperable to prevent children accidentally tripping the keys; it also makes cleaning safer.



輕觸式控制面板
Touch Control Panel

設計時尚，輕觸調校火力和時間，更特設快速加熱鍵，方便易用。Touchscreen panel is sensitive and highly precise; and with no knobs or grooves, it is super easy to clean.



SuperBoost功能
SuperBoost Function

一按瞬間達至最大火力，毋需久等層層遞進，極具效率，爆炒必備。One tap turns the designated hob to the highest power, ideal for fast heating, especially Chinese-style stir frying.



3小時定時烹調
3-hour Timer

簡單設置1-180分鐘超長定時，適合煲老火湯或燜牛腩等長時間烹調。Simply set the timer, and hob will automatically turn off when time is up; ideal for slow stewing.