

嵌入式雙門無霜雪櫃 2-DOOR BUILT-IN REFRIGERATOR | REF-365



只有Only
54cm

超慳位Push-in設計，僅闊54cm，
無需裝嵌，適合各種廚房。
Ultra-slim "Push-in" Design with a width of only
54cm, no installation required, suitable
for various kitchen types.



輕觸式溫度控制 Touch Control

4檔溫度調節，因應需要調校2°C - 8°C
4 Levels of temperature adjustment (2°C - 8°C).



靈活層架 Flexible Shelf

隨意置於上/下層 方便貼心
Can be placed on the upper or lower level



實用急凍室 Vegetable Drawer

可整個移除 彈性使用
To be installed or removed at your will

先進無霜製冷保鮮技術 自動除霜

配合冷藏室內專用風扇，冷卻保鮮食物同時有效防止食物水份流失。

266公升總冷藏容量

足夠同時存放飲品，食物和水果，滿足家庭的各種需要。

雙向左右門鉸設計 靈活配合空間

因應家居的實際環境，將門鉸設置在左或右邊，倍添方便。

可調式玻璃層架 乾淨堅固

將層架置於不同位置，輕鬆擺放各大小物品。

榮獲香港一級能源效益標籤 環保慳電

環保之餘，幫您慳盡電費。

SensoTech節能控溫技術

自動檢測雪櫃內溫度，微電腦精準調控，以提供最合適的冷藏及急凍溫度，有效節能。

Automatic Defrosting System

Advanced defrosting technology automatically prevents the formation of frost and regulates the humidity in the ideal range.

266L Total Capacity

Sufficient space to store multiple items, serving your different needs.

Reversible-hinge Door Suitable for Any Kitchen Layout

Install the door hinges on left or right based on the interior, enjoy extra convenience.

Adjustable Glass Shelf - Durable and Easy to Clean

Adjust the shelf and store items of various shapes and sizes with ease.

Eco-friendly - Attained Grade 1 Energy Efficiency Label

Contributing to the environment while saving on energy bills.

SensoTech Temperature Monitoring Technology

The microcomputer automatically and precisely adjusts the temperature for the best cooling and freezing effects.

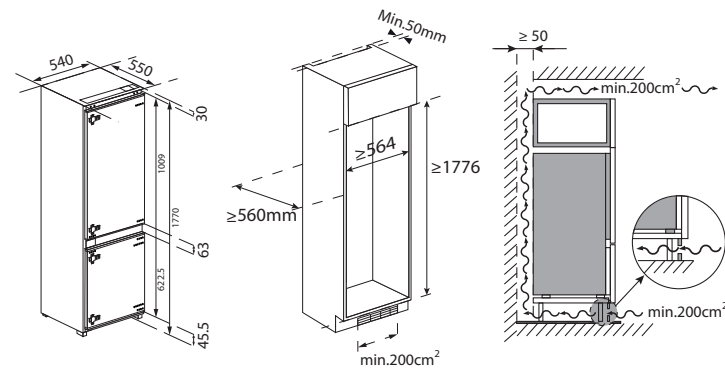
嵌入式雙門無霜雪櫃 2-DOOR BUILT-IN REFRIGERATOR | REF-365

光亮節能照明系統
Bright and Energy Efficient Lighting System

時尚空間設計
Spacial in Fashion Design



慳位設計，適合室內空間較小的精緻家居
Ultra-slim Space-saving Design for Chic Compact Homes



尺寸 (mm)
Dimensions (mm)

以上數字只供參考，產品安裝尺寸須根據實際環境而略作調整。
Above figures are for reference only. Actual installation dimensions may vary depending on room settings.

規格 Specifications

型號 Model	REF-365
電壓 Voltage / 頻率 Frequency	220-240 V / 50Hz
功率 (最大) Power (Max)	85 W
顏色 Colour	白 White
機身尺寸 Dimensions	(H) 1770 (W) 540 (D) 550 mm
香港能源效益標籤 Hong Kong Energy Efficiency Label	一級 Grade 1
總容量 Gross Capacity	266 L
淨容量 Net Capacity	241 L
淨容量：冷藏庫 Net Capacity: Refrigerator	182 L
淨容量：急凍庫 Net Capacity: Freezer	59 L
壓縮機數量 Number of Compressors	1
可轉換方向機門 Reversible Door	✓
可調節機腳 Adjustable Footing	✓
保養年期 Warranty Term	1 Year
冷藏庫設備 Refrigerator Accessories	
冷凍系統 Refrigerator Cool Distribution System	獨立無霜冷凍系統 Independent No Frost System
內部照明 Interior Lighting	✓
可調節層架 Adjustable Shelves	1
蔬菜保鮮格 Vegetable Crisper Drawers	1
雞蛋架 Egg Rack	1x6 (格 slots)

*香港能源效益標籤標示的保鮮格容積。 Fresh food volume displayed on Hong Kong Energy Efficiency Label.
產品規格及設計如有變更，恕不另行通知，最新版本請瀏覽www.germanpool.com。
Specifications are subject to change without prior notice. Refer to www.germanpool.com for the most up-to-date version.

嵌入式電器系列 Built-In Series



德國寶 (香港) 有限公司
GERMAN POOL (HONG KONG) LIMITED

香港 Hong Kong

土瓜灣新寶工商中心地舖 Upper G/F, Newport Centre, Tokwawan

+852 9387 2380
T. +852 2773 2828

九龍灣MegaBox L5-5舖 Shop L5-5, MegaBox, Kowloon Bay

+852 9018 8648
T. +852 3907 0356

灣仔駱克道369置家中心 22 Morrison Hill Road, Wanchai

+852 6530 5963
T. +852 3110 2030

中國 China

佛山市順德區 大良街道五沙新翔路 Xinxiang Road, Wusha, Daliang, Shunde District, Foshan City

T. +86 757 2219 6888

澳門 Macau

Edifício Industrial Pou Fung, R. de Francisco Xavier Pereira

T. +853 2875 2699

