

GERMAN
POOL



German Pool Built-in Kitchen Appliances Series

德國寶廚房電器
嵌入式系列



目錄 Table of Contents

03 抽油煙機 Range Hood

- 03 - 煙導式抽油煙機 Chimney Type
- 06 - 台式抽油煙機 Wall-mount type
- 06 - 抽拉式抽油煙機 Slide-out Type



07 煮食爐 Cooktop

- 07 - 嵌入式雙頭電磁爐 Built-In Double Hob Induction Cooktop
- 08 - 嵌入式全區域電磁爐 Built-In All Zone Flex Induction Cooktop
- 08 - 嵌入式單頭電磁爐 Built-In Single Hob Induction Cooktop
- 08 - 座檯式雙頭電磁爐 Free-Standing Double Hob Induction Cooktop
- 08 - 座檯式單頭電磁爐 Free-Standing Single Hob Induction Cooktop
- 09 - 嵌入式雙頭電磁電陶爐 Built-In Double Hob Induction/Ceramic Hybrid Cooktop
- 10 - 嵌入式電陶爐 Built-In Single Hob Ceramic Cooktop
- 10 - 座檯式電陶爐 Free-Standing Single Hob Ceramic Cooktop
- 10 - 嵌入式氣體煮食爐 Built-In Gas Cooktop



12 多功能蒸 / 烤 / 焗爐 Multifunctional Oven

- 12 - 嵌入式多功能蒸烤焗爐 Built-In Multifunctional Steam & Grill Oven
- 12 - 嵌入式多功能蒸烤焗爐 Built-In Multifunctional Steam & Grill Oven
- 13 - 座檯式多功能蒸烤焗爐 Free-Standing Multifunctional Steam & Grill Oven
- 14 - 嵌入式烤焗爐 Built-in Grill Oven



12 暖碟櫃 Dish Warmer



15 微波爐 Microwave Oven



16 消毒碗櫃及洗碗碟機 Dish Sterilizer & Dishwasher

- 16 - 嵌入式消毒碗櫃 Built-In Ozone Dish Sterilizer
- 16 - 嵌入式洗碗碟機 Built-in Dishwasher



17 雪櫃及洗衣機 Refrigerator & Washing Machine

- 17 - 嵌入式雙門無霜雪櫃 2-Door Built-In Refrigerator
- 17 - 纖巧單門雪櫃 Single-Door Refrigerator
- 17 - 前置式洗衣機 Front Loader Washing Machine



18 超慳位系列 Slim Line Series



煙導式抽油煙機 Chimney Type



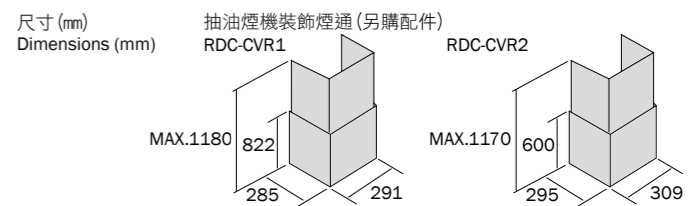
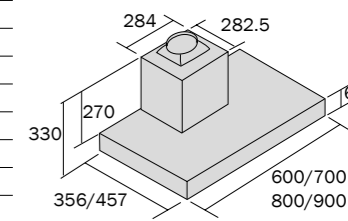
手勢操控技術 Gesture Control
2800轉 R.P.M.
直流無刷打機 Brushless Direct Current Motor
25級風速
超頻模式 Turbo Boost
2年摩打保用 Year Warranty On Motor

RDC系列Series

- 超級變頻數碼BLDC摩打
- 25級風速選擇
- 摩打可達2800轉
- 排風量可達(m³/hr): 1000
- 排氣遇阻力自動增速，不受外間風力影響
- 手勢開機及控制技術
- 全港首創實時RPM轉速顯示
- 自動電熱除油清潔功能
- 四種闊度選擇：600/700/800/900 mm
- 特設轉換頭，適用於4吋、5吋及6吋排氣喉
- BLDC Super inverter motor
- 25 wind speeds
- 2800 R.P.M. turbo speed motor
- Maximum Exhaust Volume (m³/hr): 1000
- Auto speed-up when met with resistance
- Gesture Control Technology
- First real-time RPM inverter display in Hong Kong
- Self-cleaning and de-greasing function
- Available in 4 widths: 600/700/800/900 mm
- Applicable to exhaust outlets of ø 4", ø 5" & ø 6"

電壓 Voltage / 頻率 Frequency	220-240 V / 50-60 Hz
功率 Power (電機 Motor / 燈 Light)	300 W / 2*1.5W
摩打轉速 Motor Speed (R.P.M.)	2,800+
排風口直徑 Exhaust Outlet Diameter (mm/inch)	102 / 4", 125 / 5", 152 / 6"

	W (mm)	D (mm)	H (mm)	淨重 Net Weight
RDC-6356	600	356	330	9 kg
RDC-7356	700	356	330	10.1 kg
RDC-8356	800	356	330	11.2 kg
RDC-9356	900	356	330	12.3 kg
RDC-6457	600	457	330	9.5 kg
RDC-7457	700	457	330	10.6 kg
RDC-8457	800	457	330	11.7 kg
RDC-9457	900	457	330	12.8 kg



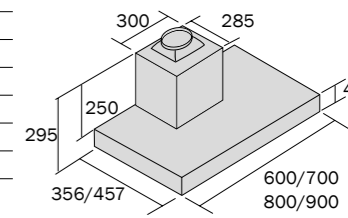
手勢操控技術 Gesture Control
2800轉 R.P.M.
智能感溫啟動 Automated Thermal Activation
龍捲風 Tornado Technology
台灣製造 Made in Taiwan
2年摩打保用 Year Warranty On Motor

RHS系列Series

- 摩打可達2800轉
- 排風量可達(m³/hr): 900
- 專利龍捲風增速技術遇阻自動增速
- 55°C智能感溫啟動功能
- Gesture Control手勢操控技術
- 導向式整流技術，全方位除油煙
- 四種闊度選擇：600/700/800/900 mm
- 2800 R.P.M. turbo speed motor
- Maximum Exhaust Volume (m³/hr): 900
- Patented Super Tornado auto-accelerating engine
- 55°C Smart Sense Auto Thermal Activation
- Gesture Control Technology
- Directional Current Rectification
- Available in 4 widths: 600/700/800/900 mm

電壓 Voltage / 頻率 Frequency	220-240 V / 50 Hz
功率 Power (電機 Motor / 燈 Light)	220-250 W / 6 W
摩打轉速 Motor Speed (R.P.M.)	2800
排風口直徑 Exhaust Outlet Diameter (mm/inch)	125 / 5", 152 / 6"

	W (mm)	D (mm)	H (mm)	淨重 Net Weight
RHS-6328	600	356	295	10.1 kg
RHS-7328	700	356	295	10.6 kg
RHS-8328	800	356	295	11.1 kg
RHS-9328	900	356	295	11.8 kg
RHS-6428	600	457	295	11 kg
RHS-7428	700	457	295	11.8 kg
RHS-8428	800	457	295	12.6 kg
RHS-9428	900	457	295	13.5 kg



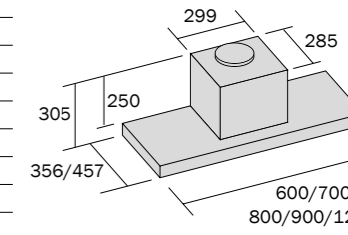
智能感溫啟動 Automated Thermal Activation
龍捲風 Tornado Technology
台灣製造 Made in Taiwan
2800轉 R.P.M.
2年摩打保用 Year Warranty On Motor

RHM系列Series

- 摩打可達2800轉
- 排風量 (m³/hr): 1000
- 專利龍捲風增速技術遇阻自動增速
- 55°C智能自動感溫啟動功能
- 創新四面入風摩打及獨特底板細孔設計
- 摩打保用2年
- 五種闊度選擇：600/700/800/900/1200 mm
- 特設轉換頭，適用於4吋、5吋及6吋排氣喉
- 2800 R.P.M. turbo-speed motor
- Maximum Exhaust Volume (m³/hr): 1000
- Patented Super Tornado auto-accelerating engine
- 55°C Smart Sense Auto Thermal Activation
- 4 air inlet motor & advanced panel hole design
- 2-year warranty on motor
- Available in 5 widths: 600/700/800/900/1200 mm
- Applicable to exhaust outlets of ø 4", ø 5" & ø 6"

電壓 Voltage / 頻率 Frequency	220-240 V / 50-60 Hz
功率 Power (電機 Motor / 燈 Light)	380-420 W / 2*3W
摩打轉速 Motor Speed (R.P.M.)	2800
排風口直徑 Exhaust Outlet Diameter (mm/inch)	102 / 4", 125 / 5", 152 / 6"

	W (mm)	D (mm)	H (mm)	淨重 Net Weight
RHM-6328S	600	356	305	12.5 kg
RHM-7328S	700	356	305	13 kg
RHM-8328S	800	356	305	13.5 kg
RHM-9328S	900	356	305	14.2 kg
RHM-6428S	600	457	305	13.4 kg
RHM-7428S	700	457	305	14.2 kg
RHM-8428S	800	457	305	15 kg
RHM-9428S	900	457	305	15.9 kg
RHM-L428S	1200	457	305	19 kg



* 預約上門度尺服務，請聯絡德國寶顧客服務熱線+852 2773 2828或電郵kitchen.tokwawan@germanpool.com或whatsapp +852 9387 2380

* For on-site measurement or installation service, please contact our Customer Service Hotline+852 2773 2828 or Email: kitchen.tokwawan@germanpool.com or Whatsapp +852 9387 2380

* 本目錄中的所有資料僅供參考，如有錯漏以廠方生產的規格為準。產品規格及設計如有變更，恕不另行通知。
* All information in this catalogue is for reference only. If there are any errors or omissions, the specifications produced by the factory shall prevail. Specifications are subject to change without prior notice.

煙導式抽油煙機 Chimney Type



GPR-I900/I1200

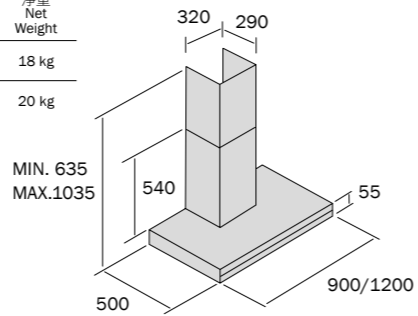
- 排風量可達(m³/hr): 1200
- 3段風速選擇
- 易拆式鋁質過濾網
- 輕觸式設計
- 兩種闊度選擇：900/1200 mm
- Maximum Exhaust Volume (m³/hr): 1200
- 3-speed extraction force
- Detachable aluminium filter
- Touchscreen panel
- Available in 2 widths: 900/1200 mm

歐洲設計及製造
Made in Europe

電壓 Voltage / 頻率 Frequency	220-240 V / 50 Hz		
功率 Power (電機 Motor / 燈 Light)	247 W / 2*3.5W		
排風口直徑 Exhaust Outlet Diameter (mm/inch)	125 / 5", 152 / 6"		

	W (mm)	D (mm)	H (mm)	淨重 Net Weight
GPR-I900	900	500	635 - 1035	18 kg
GPR-I1200	1200	500	635 - 1035	20 kg

尺寸 (mm)
Dimensions (mm)



煙導式抽油煙機 Chimney Type



BOX

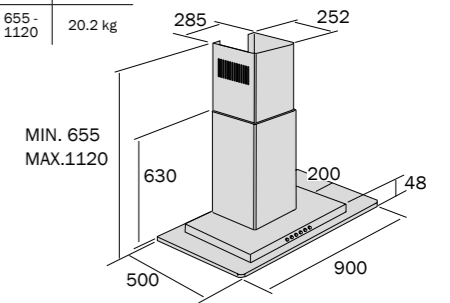
- 排風量可達(m³/hr): 800
- 3種風速選擇
- 亮麗玻璃罩設計
- 鋁質過濾板，易拆易洗
- 闊：900 mm
- Maximum Exhaust Volume (m³/hr): 800
- 3-speed extraction force
- Contemporary glass panel design
- Aluminium grease filtering panels
- Width: 900 mm

意大利製造
Made in Italy

電壓 Voltage / 頻率 Frequency	220-240 V / 50 Hz		
功率 Power (電機 Motor / 燈 Light)	250 W / 2*20W		
排風口直徑 Exhaust Outlet Diameter (mm/inch)	125 / 5", 152 / 6"		

	W (mm)	D (mm)	H (mm)	淨重 Net Weight
BOX	900	500	655 - 1120	20.2 kg

尺寸 (mm)
Dimensions (mm)



GPR-S700L/S900L

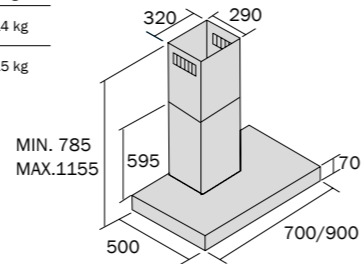
- 排風量可達(m³/hr): 1020
- 3段風速選擇
- 易拆式鋁質過濾網
- 輕按式簡易按鈕設計
- 兩種闊度選擇：700/900 mm
- Maximum Exhaust Volume (m³/hr): 1020
- 3-speed extraction force
- Detachable aluminium filter
- Soft-touch push buttons
- Available in 2 widths: 700/900 mm

歐洲設計及製造
Made in Europe

電壓 Voltage / 頻率 Frequency	220-240 V / 50 Hz		
功率 Power (電機 Motor / 燈 Light)	257 W / 2*3.5W		
排風口直徑 Exhaust Outlet Diameter (mm/inch)	125 / 5", 152 / 6"		

	W (mm)	D (mm)	H (mm)	淨重 Net Weight
GPR-S700L	700	500	785 - 1155	14 kg
GPR-S900L	900	500	785 - 1155	15 kg

尺寸 (mm)
Dimensions (mm)



H12

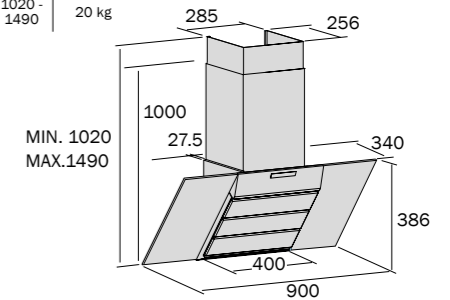
- 排風量可達(m³/hr): 1000
- 4種風速選擇
- 輕觸式設計
- 配備玻璃罩，時尚優雅
- 闊：900 mm
- Maximum Exhaust Volume (m³/hr): 1000
- 4-speed extraction force
- Touchscreen panel
- Contemporary glass panel design
- Width: 900 mm

意大利製造
Made in Italy

電壓 Voltage / 頻率 Frequency	220-240 V / 50 Hz		
功率 Power (電機 Motor / 燈 Light)	250 W / 2*20W		
排風口直徑 Exhaust Outlet Diameter (mm/inch)	125 / 5", 152 / 6"		

	W (mm)	D (mm)	H (mm)	淨重 Net Weight
H12	900	340	1020 - 1490	20 kg

尺寸 (mm)
Dimensions (mm)



GPR-GY900L

- BLDC直流無刷摩打
- 排風量可達(m³/hr): 1200
- 4種風速選擇
- 多款控制面板設計
- 闊：900 mm
- BLDC Brushless Direct Current Motor
- Maximum Exhaust Volume (m³/hr): 1200
- 4-speed extraction force
- Multi control panel
- Width: 900 mm

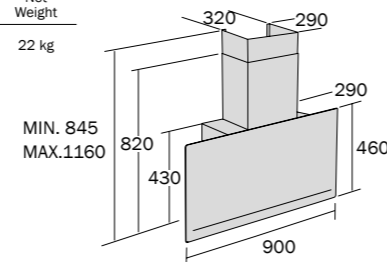
DC 直流無刷摩打
Brushless Direct Current Motor
渦輪模式
Turbo Mode

歐洲設計及製造
Made in Europe

電壓 Voltage / 頻率 Frequency	220-240 V / 50 Hz		
功率 Power (電機 Motor / 燈 Light)	133.5 W / 1*3.5W		
排風口直徑 Exhaust Outlet Diameter (mm/inch)	125 / 5", 152 / 6"		

	W (mm)	D (mm)	H (mm)	淨重 Net Weight
GPR-GY900L	900	290	845 - 1160	22 kg

尺寸 (mm)
Dimensions (mm)



INCANTO

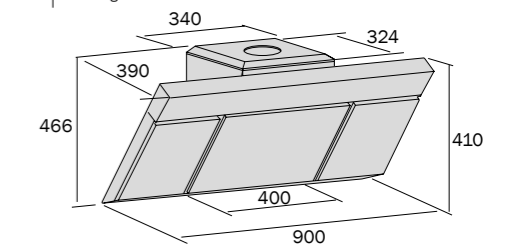
- 排風量可達(m³/hr): 1000
- 4種風速選擇
- 輕觸式設計
- 創新傾側式超薄機身
- 闊：900 mm
- Maximum Exhaust Volume (m³/hr): 1000
- 4-speed extraction force
- Touchscreen panel
- Innovative inclined slim design
- Width: 900 mm

意大利製造
Made in Italy

電壓 Voltage / 頻率 Frequency	220-240 V / 50 Hz		
功率 Power (電機 Motor / 燈 Light)	250 W / 3*20W		
排風口直徑 Exhaust Outlet Diameter (mm/inch)	125 / 5", 152 / 6"		

	W (mm)	D (mm)	H (mm)	淨重 Net Weight
INCANTO	900	390	466	19.2 kg

尺寸 (mm)
Dimensions (mm)



GPR-DL900L

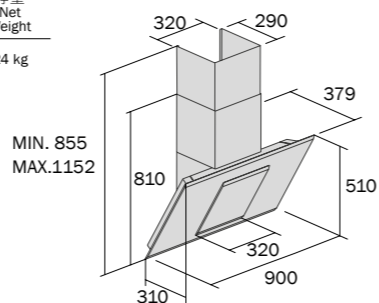
- 排風量可達(m³/hr): 1200
- 4種風速選擇
- 創新傾側式超薄機身
- 鋁質過濾板，易拆易裝
- 輕觸式設計
- 闊：900 mm
- Maximum Exhaust Volume (m³/hr): 1200
- 4-speed extraction force
- Innovative inclined slim design
- Aluminium grease-filtering panels
- Touchscreen panel
- Width: 900 mm

歐洲設計及製造
Made in Europe

電壓 Voltage / 頻率 Frequency	220-240 V / 50 Hz		
功率 Power (電機 Motor / 燈 Light)	207 W / 2*3.5W		
排風口直徑 Exhaust Outlet Diameter (mm/inch)	125 / 5", 152 / 6"		

	W (mm)	D (mm)	H (mm)	淨重 Net Weight
GPR-DL900L	900	379	855 - 1152	24 kg

尺寸 (mm)
Dimensions (mm)



ISOLA CILINDRO

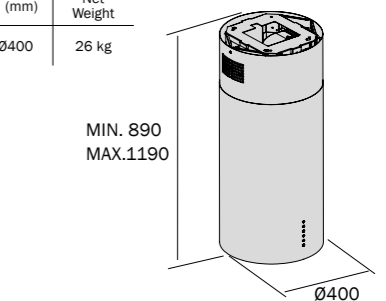
- 排風量可達(m³/hr): 1000
- 4種風速選擇
- 輕按式LED指示燈按鍵
- 15分鐘延遲關機功能
- 闊 (直徑)：400 mm
- Maximum Exhaust Volume (m³/hr): 1000
- 4-Speed Extraction Force
- LED Soft Touch Control
- 15 min delayed shut-off function
- Width (Diameter): 400 mm

意大利製造
Made in Italy

電壓 Voltage / 頻率 Frequency	220-240 V / 50 Hz		
功率 Power (電機 Motor / 燈 Light)	250 W / 2*20W		
排風口直徑 Exhaust Outlet Diameter (mm/inch)	125 / 5", 152 / 6"		

	W (mm)	D (mm)	H (mm)	淨重 Net Weight
ISOLA CILINDRO	890 - 1190	Ø400	Ø400	26 kg

尺寸 (mm)
Dimensions (mm)



台式抽油煙機 Wall-mount type



WRZ-723/923

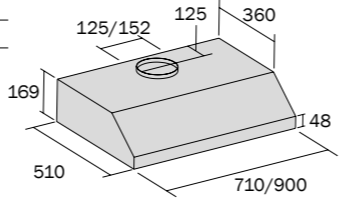
- 摩打可達2300轉
- 排風量可達(m³/hr): 1000
- 專利龍捲風增速技術遇阻自動增速
- 自動智能感溫啟動
- 導向式整流技術，全方位抽走油煙
- 自動電熱除油，清潔極方便
- 兩種闊度選擇：710/900 mm
- 2300 R.P.M. high speed motor
- Maximum exhaust Volume (m³/hr): 1000
- Patented Super Tornado auto-accelerating engine
- Intelligent "Thermo-Sense" auto start
- Directional current rectification
- Auto heat cleaning
- Available in 2 widths: 710/900 mm

智能感溫 Thermo Sense
龍捲風 增速技術 Tornado Technology
台灣製造 Made in Taiwan
5年摩打保用 Year Warranty On Motor

電壓 Voltage / 頻率 Frequency	220-240 V / 50 Hz			
功率 Power (電機 Motor / 燈 Light)	350 W / 2*3W			
摩打轉速 Motor Speed (R.P.M.)	2300			
排風口直徑 Exhaust Outlet Diameter (mm/inch)	125 / 5", 152 / 6"			

	W (mm)	D (mm)	H (mm)	淨重 Net Weight
WRZ-723	710	510	169	15.5 kg
WRZ-923	900	510	169	16.5 kg

尺寸 (mm)
Dimensions (mm)



TOT-623/723/823/923

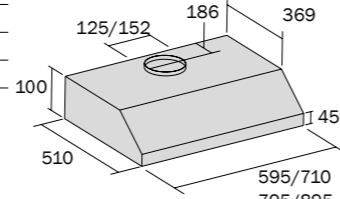
- 摩打可達2300轉
- 排風量可達(m³/hr): 900-1000
- 首創100 mm超薄不銹鋼機身
- 專利龍捲風增速技術遇阻自動增速
- 「低速檔靜音」模式特別省電寧靜
- 易拆式設計方便清潔
- 四種闊度選擇：595/710/795/895 mm
- 2300 R.P.M. high speed motor
- Maximum exhaust Volume (m³/hr): 900-1000
- Patented Super Tornado auto-accelerating engine
- Super-slim 100 mm-thick body
- Silent and energy-saving Quiet Mode
- Easy-to-dismantle
- Available in 2 widths: 595/710/795/895 mm

龍捲風 增速技術 Tornado Technology
5年摩打保用 Year Warranty On Motor
台灣製造 Made in Taiwan

電壓 Voltage / 頻率 Frequency	220-240 V / 50 Hz			
功率 Power (電機 Motor / 燈 Light)	220 W / 2*3W			
摩打轉速 Motor Speed (R.P.M.)	2300			
排風量 Exhaust Volume (m³/hr)	TOT-623: 900 / TOT-723, TOT-823, TOT-923: 1000			
排風口直徑 Exhaust Outlet Diameter (mm/inch)	125 / 5", 152 / 6"			

	W (mm)	D (mm)	H (mm)	淨重 Net Weight
TOT-623	595	510	100	10.5 kg
TOT-723	710	510	100	11 kg
TOT-823	795	510	100	11.5 kg
TOT-923	895	510	100	12.5 kg

尺寸 (mm)
Dimensions (mm)



抽拉式抽油煙機 Slide-out Type



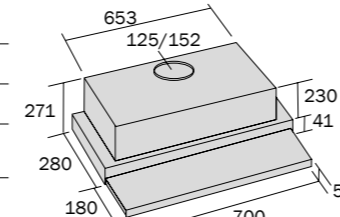
TFT-700

- 排風量可達(m³/hr): 1200
- 2段風速選擇
- 高抽力摩打設計
- 多層式鋁質線圈過濾網
- 闊：700 mm
- Maximum Exhaust Volume (m³/hr): 1200
- 2-speed extraction force
- Ultra heavy-duty motor
- Special 5-layer aluminum filter
- Width: 700 mm

電壓 Voltage / 頻率 Frequency	220-240 V / 50 Hz			
功率 Power (電機 Motor / 燈 Light)	247 W / 2*4W			
排風口直徑 Exhaust Outlet Diameter (mm/inch)	125/5", 152/6"			

	W (mm)	D (mm)	H (mm)	淨重 Net Weight
TFT-700	700	280-460	271	14.3 kg

尺寸 (mm)
Dimensions (mm)



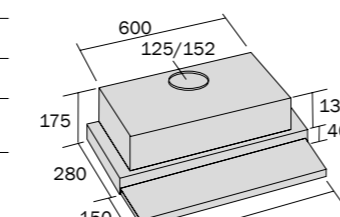
A70

- 排風量可達(m³/hr): 705
- 3段風速選擇
- 省電單摩打雙風輪操作
- 多層式鋁質線圈過濾網
- 白色Teflon外殼連暗藏式開關掣
- 闊：700 mm
- Maximum Exhaust Volume (m³/hr): 705
- 3-speed extraction force
- Energy-saving motor with dual exhaust wheels
- Special 5-layer aluminium filter
- White Teflon body with hidden slider-control
- Width: 700 mm

電壓 Voltage / 頻率 Frequency	220-240 V / 50 Hz			
功率 Power (電機 Motor / 燈 Light)	181 W / 2*28W			
排風口直徑 Exhaust Outlet Diameter (mm/inch)	125 / 5", 152 / 6"			

	W (mm)	D (mm)	H (mm)	淨重 Net Weight
A70	700	280-430	175	8.1 kg

尺寸 (mm)
Dimensions (mm)



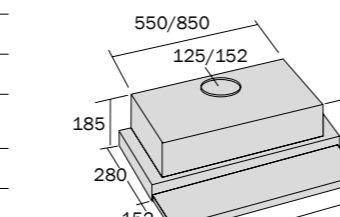
TF-600W/900W

- 排風量可達(m³/hr): 705
- 3段風速選擇
- 高抽力雙摩打省電設計
- 多層式鋁質線圈過濾網
- 2種闊度選擇：600/900 mm
- 歐洲設計
- Maximum Exhaust Volume (m³/hr): 705
- 3-speed extraction force
- Dual heavy-duty motors
- Special 5-layer aluminum filter
- Two width options: 600/900 mm
- Designed in Europe

電壓 Voltage / 頻率 Frequency	220 V / 50 Hz			
功率 Power (電機 Motor / 燈 Light)	330 W / 2*40W			
排風口直徑 Exhaust Outlet Diameter (mm/inch)	125 / 5", 152 / 6"			

	W (mm)	D (mm)	H (mm)	淨重 Net Weight
TF-600W	600	280-432	185	9.4 kg
TF-900W	900	280-432	185	12.1 kg

尺寸 (mm)
Dimensions (mm)



嵌入式雙頭電磁爐 Built-In Double Hob Induction Cooktop



GIC-128DB

- 榮獲香港一級能源標籤認證，保證慳電節能
- 火力可達2800 W
- 10 段火力調校
- 德國SCHOTT CERAN®玻璃面板，堅固耐用
- 特強散熱效率，適合長時間使用
- 獨立13A插頭，隨插即煮
- 1st Class Energy Efficiency Label
- Power up to 2800 W
- 10-Level Power Control
- SCHOTT CERAN® heat-resistant glass panel
- Delayed Cooling Fan System
- 13A socket plug-n-cook

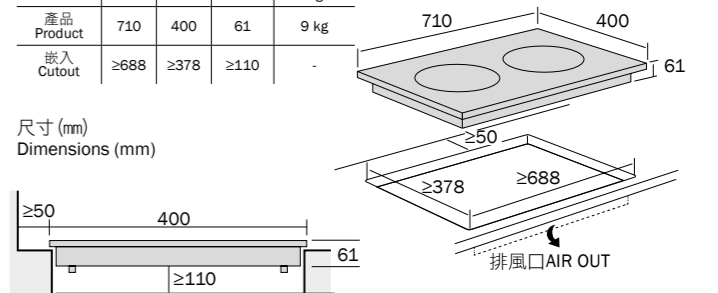
一鍵猛火 Super Boost
SCHOTT CERAN® 德國名廠玻璃



電壓 Voltage / 頻率 Frequency	220 - 240 V / 50-60 Hz			
電流 Electric current	13 A			
功率 Power	2800 W			
爐頭數目 No. of hobs	2			

	W (mm)	D (mm)	H (mm)	淨重 Net Weight
產品 Product	710	400	61	9 kg
嵌入 Cutout	≥688	≥378	≥110	-

尺寸 (mm)
Dimensions (mm)



GIC-152DB

- 榮獲香港一級能源標籤認證，保證慳電節能
- 火力可達5200 W
- 10 段火力調校
- 德國SCHOTT CERAN®玻璃面板，堅固耐用
- 特強散熱效率，適合長時間使用
- 2個獨立13A插頭，隨插即煮
- 1st Class Energy Efficiency Label
- Power up to 5200 W
- 10-Level Power Control
- SCHOTT CERAN® heat-resistant glass panel
- Delayed Cooling Fan System
- 2x13A sockets plug-n-cook

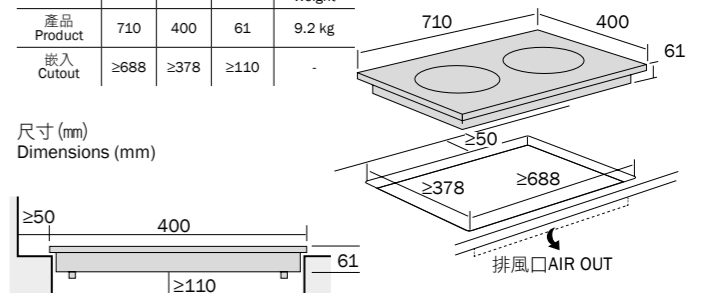
一鍵猛火 Super Boost
SCHOTT CERAN® 德國名廠玻璃



電壓 Voltage / 頻率 Frequency	220 - 240 V / 50-60 Hz			
電流 Electric current	13 A x 2			
功率 Power	5200 W			
爐頭數目 No. of hobs	2			

	W (mm)	D (mm)	H (mm)	淨重 Net Weight
產品 Product	710	400	61	9.2 kg
嵌入 Cutout	≥688	≥378	≥110	-

尺寸 (mm)
Dimensions (mm)



GIC-BD28B-S

- 火力可達2800 W
- 10 段火力調校
- 兩爐頭功率智能分配火力
- 散熱效率特強，適合長時間使用
- 獨立13A插頭，隨插即煮
- Power up to 2800 W
- 10-level power control
- Intelligent power sharing between hobs
- Ultra-efficient cooling fan for long cooking session
- 13A socket plug-n-cook

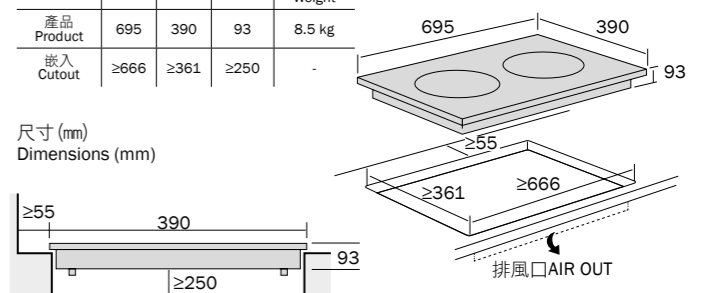
EURO KERA
法國製造玻璃



電壓 Voltage / 頻率 Frequency	220 - 240 V / 50-60 Hz			
電流 Electric current	11.7 - 12.7 A			
功率 Power	2800 W			
爐頭數目 No. of hobs	2			

	W (mm)	D (mm)	H (mm)	淨重 Net Weight
產品 Product	695	390	93	8.5 kg
嵌入 Cutout	≥666	≥361	≥250	-

尺寸 (mm)
Dimensions (mm)



GIC-BD56B-S

- 火力可達5600 W
- 10 段火力調校
- 雙頭雙線獨立輸出，火力平均分配
- 德國製造SCHOTT CERAN®陶瓷玻璃面板
- 嵌入或座檯兩用
- 2個獨立13A插頭，隨插即煮
- Power up to 5600 W
- 10-level power control
- 2 separate power sockets for 2 hobs
- SCHOTT CERAN® ceramic glass cooktop panel
- Built-in or free-standing installation
- 2x13A sockets plug-n-cook

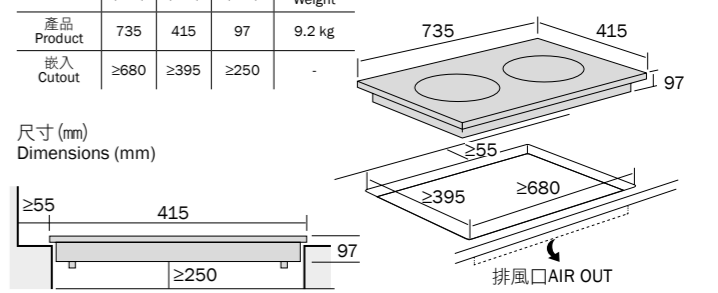
SCHOTT CERAN®
德國名廠玻璃



電壓 Voltage / 頻率 Frequency	220 - 240 V / 50-60 Hz			
電流 Electric current	23.3 - 25.5 A			
功率 Power	5600 W			
爐頭數目 No. of hobs	2			

	W (mm)	D (mm)	H (mm)	淨重 Net Weight
產品 Product	735	415	97	9.2 kg
嵌入 Cutout	≥680	≥395	≥250	-

尺寸 (mm)
Dimensions (mm)



嵌入式雙頭電磁爐 Built-In Double Hob Induction Cooktop



DIC-148DB

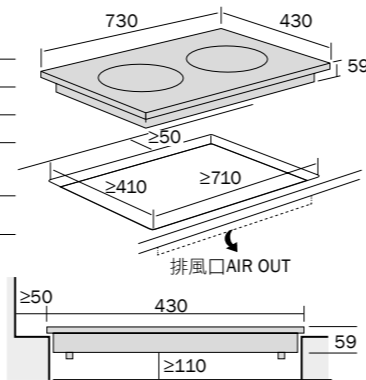
- 雙爐火力可達4800 W
- SuperBoost一鍵最猛火，毋需久等
- 9段火力烹調
- 德國製造SCHOTT CERAN®陶瓷玻璃面板
- 鑽石斜邊設計，時尚美觀
- 全機德國設計及製造
- Power up to 4800 W
- 1-tap SuperBoost to highest power
- 9-level power control
- SCHOTT CERAN® ceramic glass cooktop panel
- Stylish diamond-inspired edge
- Made in Germany

一鍵猛火 Super Boost
SCHOTT CERAN®
德國製造玻璃

德國設計及製造
Made in Germany

電壓 Voltage / 頻率Frequency	230 V / 50 Hz			
電流 Electric current	25 A			
功率 Power	4800 W			
爐頭數目 No. of hobs	2			
	W (mm)	D (mm)	H (mm)	淨重 Net Weight
產品 Product	730	430	59	10 kg
嵌入 Cutout	≥710	≥410	≥110	-

尺寸 (mm)
Dimensions (mm)



嵌入式雙頭電磁電陶爐 Built-In Double Hob Induction/Ceramic Hybrid Cooktop



DIH-146DB

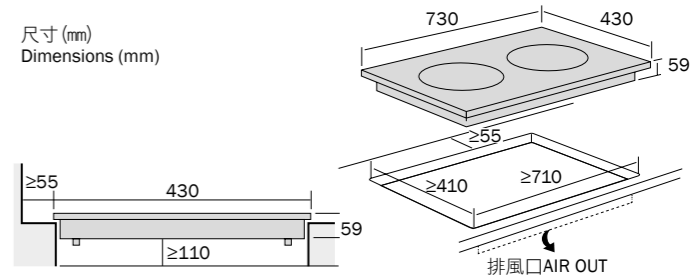
- 火力可達4600 W
- 電磁、電陶爐雙爐合璧
- SuperBoost一鍵最猛火
- 9段火力烹調
- 德國製造SCHOTT CERAN®陶瓷玻璃面板
- 任何鍋具適用
- 全機德國設計及製造
- Power up to 4600 W
- The best of both worlds: IC & IR cookers
- 1-tap SuperBoost to highest power
- 9-level power control
- SCHOTT CERAN® ceramic glass cooktop panel
- Suitable for all pots and pans
- Made in Germany

一鍵猛火 Super Boost
SCHOTT CERAN®
德國製造玻璃

德國設計及製造
Made in Germany

電壓 Voltage / 頻率Frequency	230 V / 50 Hz			
電流 Electric current	25 A			
功率 Power	4600 W			
爐頭數目 No. of hobs	2			
	W (mm)	D (mm)	H (mm)	淨重 Net Weight
產品 Product	730	430	59	9.8 kg
嵌入 Cutout	≥710	≥410	≥110	-

尺寸 (mm)
Dimensions (mm)



嵌入式全區域電磁爐 Built-In All Zone FlexInduction Cooktop



GIC-DF28B

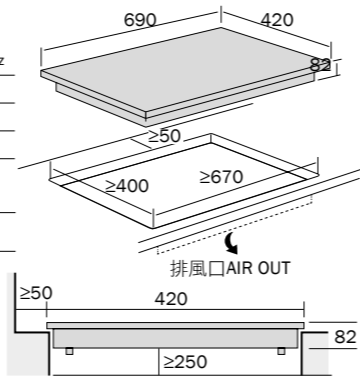
- 火力可達2800 W
- SuperBoost一鍵最猛火，毋需久等
- 9段火力控制
- 德國製造SCHOTT CERAN®陶瓷玻璃面板
- 爐面任何一處均可加熱
- 獨立13A插頭，隨插即煮
- Power up to 2800 W
- 1-tap SuperBoost to highest power
- 9-Level power control
- SCHOTT CERAN® ceramic glass cooktop panel
- Entire worktop as heating surface
- 13A socket plug-n-cook

一鍵猛火 Super Boost
SCHOTT CERAN®
德國名廠玻璃



電壓 Voltage / 頻率Frequency	220 - 240 V / 50 Hz			
電流 Electric current	12.7 A			
功率 Power	2800 W			
爐頭數目 No. of hobs	全區域 All-Zone			
	W (mm)	D (mm)	H (mm)	淨重 Net Weight
產品 Product	690	420	82	12 kg
嵌入 Cutout	≥670	≥400	≥250	-

尺寸 (mm)
Dimensions (mm)



嵌入式單頭電磁爐 Built-In Single Hob Induction Cooktop



GIC-CS28B-S

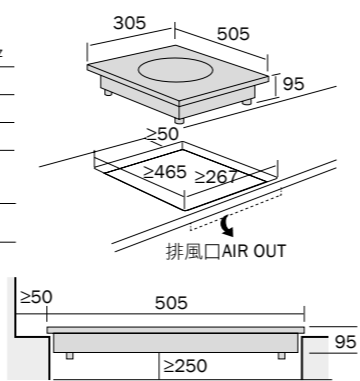
- 火力可達2800 W
- 10段火力調校
- 「火力恒定技術」穩定耐用
- 法國製造EuroKera玻璃面板
- 獨立13A插頭，一插即煮
- Power up to 2800 W
- 10-level power control
- Power Stabilizing for continuous heat
- French EuroKera glass-ceramic cooktop panel
- 13A socket plug-n-cook

一鍵猛火 Super Boost
EURO KERA
法國製造玻璃



電壓 Voltage / 頻率Frequency	220 - 240 V / 50-60 Hz			
電流 Electric current	11.7 - 12.7 A			
功率 Power	2800 W			
爐頭數目 No. of hobs	1			
	W (mm)	D (mm)	H (mm)	淨重 Net Weight
產品 Product	305	505	95	5.6 kg
嵌入 Cutout	≥267	≥465	≥250	-

尺寸 (mm)
Dimensions (mm)



座檯式雙頭電磁爐 Free-Standing Double Hob Induction Cooktop



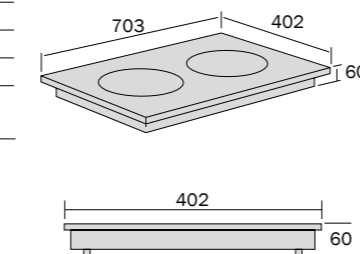
GIC-GD28T-S

- 火力可達2800 W
- 雙爐頭火力智能分配
- 8段火力/溫度調校，操控方便
- 高級耐熱玻璃面板
- 獨立13A插頭，一插即煮
- Power up to 2800 W
- Intelligent power sharing
- 8-level power control
- Heat-resistant glass-ceramic cooktop panel
- 13A socket plug-n-cook



電壓 Voltage / 頻率Frequency	220 - 240 V / 50 Hz			
電流 Electric current	12.7 A			
功率 Power	2800 W			
爐頭數目 No. of hobs	2			
	W (mm)	D (mm)	H (mm)	淨重 Net Weight
產品 Product	703	402	60	7 kg

尺寸 (mm)
Dimensions (mm)



座檯式單頭電磁爐 Free-Standing Single Hob Induction Cooker



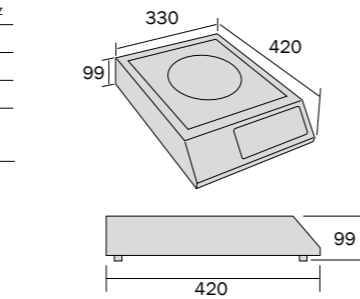
GIC-MS28T

- 火力可達2800 W
- 8段火力/溫度調校
- 高級耐熱玻璃面板
- 適合專業商用及家庭用途
- 不銹鋼外殼，美觀耐用
- Power up to 2800 W
- 8-level power control
- Heat-resistant glass-ceramic cooktop panel
- Ideal for household & restaurant use
- Durable stainless steel finishing



電壓 Voltage / 頻率Frequency	220 - 240 V / 50 Hz			
電流 Electric current	12.7 A			
功率 Power	2800 W			
爐頭數目 No. of hobs	1			
	W (mm)	D (mm)	H (mm)	淨重 Net Weight
產品 Product	330	420	99	4.5 kg

尺寸 (mm)
Dimensions (mm)



座檯式雙頭電磁電陶爐 Free-Standing Double Hob Induction/Ceramic Hybrid Cooktop



GIH-DD28B/2800W

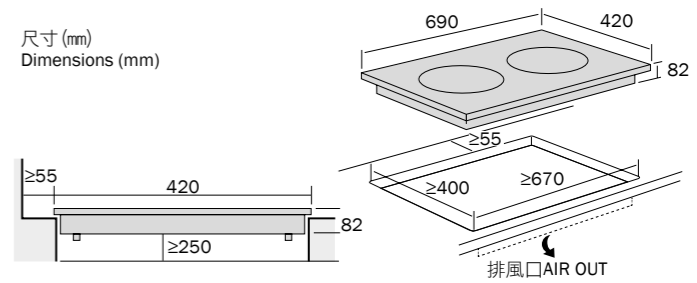
- 火力可達2800 W
- 電磁、電陶爐雙爐合璧
- 10段火力調校
- 德國進口 SCHOTT CERAN®耐溫陶瓷玻璃
- 獨立13A插頭，隨插即煮
- 任何鍋具適用
- Power up to 2800 W
- The best of both worlds: IC & IR cookers
- 10 level power control
- SCHOTT CERAN® ceramic glass cooktop
- 13A socket plug-n-cook
- Suitable for all pots and pans

SCHOTT CERAN®
德國名廠玻璃



電壓 Voltage / 頻率Frequency	220 - 240 V / 50 Hz			
電流 Electric current	12.7 A x 2			
功率 Power	2800 W			
爐頭數目 No. of hobs	2			
	W (mm)	D (mm)	H (mm)	淨重 Net Weight
產品 Product	690	420	82	9 kg
嵌入 Cutout	≥670	≥400	≥250	-

尺寸 (mm)
Dimensions (mm)



座檯式雙頭電磁電陶爐 Free-Standing Double Hob Induction/Ceramic Hybrid Cooktop



GIH-DD28B/5400W

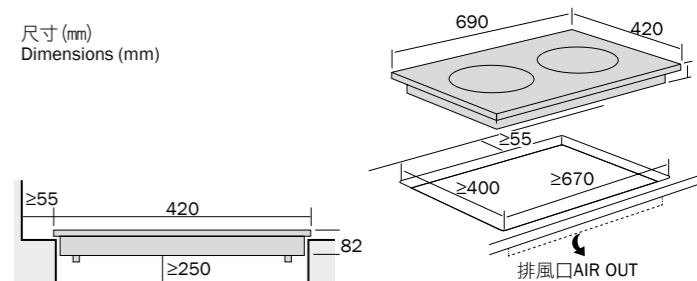
- 火力可達5400 W
- 電磁、電陶爐雙爐合璧
- 10段火力調校
- 德國進口 SCHOTT CERAN®耐溫陶瓷玻璃
- 2個獨立13A插頭，隨插即煮
- 任何鍋具適用
- Power up to 5400 W
- The best of both worlds: IC & IR cookers
- 10 level power control
- SCHOTT CERAN® ceramic glass cooktop
- 2x13A socket plug-n-cook
- Suitable for all pots and pans

SCHOTT CERAN®
德國製造玻璃



電壓 Voltage / 頻率Frequency	220 - 240 V / 50 Hz			
電流 Electric current	12.7 A x 2			
功率 Power	5400 W			
爐頭數目 No. of hobs	2			
	W (mm)	D (mm)	H (mm)	淨重 Net Weight
產品 Product	690	420	82	9.2 kg
嵌入 Cutout	≥670	≥400	≥250	-

尺寸 (mm)
Dimensions (mm)



嵌入式電陶爐 Built-In Single Hob Ceramic Cooktop



GID-AS28B

- 火力可達2800 W
- 10 段火力調校
- 紅外線雙環自選加熱
- 德國SCHOTT CERAN®耐熱陶瓷玻璃面板
- 獨立13A插頭，隨插即煮
- 任何鍋具適用
- Power up to 2800 W
- 10-level power control
- Dual infrared heating rings
- German SCHOTT CERAN® glass-ceramic panel
- 13A socket plug-n-cook
- Suitable for all pots and pans

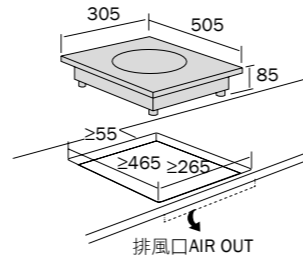
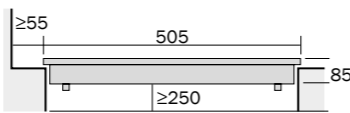
SCHOTT CERAN® 德國名廠玻璃



電壓 Voltage / 頻率Frequency	220 V / 50 Hz			
電流 Electric current	11.7 - 12.7 A			
功率 Power	2800 W			
爐頭數目 No. of hobs	1			

	W (mm)	D (mm)	H (mm)	淨重 Net Weight
產品 Product	305	505	85	4.3 kg
嵌入 Cutout	≥265	≥465	≥250	-

尺寸 (mm)
Dimensions (mm)



座檯式電陶爐 Free-Standing Single Hob Ceramic Cooktop



GID-AS28T

- 火力可達2800 W
- 8 段火力/溫度調校
- 輕觸式按鍵，操作簡易
- 德國SCHOTT CERAN®耐熱陶瓷玻璃面板
- 任何鍋具適用
- Power up to 2800 W
- 8-level power / temperature control
- Touch-sensing control buttons
- SCHOTT CERAN® glass-ceramic cooktop
- Suitable for all pots and pans

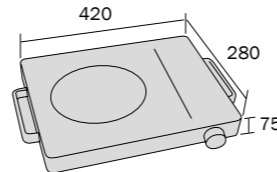
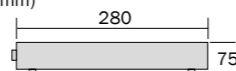
SCHOTT CERAN® 德國名廠玻璃



電壓 Voltage / 頻率Frequency	220 V / 50 Hz			
電流 Electric current	12.7 A			
功率 Power	2800 W			
爐頭數目 No. of hobs	1			

	W (mm)	D (mm)	H (mm)	淨重 Net Weight
產品 Product	420	280	75	2.6 kg

尺寸 (mm)
Dimensions (mm)



嵌入式氣體煮食爐 Built-In Gas Cooktop



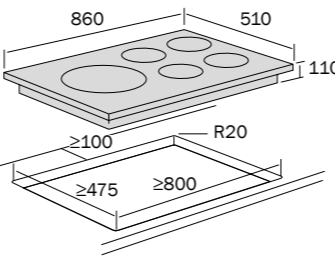
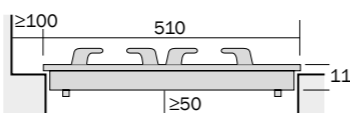
GP50 (5爐頭 Hobs)

- 火力可達5800 W
- 全港首創玻璃面五頭爐
- 高強度鋼化玻璃面板，耐溫耐壓
- 超薄型底盤，簡約美觀
- 煤氣(TG)適用
- Power up to 5800 W
- Original five-ring burner with glass cooktop panel
- Space-saving range base design
- High density anti-shock tempered glass cooktop
- Towngas available

氣體類型 Gas type	煤氣 Towngas			
火力 Power	Towngas (L): 5800 W (S): 2000/3000 W 1500/2000 W			
爐頭數目 No. of hobs	5			

	W (mm)	D (mm)	H (mm)	淨重 Net Weight
產品 Product	860	510	110	22 kg
嵌入 Cutout	≥800	≥475	≥50	-

尺寸 (mm)
Dimensions (mm)



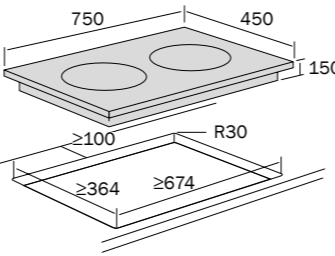
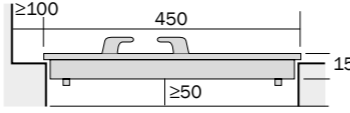
GP11-2 (2爐頭 Hobs)

- 火力可達5200 W
- 電脈衝點火，無須連續按壓，百發百中
- 超密度鋼化玻璃爐面(黑/白/銀)
- 可選擇石油氣(LG)或天然氣(NG)
- Power up to 5200 W
- One-touch continuous electronic ignition system
- High density tempered glass cooktop (black/white/silver)
- Choices of LPG or NG available

氣體類型 Gas type	石油氣 LPG / 天然氣 NG			
火力 Power	LPG: 4500 W NG: 4500 W			
爐頭數目 No. of hobs	2			

	W (mm)	D (mm)	H (mm)	淨重 Net Weight
產品 Product	750	450	150	12.5 kg
嵌入 Cutout	≥674	≥364	≥50	-

尺寸 (mm)
Dimensions (mm)



嵌入式氣體煮食爐 Built-In Gas Cooktop



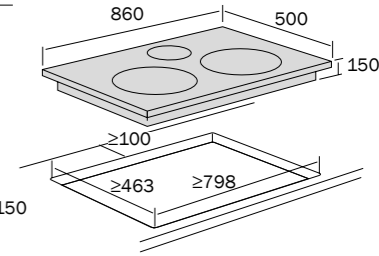
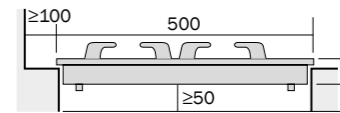
GP12-3 (3爐頭 Hobs)

- 火力可達6000 W
- 花瓣式立體旋火設計
- 超密度鋼化玻璃及纖維防爆網保護爐面
- 可選擇煤氣(TG)或石油氣(LG)
- 6000 W super high output
- 3D petal flame ring
- High density anti-shock tempered glass cooktop
- Choices of Towngas or LPG available

氣體類型 Gas type	煤氣 Towngas / 石油氣 LPG			
火力 Power	Towngas: (L)6000 W / (S)2500 W LPG: (L)5000 W / (S)2000 W			
爐頭數目 No. of hobs	3			

	W (mm)	D (mm)	H (mm)	淨重 Net Weight
產品 Product	860	500	150	19.5 kg
嵌入 Cutout	≥798	≥463	≥50	-

尺寸 (mm)
Dimensions (mm)



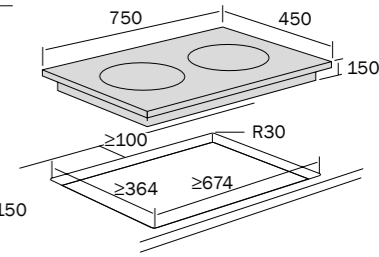
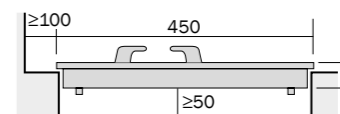
GP12-2 (2爐頭 Hobs)

- 火力可達6000 W
- 花瓣式立體旋火設計
- 超密度鋼化玻璃及纖維防爆網保護爐面(黑/白/銀)
- 可選擇煤氣(TG)或石油氣(LG)
- 6000 W super high output
- 3D petal flame ring
- High density anti-shock tempered glass cooktop (black/white/silver)
- Choices of Towngas or LPG available

氣體類型 Gas type	煤氣 Towngas / 石油氣 LPG			
火力 Power	Towngas: 6000 W LPG: 5000 W			
爐頭數目 No. of hobs	2			

	W (mm)	D (mm)	H (mm)	淨重 Net Weight
產品 Product	750	450	150	12.5 kg
嵌入 Cutout	≥674	≥364	≥50	-

尺寸 (mm)
Dimensions (mm)



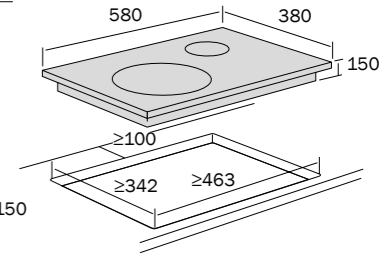
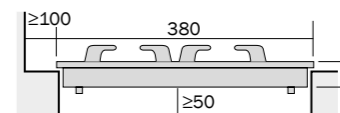
GP12-2M (2爐頭 Hobs)

- 火力可達6000 W
- 花瓣式立體旋火設計
- 大小爐頭
- 超密度鋼化玻璃及纖維防爆網保護爐面
- 可選擇煤氣(TG)或石油氣(LG)
- 6000 W super high output
- 3D petal flame ring
- 1 large and 1 small hob
- High density anti-shock tempered glass cooktop
- Choices of Towngas or LPG available

氣體類型 Gas type	煤氣 Towngas / 石油氣 LPG			
火力 Power	Towngas: (L)6000 W (S)2500 W LPG: (L)5000 W (S)2000 W			
爐頭數目 No. of hobs	2			

	W (mm)	D (mm)	H (mm)	淨重 Net Weight
產品 Product	580	380	150	10.5 kg
嵌入 Cutout	≥463	≥342	≥50	-

尺寸 (mm)
Dimensions (mm)



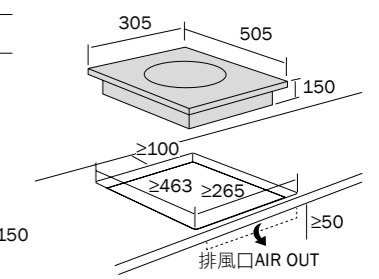
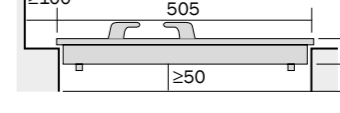
GP12-1 (1爐頭 Hob)

- 火力可達6000 W
- 花瓣式立體旋火設計
- 超密度鋼化玻璃及纖維防爆網保護爐面
- 可選擇煤氣(TG)或石油氣(LG)
- Power up to 6000 W
- 3D petal flame ring
- High density anti-shock tempered glass cooktop
- Choices of Towngas or LPG available

氣體類型 Gas type	煤氣 Towngas / 石油氣 LPG			
火力 Power	Towngas: 6000 W LPG: 5000 W			
爐頭數目 No. of hobs	1			

	W (mm)	D (mm)	H (mm)	淨重 Net Weight
產品 Product	305	505	150	8 kg
嵌入 Cutout	≥265	≥463	≥50	-

尺寸 (mm)
Dimensions (mm)

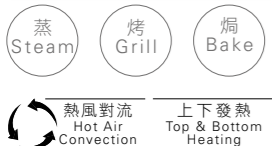


嵌入式多功能蒸烤焗爐 Built-In Multifunctional Steam & Grill Oven



SGV-5228

- 火力可達2800 W
- 52公升容量
- 1.3公升易拆水箱
- 13功能模式
- 30-250°C 精準控溫
- 360° 熱風對流
- 50款自選菜單
- Power up to 2800 W
- 52L capacity
- 1.3L detachable water tank
- 13 cooking modes
- 30-250°C precise temperature control
- 360° heat circulation convection
- 50 automatic programmes

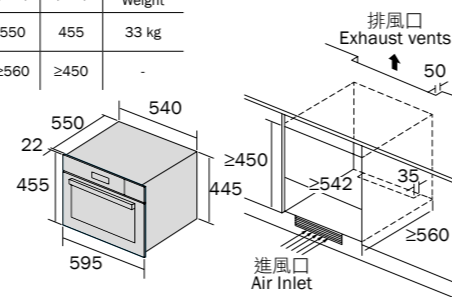


亮黑輕觸式玻璃面板，完美搭配嵌入式暖碟櫃DWR-2504BK
Black Glass Touchscreen Panel, Perfect combination with Built-In Dish Warmer DWR-2504SV

電壓 Voltage / 頻率 Frequency	220-240 V / 50 Hz			
功率 Power	2800 W			
溫度調校範圍 Temperature Adjustment Range	30-250°C			
爐腔尺寸 Oven Cavity Dimensions WxDxH (mm)	469 x 401 x 254 (約 approx.)			

	W (mm)	D (mm)	H (mm)	淨重 Net Weight
產品 Product	595	550	455	33 kg
嵌入 Cutout	≥542	≥560	≥450	-

尺寸 (mm)
Dimensions (mm)



嵌入式多功能蒸烤焗爐 Built-In Multifunctional Steam & Grill Oven



SGV-5221

- 火力可達2100 W
- 52公升容量
- 1.3公升易拆水箱
- 12功能模式
- 40-250°C 精準控溫
- 360° 熱風對流
- 15款自選菜單
- Power up to 2100 W
- 52 L capacity
- 1.3 L detachable water tank
- 12 cooking modes
- 40-250°C precise temperature control
- 360° heat circulation convection
- 15 automatic programmes

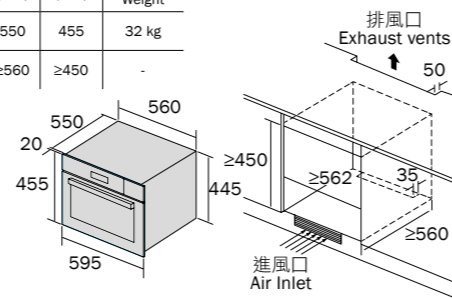


銀色不銹鋼輕觸式面板，完美搭配嵌入式暖碟櫃DWR-2504SV
Silver Stainless Steel Touchscreen Panel, Perfect combination with Built-In Dish Warmer DWR-2504SV

電壓 Voltage / 頻率 Frequency	220-240 V / 50 Hz			
功率 Power	2100 W			
溫度調校範圍 Temperature Adjustment Range	40-250°C			
爐腔尺寸 Oven Cavity Dimensions WxDxH (mm)	470 x 410 x 255 (約 approx.)			

	W (mm)	D (mm)	H (mm)	淨重 Net Weight
產品 Product	595	550	455	32 kg
嵌入 Cutout	≥562	≥560	≥450	-

尺寸 (mm)
Dimensions (mm)



嵌入式暖碟櫃 Built-in Dish Warmer



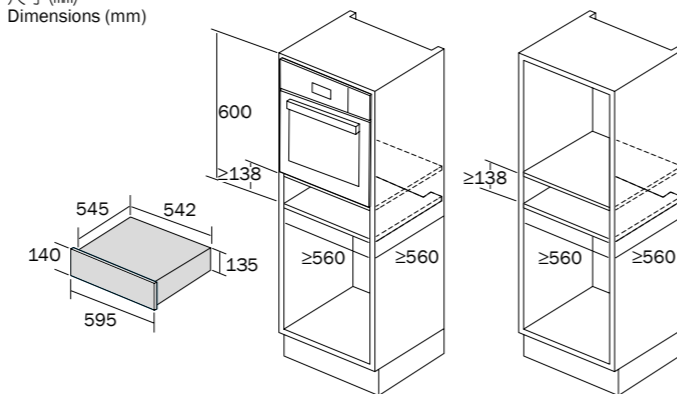
DWR-2504

- 25公升容量
- 30-70°C 精準保溫
- 0-90分鐘定時控制
- 嵌入式設計纖巧輕位
- 銀色不銹鋼/亮黑玻璃兩款選擇
- 25 L Capacity
- 30-70°C precision warming
- 0 - 90 minute timer control
- Compact Built-in Design
- Available in silver (SV) / black (BK)

電壓 Voltage / 頻率 Frequency	220-240 V / 50 Hz			
功率 Power	410 W			
容量 Capacity	25 L			

	W (mm)	D (mm)	H (mm)	淨重 Net Weight
產品 Product	595	545	140	20 kg
嵌入 Cutout	≥560	≥560	≥138	-

尺寸 (mm)
Dimensions (mm)



完美搭配：
嵌入式多功能蒸烤焗爐SGV-5228
嵌入式多功能蒸烤焗爐SGV-5221
整體高度剛好為標準嵌入式尺寸600mm

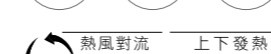
Fit with:
Built-In Multifunctional Steam & Grill Oven SGV-5228
Built-In Multifunctional Steam & Grill Oven SGV-5221
Makes the perfect standard built-in dimension height of 600mm

座檯式多功能蒸烤焗爐 Free-Standing Multifunctional Steam & Grill Oven



SGN-B4021

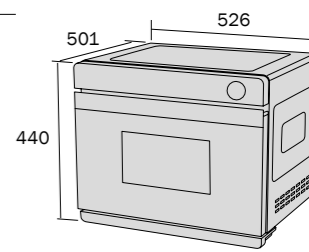
- 火力可達2400 W
- 40公升容量
- 1.4公升易拆水箱
- 30-230°C 精準控溫
- 360° 熱風對流
- 8種功能模式
- 31款預設菜單
- Power up to 2400 W
- 40 L capacity
- 1.4 L detachable water tank
- 30-230°C precise temperature control
- 360° hot air convection
- 8 cooking modes
- 31 predefined recipes



電壓 Voltage / 頻率 Frequency	220-240 V / 50-60 Hz			
功率 Power	2400 W			
爐腔尺寸 Oven Cavity Dimensions WxDxH (mm)	400 x 340 x 260 (約 approx.)			

	W (mm)	D (mm)	H (mm)	淨重 Net Weight
產品 Product	526	501	440	21.5 kg

尺寸 (mm)
Dimensions (mm)



SGO-2140M

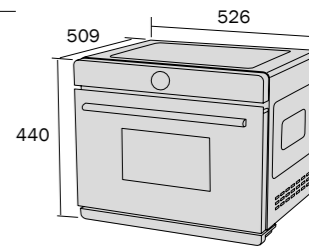
- 火力可達2400 W
- 40公升容量
- 1.4公升易拆水箱
- 30-230°C 精準控溫
- 360° 熱風對流
- 8種功能模式
- 31款預設菜單
- Power up to 2400 W
- 40 L capacity
- 1.4 L detachable water tank
- 30-230°C precise temperature control
- 360° hot air convection
- 8 cooking modes
- 31 predefined recipes



電壓 Voltage / 頻率 Frequency	220-240 V / 50-60 Hz			
功率 Power	2400 W			
爐腔尺寸 Oven Cavity Dimensions WxDxH (mm)	400 x 340 x 260 (約 approx.)			

	W (mm)	D (mm)	H (mm)	淨重 Net Weight
產品 Product	526	509	440	21.5 kg

尺寸 (mm)
Dimensions (mm)



SGV-3921R

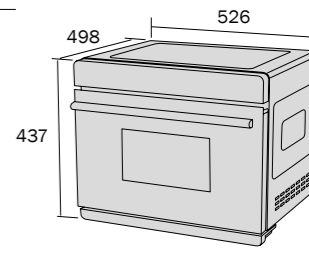
- 火力可達2400 W
- 39公升容量
- 1.4公升易拆水箱
- 10功能模式
- 30-230°C 精準控溫
- 上下發熱線可獨立設定溫度
- 360° 熱風對流
- 45款預設菜單
- Power up to 2400 W
- 39 L capacity
- 1.4 L detachable water tank
- 10 cooking modes
- 30-230°C precise temperature control
- Top & bottom independent temperature control
- 360° hot air convection
- 45 predefined recipes



電壓 Voltage / 頻率 Frequency	220-240 V / 50-60 Hz			
功率 Power	2400 W			
溫度調校範圍 Temperature Adjustment Range	30-230°C			
爐腔尺寸 Oven Cavity Dimensions WxDxH (mm)	400 x 340 x 260 (約 approx.)			

	W (mm)	D (mm)	H (mm)	淨重 Net Weight
產品 Product	526	498	437	21.8 kg

尺寸 (mm)
Dimensions (mm)



SGV-3921F

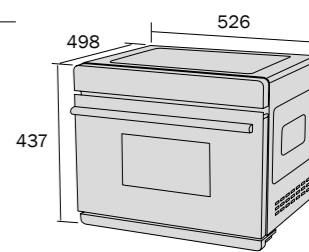
- 火力可達2400 W
- 39公升容量
- 1.4公升易拆水箱
- 10功能模式
- 30-230°C 精準控溫
- 上下發熱線可獨立設定溫度
- 360° 熱風對流
- 45款預設菜單
- Power up to 2400 W
- 39 L capacity
- 1.4 L detachable water tank
- 10 cooking modes
- 30-230°C precise temperature control
- Top & bottom independent temperature control
- 360° hot air convection
- 45 predefined recipes



電壓 Voltage / 頻率 Frequency	220-240 V / 50-60 Hz			
功率 Power	2400 W			
溫度調校範圍 Temperature Adjustment Range	30-230°C			
爐腔尺寸 Oven Cavity Dimensions WxDxH (mm)	400 x 340 x 260 (約 approx.)			

	W (mm)	D (mm)	H (mm)	淨重 Net Weight
產品 Product	526	498	437	21.8 kg

尺寸 (mm)
Dimensions (mm)



座檯式多功能蒸烤焗爐 Free-Standing Multifunctional Steam & Grill Oven



SGV-2623

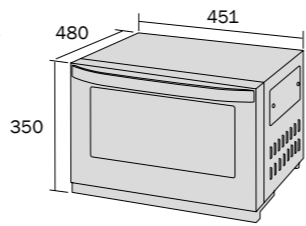
- 火力可達2000 W
- 26公升容量
- 900毫升易拆水箱
- 11種功能模式
- 30-230°C 精準控溫
- 360° 熱風對流
- 59款預設菜單
- Power up to 2000 W
- 26 L capacity
- 900 ml detachable water tank
- 11 cooking modes
- 30-230°C precise temperature control
- 360° hot air convection
- 59 predefined recipes



電壓 Voltage / 頻率 Frequency	220-240 V / 50-60 Hz			
功率 Power	2000 W			
溫度調校範圍 Temperature Adjustment Range	30-230°C			
爐腔尺寸 Oven Cavity Dimensions WxDxH (mm)	365.5 x 300 x 220 (約 approx.)			

	W (mm)	D (mm)	H (mm)	淨重 Net Weight
產品 Product	451	480	350	16 kg

尺寸 (mm)
Dimensions (mm)



SGV-2617

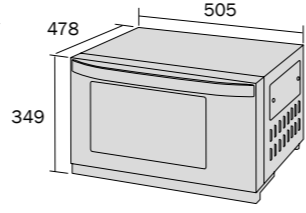
- 火力可達2100 W
- 26公升容量
- 1.2公升易拆水箱
- 6種功能模式
- 40-250°C 精準控溫
- 360° 熱風對流
- 前方散熱設計
- Power up to 2100 W
- 26L capacity
- 1.2L detachable water tank
- 6 cooking modes
- 40-250°C precise temperature control
- 360° heat circulation convection
- Front heat dissipation design



電壓 Voltage / 頻率 Frequency	220-240 V / 50 Hz			
功率 Power	2100 W			
溫度調校範圍 Temperature Adjustment Range	40-250°C			
爐腔尺寸 Oven Cavity Dimensions WxDxH (mm)	350 x 300 x 230 (約 approx.)			

	W (mm)	D (mm)	H (mm)	淨重 Net Weight
產品 Product	505	478	349	14.6 kg

尺寸 (mm)
Dimensions (mm)



嵌入式烤焗爐 Built-in Grill Oven



EVA-287

- 火力可達2465 W
- 87公升容量
- 7種預設功能
- 40-240°C 精準控溫
- 360° 熱風對流
- 可拆卸式3層玻璃門，防燙易潔
- Power up to 2465 W
- 87 L capacity
- 7 major functions
- 40-240°C precise temperature control
- 360° heat circulation convection
- Detachable 3-layered glass door

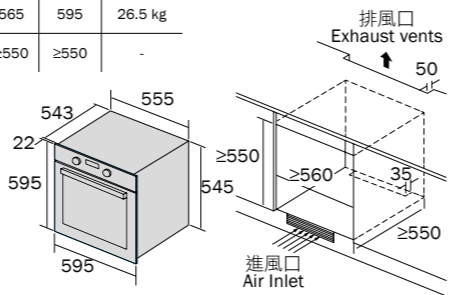


歐洲設計及製造
Made in Europe

電壓 Voltage / 頻率 Frequency	220-240 V / 50 Hz			
功率 Power	2465 W			
溫度調校範圍 Temperature Adjustment Range	40-240°C			
爐腔尺寸 Oven Cavity Dimensions WxDxH (mm)	460 x 450 x 388 (約 approx.)			

	W (mm)	D (mm)	H (mm)	淨重 Net Weight
產品 Product	595	565	595	26.5 kg
嵌入 Cutout	≥560	≥550	≥550	-

尺寸 (mm)
Dimensions (mm)



EVC-173

- 火力可達2200 W
- 73公升容量
- 7種預設功能
- 50-250°C 精準控溫
- 360° 熱風對流
- 可拆卸式2層玻璃門，防燙易潔
- Power up to 2200 W
- 73 L capacity
- 7 major functions
- 50-250°C precise temperature control
- 360° heat circulation convection
- Detachable 2-layered glass door

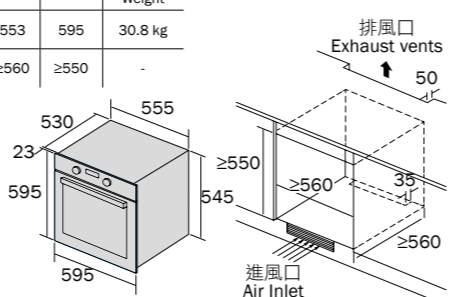


ENERG A

電壓 Voltage / 頻率 Frequency	220-240 V / 50-60 Hz			
功率 Power	2200 W			
溫度調校範圍 Temperature Adjustment Range	50-250°C			
能源標籤級別 Energy Efficiency Class	EU Energy Label A			
爐腔尺寸 Oven Cavity Dimensions WxDxH (mm)	470 x 408 x 380 (約 approx.)			

	W (mm)	D (mm)	H (mm)	淨重 Net Weight
產品 Product	595	553	595	30.8 kg
嵌入 Cutout	≥560	≥560	≥550	-

尺寸 (mm)
Dimensions (mm)



嵌入式烤焗爐 Built-in Grill Oven



EVB-120 450mm Slim Line

- 45厘米超窄位設計
- 火力可達2000 W
- 55公升容量
- 8種內置功能
- 50-250°C 精準控溫
- 360° 熱風對流
- 45 cm Slim Line design
- Power up to 2000 W
- 55 L capacity
- 8 built-in functions
- 50-250°C precise temperature control
- 360° heat circulation convection

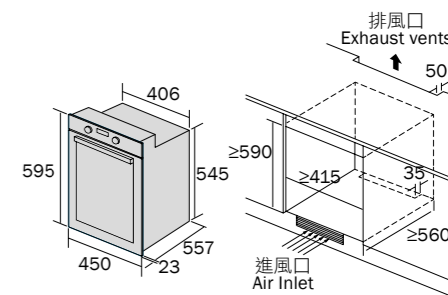


slim line collection

電壓 Voltage / 頻率 Frequency	220-240 V / 50-60 Hz			
功率 Power	2000 W			
溫度調校範圍 Temperature Adjustment Range	50-250°C			
爐腔尺寸 Oven Cavity Dimensions WxDxH (mm)	327 x 441 x 381 (約 approx.)			

	W (mm)	D (mm)	H (mm)	淨重 Net Weight
產品 Product	450	580	595	23 kg
嵌入 Cutout	≥415	≥560	≥590	-

尺寸 (mm)
Dimensions (mm)



嵌入式燒烤微波爐 Built-in Grill & Microwave Oven



MVH-225D

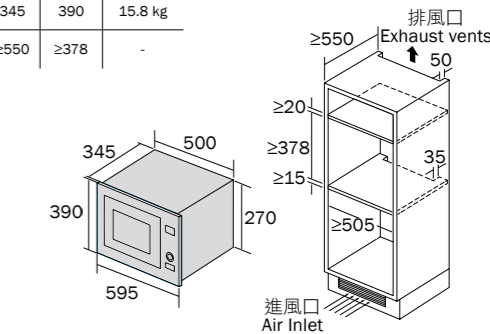
- 25公升容量
- 8個預設自動烹調程式
- 分段烹調功能：4段火力、時間疊加設定
- 24小時預設定時功能
- 25 L capacity
- 8 preset cooking programs
- Multi-sequence cooking function w/ 4 power levels and durations
- 24-hour preset timer function



電壓 Voltage / 頻率 Frequency	230 V / 50 Hz			
輸入功率 Power Input	1400 W (微波 Microwave) 1000 W (燒烤 Grill)			
輸出功率 Power Output	900 W (微波 Microwave) 1000 W (燒烤 Grill)			
爐腔尺寸 Oven Cavity Dimensions WxDxH (mm)	347 x 323 x 218 (約 approx.)			

	W (mm)	D (mm)	H (mm)	淨重 Net Weight
產品 Product	595	345	390	15.8 kg
嵌入 Cutout	≥505	≥550	≥378	-

尺寸 (mm)
Dimensions (mm)



MVH-125M

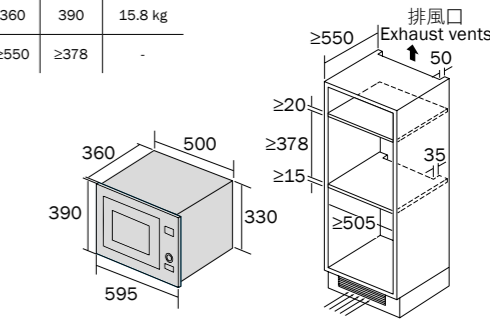
- 25公升容量
- 8個預設自動烹調程式
- 分段烹調功能：4段火力、時間疊加設定
- 24小時預設定時功能
- 25 L capacity
- 8 preset cooking programs
- Multi-sequence cooking function w/ 4 power levels and durations
- 24-hour preset timer function



電壓 Voltage / 頻率 Frequency	230 V / 50 Hz			
輸入功率 Power Input	1400 W (微波 Microwave) 1000 W (燒烤 Grill)			
輸出功率 Power Output	900 W (微波 Microwave) 1000 W (燒烤 Grill)			
爐腔尺寸 Oven Cavity Dimensions WxDxH (mm)	347 x 323 x 218 (約 approx.)			

	W (mm)	D (mm)	H (mm)	淨重 Net Weight
產品 Product	595	360	390	15.8 kg
嵌入 Cutout	≥505	≥550	≥378	-

尺寸 (mm)
Dimensions (mm)



嵌入式消毒碗櫃 Built-In Ozone Dish Sterilizer

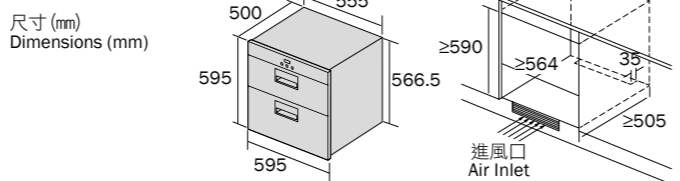


DSR-310BK

- 環保3重臭氧、紫外線、光波消毒烘乾
- 標準嵌入式尺寸
- 特大100公升不銹鋼內膽
- 餐具貯藏容量高達14公斤
- 數碼控制，一鍵操作
- Ozone, UV and Halogen heat-drying system
- Standardized installation size
- Extra Large 100 L stainless steel chamber
- 14 kg capacity
- Digital control, 1-button operation

電壓 Voltage / 頻率 Frequency	220 V / 50 Hz			
功率 Power	310 W			
容量 Capacity	100 L			

	W (mm)	D (mm)	H (mm)	淨重 Net Weight
產品 Product	595	500	595	26 kg
嵌入 Cutout	≥564	≥505	≥590	-

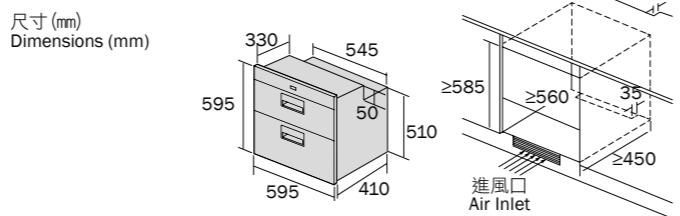


DSR-409SV / 409BK

- 環保3重臭氧、紫外線、光波消毒烘乾
- 標準嵌入式尺寸
- 特大90公升不銹鋼內膽
- 餐具貯藏容量高達12公斤
- 數碼控制，一鍵操作
- Ozone, UV and Halogen heat-drying system
- Standardized installation size
- Extra Large 90 L stainless steel chamber
- 12 kg capacity
- Digital control, 1-button operation

電壓 Voltage / 頻率 Frequency	220 V / 50 Hz			
功率 Power	400 W			
容量 Capacity	90 L			

	W (mm)	D (mm)	H (mm)	淨重 Net Weight
產品 Product	595	435	595	30.5 kg
嵌入 Cutout	≥560	≥450	≥585	-



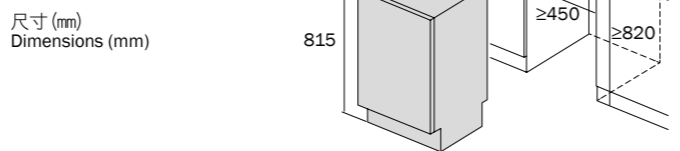
嵌入式洗碗碟機 Built-in Dishwasher

DWH-221
450mm Slim Line

- 8個洗滌程式
- 3D噴灑清洗科技
- 30分鐘極速清洗
- 3重過濾系統
- 強效烘乾功能
- 特設自動及過水程式
- 可加配3款不同顏色門板 (另購)
- 8 washing programmes
- 3D Spray Clean Technology
- 30-min speed cleaning
- 3-tier filter system
- All new extra drying function
- Auto & rinsing programmes
- Additional door panels available in 3 colours (sold separately)

電壓 Voltage / 頻率 Frequency	220-240 V / 50 Hz			
功率 Power	1930 W			
耗水量 Water Consumption	8 L			
能源效益標籤 Energy Efficiency Label	EU Energy Label A+++			

	W (mm)	D (mm)	H (mm)	淨重 Net Weight
產品 Product	448	550	815	39.5 kg
嵌入 Cutout	≥450	≥580	≥820	-

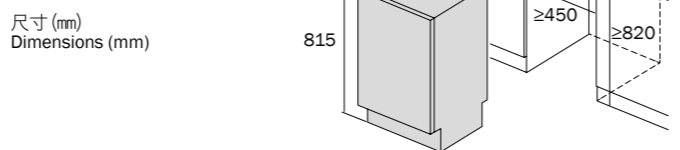


DWH-121
450mm Slim Line

- 6個洗滌程式
- 3D噴灑清洗碗碟無死角
- 30分鐘極速清洗
- 3重過濾系統
- 可加配3款不同顏色門板 (另購)
- 超長預約定時功能
- 6 washing programmes
- 3D Spray Clean Technology
- 30-minute speed cleaning
- 3-tier filter system
- Additional door panels available in 3 colours (sold separately)
- Extra-long preset timer

電壓 Voltage / 頻率 Frequency	220-240 V / 50 Hz			
功率 Power	1930 W			
耗水量 Water Consumption	10.5 L			
能源效益標籤 Energy Efficiency Label	EU Energy Label A++			

	W (mm)	D (mm)	H (mm)	淨重 Net Weight
產品 Product	448	550	815	38kg
嵌入 Cutout	≥450	≥580	≥820	-



嵌入式雙門無霜雪櫃 2-Door Built-In Refrigerator

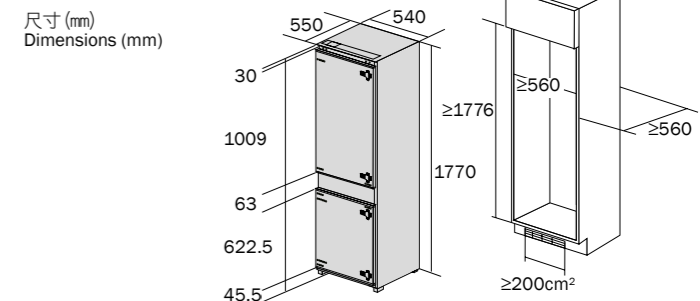


REF-365

- 榮獲香港一級能源標籤認證，保證慳電節能
- 266公升總冷藏容量
- 先進方便「無霜」冷凍
- Senso Tech保鮮冷凍系統
- Quick Freeze極速製冷技術
- 可選左右門鉸設計
- 1st Class Energy Efficiency Label
- 266 L capacity
- Latest freezing technology "Freeze-less"
- Senso Tech system to retain food freshness
- Quick Freeze refrigeration technology
- Choice of left or right hinged door

電壓 Voltage / 頻率 Frequency	220-240 V / 50 Hz			
功率 Power	85 W			
能源效益標籤 Energy Efficiency Label	香港一級能源效益 EEL Grade 1 EU Energy Label A++			
總容量 Gross Capacity	266 L			
淨容量 Net Capacity	241 L			

	W (mm)	D (mm)	H (mm)	淨重 Net Weight
產品 Product	540	550	1770	65 kg
嵌入 Cutout	≥560	≥560	≥1776	-



纖巧單門雪櫃 Single-Door Refrigerator

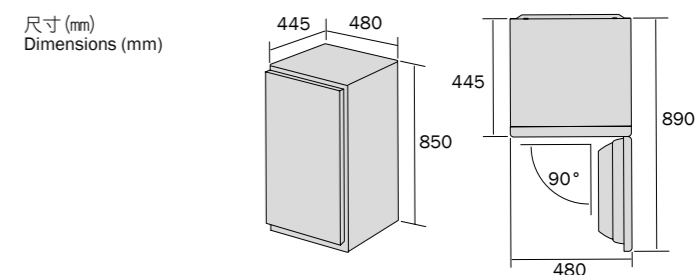


REF-195

- 榮獲香港一級能源標籤認證，保證慳電節能
- 95公升總冷藏容量
- 可選左右門鉸設計
- 1st Class Energy Efficiency Label
- 95 L Capacity
- Choice of left or right hinged door

電壓 Voltage / 頻率 Frequency	220-240 V / 50 Hz			
功率 Power	90 W			
能源效益標籤 Energy Efficiency Label	香港一級能源效益 EEL Grade 1			
總容量 Gross Capacity	95 L			
淨容量 Net Capacity	93 L			

	W (mm)	D (mm)	H (mm)	淨重 Net Weight
產品 Product	480	445	850	20 kg



前置式洗衣機 Front Loader Washing Machine

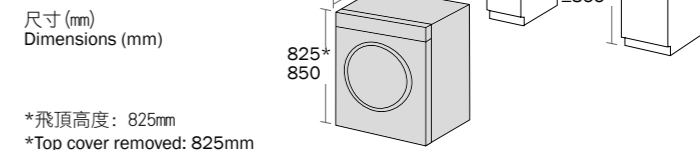


WSR-2714

- 智能變頻摩打
- 最高可達1400 R.P.M. 脫水速度
- 7kg標準洗衣量
- 16大自動洗衣程式
- 靜音模式
- Highly efficient inverted motor
- 1400 R.P.M. max speed spin
- 7 kg maximum load capacity
- 16 automatic laundry programmes
- Quiet Mode

電壓 Voltage / 頻率 Frequency	220-240 V / 50 Hz			
功率 Power	2000 W			
能源效益標籤 Energy Efficiency Label	香港一級能源效益 EEL Grade 1 EU Energy Label A+++			
洗衣效果 Washing Performance Class	A 級 Class			
用水效益標籤 The Water Efficiency Labelling Scheme	1 級 Class			
最高轉速 Maximum Spin Speed	1400 RPM			
洗衣水溫選擇 Washing Temperature	20/30/40/60/90°C/冷水 Cold			
洗衣量 Loading Capacity: Washer	7 kg			

	W (mm)	D (mm)	H (mm)	淨重 Net Weight
產品 Product	595	495	825* 850	61 kg
嵌入 Cutout	≥600	≥500	≥830* ≥855	-



*飛頂高度: 825mm
*Top cover removed: 825mm



小型廚房最佳拍檔 盡用每吋空間

德國寶全新Slim Line系列以超慳位設計，打破一般傳統嵌入式電器600mm機身闊度的侷限，專為小型廚房有限的寶貴空間打造，機身闊度小至450mm，集合多種功能於一身，盡用每一吋空間，帶給您最專業時尚的入廚體驗。

Perfect Solution For The Small Kitchen

German Pool's Slim Line Series is designed especially for the small home. Breaking through the 600mm standard width of built-in appliances, the stylish Slim Line oven and dishwashers are only 450mm in width, freeing up more cabinet space.

嵌入式焗爐
Built-in Oven



EVB-120

嵌入式洗碗碟機
Built-in Dishwasher



DWH-221



DWH-121

德國寶Slim Line系列同時配備305mm嵌入式單頭電陶爐、電磁爐及氣體煮食爐，既可單獨安裝亦可互相組合成不同的煮食爐配搭，靈活自如，方便快捷，烹調更勝一籌。

Slim Line Series also offers 305mm single-hob ceramic, induction and gas built-in cooktops. Install them alone or mix-and-match to suit your individualistic cooking style.

嵌入式煮食爐
Built-In Cooktop



GID-AS28B (1 爐頭 Hob)
嵌入式單頭電陶爐
Built-In Single Hob
Ceramic Cooktop



GIC-CS28B-S (1 爐頭 Hob)
嵌入式單頭電磁爐
Built-In Single Hob
Induction Cooktop



GP12-1 (1 爐頭 Hob)
嵌入式氣單頭體煮食爐
Built-In Single Hob
Gas Cooktop

全港至齊 一站式整體廚房
One-Stop Shop to Build Your Dream Kitchen



完美整體廚房，盡在德國寶一站式廚櫃及嵌入式電器配套，15天到貨*高級訂製櫃服務，由專業團隊、德國進口生產設備，效率、品質兼備；配合一系列至齊全廚房設備，為您締造最時尚、智能的理想廚房！

German Pool offers one-stop-shop professional design & installation service. With From high quality custom cabinets made with Germany-imported machineries to innovative and sophisticated built-in appliances, we can design and custom-built your perfect kitchen for you in 15 days*!



德國寶儲物傢俬系列生產總部佔地約170萬平方呎，採用德國先進技術及設備，以最嚴謹的標準管理生產，更榮獲「ISO9001」品質管制系統認證及「香港Q嘜優質服務計劃」認證；儲物傢俬系列產品皆可進行量身訂製，為你打造最理想家居環境，而德國寶更提供15天到貨承諾*，品質保證，效率最高！

German Pool Storage Furniture Series manufacturing headquarters covers an extensive 1.7 million sq.ft, utilizing the latest German technologies and equipment and manages production with the most stringent standards, achieving the ISO9001 Quality Management certification and the "Hong Kong Q Mark Service Scheme" certification. German Pool, quality assurance you can trust.



本目錄提供的產品尺寸只供參考。就現場環境可能出現之個別限制，我們強烈建議顧客在展開任何工程包括木工及開孔前，先預約德國寶專業技術員上門勘查後決定，一切以現場實際環境條件為準。德國寶對德國寶以外的第三方安裝產品時所造成的任何產品損失或損壞概不負責。

儘管本公司致力於確保本目錄中資料的準確性。對於任何不正確或打印錯誤，德國寶不會承擔任何賠償。本公司保留隨時更新本免責聲明的權利。產品規格及設計如有變更，恕不另行通知。中英文版本如有出入，一概以中文版為準。最新版本以www.germanpool.com網上版為準。

We strongly recommend customers to have our qualified professional technician do an on-site consultation before carrying out any renovation or cut-out carpentry, to ensure product can be properly installed, as every site is different and may have its own physical limitations. German Pool (HK) Ltd. is not liable for any loss or damage occurred through improper measurement or installation of the product/s by parties other than German Pool.

Whilst German Pool endeavors to ensure the accuracy of the Information in this catalogue, German Pool shall bear no liability for any incorrectness or misprint, and reserves the right to update any changes in this disclaimer at any time with or without prior notice. If there is any discrepancy between the English and Chinese versions of this catalogue, the Chinese version shall prevail. Please refer to www.germanpool.com for the most up-to-date version.

德國寶 (香港) 有限公司 GERMAN POOL (HONG KONG) LIMITED

香港 Hong Kong

士瓜灣新寶工商中心地舖
Upper G/F, Newport Centre,
Kowloon
T. +852 2773 2828
☎ +852 9387 2380

九龍灣MegaBox L5-5舖
Shop L5-5, MegaBox,
Kowloon Bay
T. +852 3907 0356
☎ +852 3907 0356

灣仔駱克道置家中心2樓
2/F, iHome Centre,
Lockhart Road, Wan Chai
T. +852 3110 2030
☎ +852 3110 2030

澳門 Macau

俾利喇街寶豐工業大廈
Edifício Industrial Pou Fung,
R. de Francisco Xavier Pereira
T. +853 2875 2699

中國 China

佛山市順德區大良街道五沙新翔路
Xinxiang Road, Wusha, Daliang,
Shunde District, Foshan City,
T. +86 757 2219 6888



© 版權所有。未獲本公司授權，不得翻印、複製或使用本單張作任何商業用途。
© All rights reserved. Copying, reproducing or using the contents of this leaflet is not allowed without prior authorization from German Pool.

www.germanpool.com



德國寶 (香港) German Pool HK



德国宝